



Artisan Technology Group is your source for quality new and certified-used/pre-owned equipment

- FAST SHIPPING AND DELIVERY
- TENS OF THOUSANDS OF IN-STOCK ITEMS
- EQUIPMENT DEMOS
- HUNDREDS OF MANUFACTURERS SUPPORTED
- LEASING/MONTHLY RENTALS
- ITAR CERTIFIED SECURE ASSET SOLUTIONS

SERVICE CENTER REPAIRS

Experienced engineers and technicians on staff at our full-service, in-house repair center

*InstraView*SM REMOTE INSPECTION

Remotely inspect equipment before purchasing with our interactive website at www.instraview.com ↗

WE BUY USED EQUIPMENT

Sell your excess, underutilized, and idle used equipment. We also offer credit for buy-backs and trade-ins. www.artisanng.com/WeBuyEquipment ↗

LOOKING FOR MORE INFORMATION?

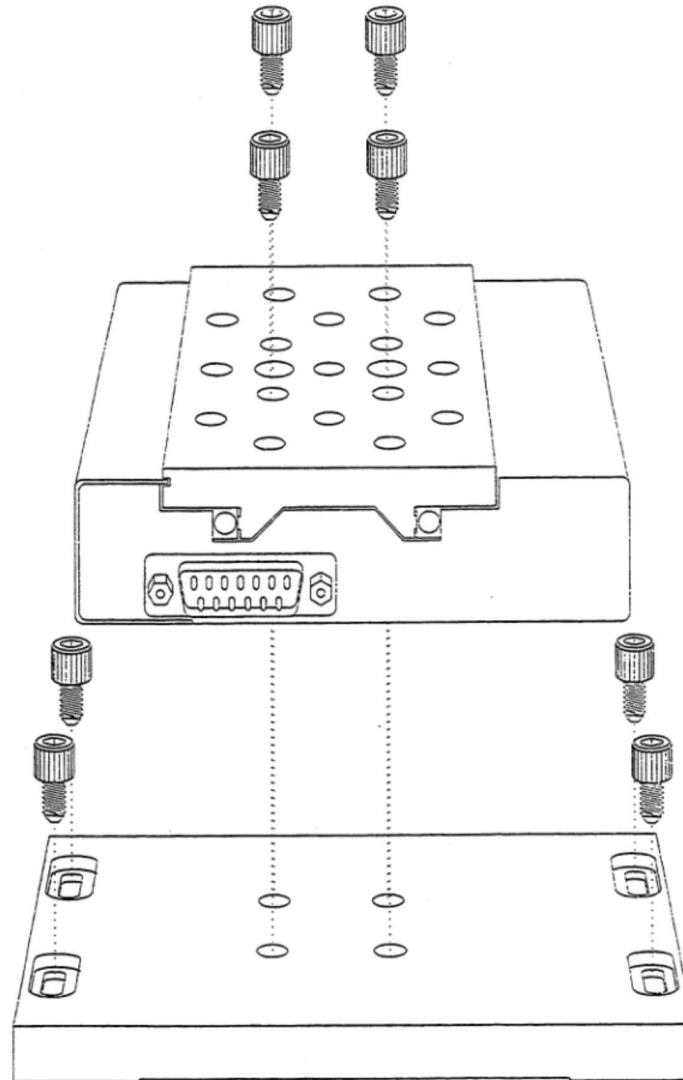
Visit us on the web at www.artisanng.com ↗ for more information on price quotations, drivers, technical specifications, manuals, and documentation

Contact us: (888) 88-SOURCE | sales@artisanng.com | www.artisanng.com

2.5 Mounting PM500-1 linear stages

PM500-1 Linear Stages come with a base plate for bolting the stage directly to the mounting surface (or mounting to the base stage in multistage configurations).

Mounting holes through the stage body are accessible through the carriage by aligning the carriage access holes with the mounting holes. Use the manual knob to move the stage carriage.



2.6 Mounting PM500 linear stages (except PM500-1)

- ➡ ❶ Remove the button-head screws from the side covers running parallel to the stage carriage.
- ➡ Remove the side covers.
- ⇨ Locate the two 1/4-20 or M6 countersunk clearance holes on each side of the stage.

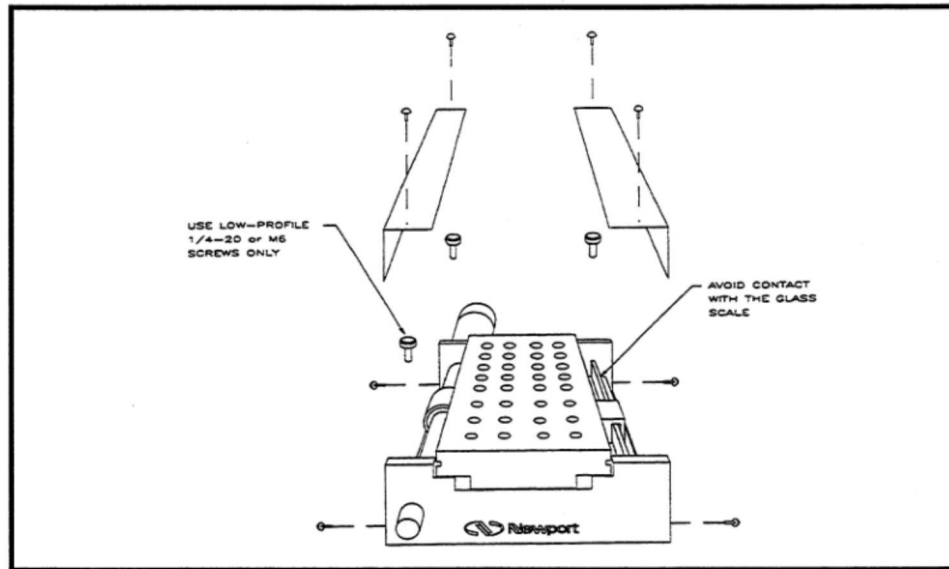


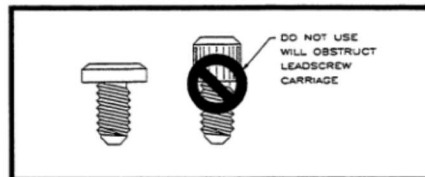
Figure 2.5: Exploded view of linear stage. Use extreme care to avoid contamination of the glass scale.

- ⇨ Replace the covers onto the correct sides. The cover on the scale side has a Teflon low-friction pad on its inner surface to prevent wear of the encoder read-head harness.

CAUTION:



Use only low-profile 1/4-20 or M6 bolts for mounting. Standard socket-head cap screws will interfere with carriage motion, damaging the stage. If these screws are not available to you, contact Newport.





Artisan Technology Group is your source for quality new and certified-used/pre-owned equipment

- FAST SHIPPING AND DELIVERY
- TENS OF THOUSANDS OF IN-STOCK ITEMS
- EQUIPMENT DEMOS
- HUNDREDS OF MANUFACTURERS SUPPORTED
- LEASING/MONTHLY RENTALS
- ITAR CERTIFIED SECURE ASSET SOLUTIONS

SERVICE CENTER REPAIRS

Experienced engineers and technicians on staff at our full-service, in-house repair center

*InstraView*SM REMOTE INSPECTION

Remotely inspect equipment before purchasing with our interactive website at www.instraview.com ↗

WE BUY USED EQUIPMENT

Sell your excess, underutilized, and idle used equipment. We also offer credit for buy-backs and trade-ins. www.artisanng.com/WeBuyEquipment ↗

LOOKING FOR MORE INFORMATION?

Visit us on the web at www.artisanng.com ↗ for more information on price quotations, drivers, technical specifications, manuals, and documentation

Contact us: (888) 88-SOURCE | sales@artisanng.com | www.artisanng.com