



Artisan Technology Group is your source for quality new and certified-used/pre-owned equipment

- FAST SHIPPING AND DELIVERY
- TENS OF THOUSANDS OF IN-STOCK ITEMS
- EQUIPMENT DEMOS
- HUNDREDS OF MANUFACTURERS SUPPORTED
- LEASING/MONTHLY RENTALS
- ITAR CERTIFIED SECURE ASSET SOLUTIONS

SERVICE CENTER REPAIRS

Experienced engineers and technicians on staff at our full-service, in-house repair center

*InstraView*SM REMOTE INSPECTION

Remotely inspect equipment before purchasing with our interactive website at www.instraview.com ↗

WE BUY USED EQUIPMENT

Sell your excess, underutilized, and idle used equipment. We also offer credit for buy-backs and trade-ins. www.artisanng.com/WeBuyEquipment ↗

LOOKING FOR MORE INFORMATION?

Visit us on the web at www.artisanng.com ↗ for more information on price quotations, drivers, technical specifications, manuals, and documentation

Contact us: (888) 88-SOURCE | sales@artisanng.com | www.artisanng.com

Features

- PowerQUICC II[®] MPC8270
- VMEbus interface 32bits
- 128 MByte SDRAM
- 16 MByte FLASH
- 1 MByte SRAM
- 3 x Fast Ethernet ports
- 4 x multi-protocol serial ports
- One 32-bit PMC slot
- RTC & 32 kByte SRAM battery backed up
- CompactFlash
- 2 x S-ATA hard disk drive



VSBC-6872 VME PowerQUICC II Single Board Computer is based on the MPC8270 processor. This processor is rated at 855 DMIPS @ 450 MHz and includes a very efficient SDRAM controller.

One of the key features of this device is the availability of a Quad Integrated Communications Controller (QUICC). It provides a dedicated module containing a RISC CPU and DMA channels for efficiently handling a wide range of standard or proprietary communications protocols.

VME interface

The VSBC-6872 board includes a 32-bit VME interface (rev C) :

- Master : A32/A24/A16/D32/D16/D8, RMW
- Requester : RWD, ROR, FAIR, programmable request level
- Slave : A24/A16/D32/D16/D8, RMW
- Arbiter : SGL, PRI, RRS, prog. timeout
- Handler : D8(O), IH(1-7)
- Interrupter : D8(O), ROAK, I(1-7)
- Bus Timer : BTO(16 to 112)
- Mailbox functionality
- 1 MByte - SRAM shared
- DMA channel¹

Storage features

The VSBC-6872 board provides two media storage possibilities :

- A dual S-ATA hard disk drive. ²
- A CompactFlash extension.

Network and serial communication links

The VSBC-6872 offers a variety of on-board I/O:

- Three integrated Fast Ethernet ports (10BASE-T / 100BASE-TX).
- One RS-232 console is available for user general purpose operations.
- One RS-232, one SPI bus, and one I²C serial links are available on an internal connector.
- Four RS-232 or RS422/485/V.35 serial ports available on the front panel.

Flexible I/O

The board also contains one 32-bit, 33/66MHz PMC³ (PCI Mezzanine Card) site. This site can be used for system I/O, supporting industry-standard PMC cards as interfaces to a wide variety of devices

Software

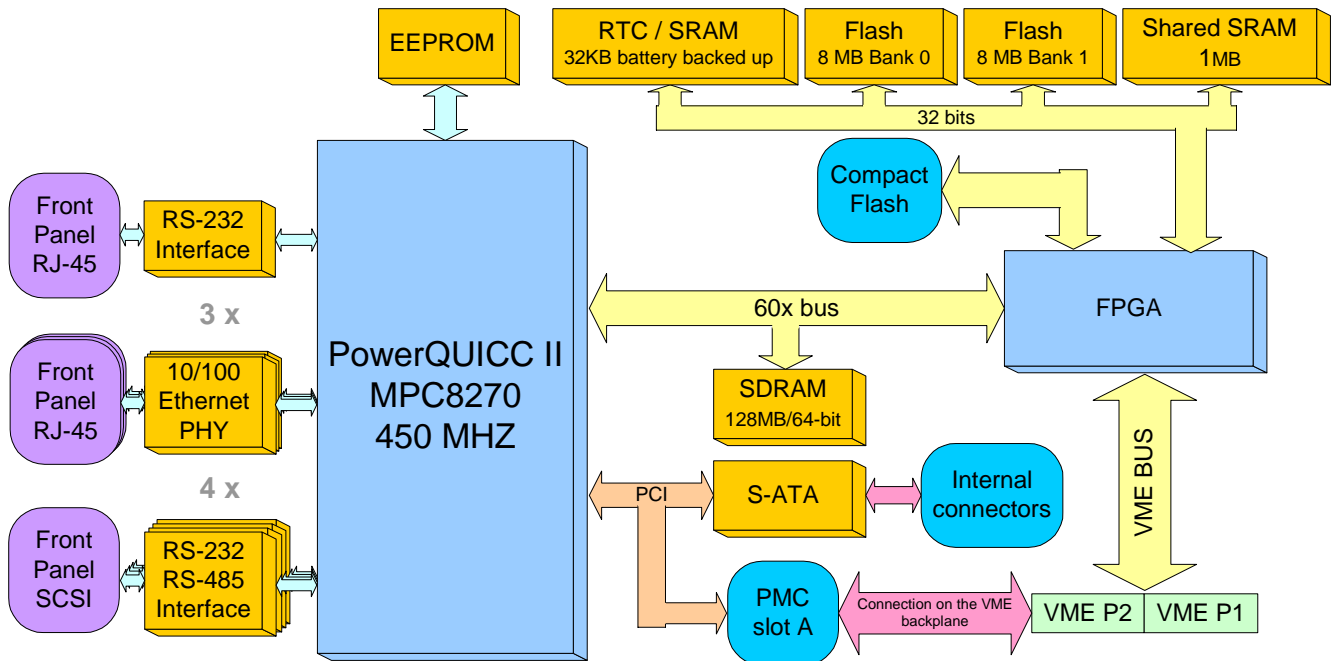
Developers can take advantage of the VSBC-6872's power and performance when running major real-time operating systems (RTOS) or when deploying applications based on the low-cost, open-source Linux[™] operating system. RTOS supported by the VSBC-6872 include VxWorks[®] and others on request.

Note 1 : The VME DMA channel is a functionality developed by Actis Computer. It allows data transfer between the shared SRAM and an address on the VME bus.

Note 2 : Not available in industrial temperature.

Note 3 : Dependant on the MPC8270 settings





Features

- Motorola PowerQUICC II[®] MPC8270
- 855 DMIPS @ 450 MHz
- Up to 256 MByte SDRAM
- Up to 32 MByte FLASH
- Up to 2MByte shared SRAM

Communication

- Three Fast Ethernet ports on the front panel
- One RS-232 console port on the front panel
- One RS-232 auxiliary serial port on an internal connector.
- Four high-speed serial port supporting RS-232/422/485 mode on the front panel.

Storage

- CompactFlash
- Dual S-ATA hard disk interface (S-ATA 1.0)

Peripherals

- Real-time clock & 32 kByte SRAM battery backed up
- I2C memory

JTAG port

One internal connector for direct access to the processor with third party tool.

VME interface

- Master : A32/A24/A16/D32/D16/D8
- Requester : RWD, ROR, FAIR, programmable request level
- Slave : A24/A16/D32/D16/D8
- Arbiter : SGL, PRI, RRS
- Handler : IH(1-7)
- Interrupter: I(1-7)
- Bus Timer : BTO()
- Mailbox functionality
- One DMA channel¹

IEEE1386.1 slot

- One 32-bit PMC slot
- Up to 66 MHz compatible³

Environmental

Operating

- Commercial : 0 to +70 °C
- Industrial : -25°C to +85°C

Non-operating : -40°C to 85 °C

Airflow requirement	10 CFM
Relative Humidity	0 to 90 % (non-cond.)
Altitude	0 to 10'000 ft

Environmental

Dimensions	6.3 in x 9.2 in
Power	TBD
Vibration	0.5G RMS 20-2000 Hz random
Shock	20 G, 11 ms, ½ sine

ACTIS Computer SA

19 ch. Du Champ-des-Filles
CH - 1228 Plan-Les-Ouates, Switzerland
Tel: +41 (22) 706 1830
Fax: +41 (22) 794 4391

ACTIS Computer Inc

6202 South Maple Ave, Suite 120
Tempe, Arizona 85283, USA
Tel: (480) 838 1799
Fax: (480) 838 4477

Distributed by:

For ordering information, please visit our web site at www.actis-computer.com

PowerQUICC[®] is a registered trademark of Motorola Corp. Other products mentioned may be trademarks or registered trademarks of their respective holders. ACTIS Computer believes this information is accurate as of its publication date and is not responsible for any inadvertent errors. The information contained herein is subject to change without notice.
Copyright © 2003 ACTIS Computer.

Edition 1.8



Artisan Technology Group is your source for quality new and certified-used/pre-owned equipment

- FAST SHIPPING AND DELIVERY
- TENS OF THOUSANDS OF IN-STOCK ITEMS
- EQUIPMENT DEMOS
- HUNDREDS OF MANUFACTURERS SUPPORTED
- LEASING/MONTHLY RENTALS
- ITAR CERTIFIED SECURE ASSET SOLUTIONS

SERVICE CENTER REPAIRS

Experienced engineers and technicians on staff at our full-service, in-house repair center

*InstraView*SM REMOTE INSPECTION

Remotely inspect equipment before purchasing with our interactive website at www.instraview.com ↗

WE BUY USED EQUIPMENT

Sell your excess, underutilized, and idle used equipment. We also offer credit for buy-backs and trade-ins. www.artisanng.com/WeBuyEquipment ↗

LOOKING FOR MORE INFORMATION?

Visit us on the web at www.artisanng.com ↗ for more information on price quotations, drivers, technical specifications, manuals, and documentation

Contact us: (888) 88-SOURCE | sales@artisanng.com | www.artisanng.com