



Artisan Technology Group is your source for quality new and certified-used/pre-owned equipment

- FAST SHIPPING AND DELIVERY
- TENS OF THOUSANDS OF IN-STOCK ITEMS
- EQUIPMENT DEMOS
- HUNDREDS OF MANUFACTURERS SUPPORTED
- LEASING/MONTHLY RENTALS
- ITAR CERTIFIED SECURE ASSET SOLUTIONS

SERVICE CENTER REPAIRS

Experienced engineers and technicians on staff at our full-service, in-house repair center

*InstraView*SM REMOTE INSPECTION

Remotely inspect equipment before purchasing with our interactive website at www.instraview.com ↗

WE BUY USED EQUIPMENT

Sell your excess, underutilized, and idle used equipment. We also offer credit for buy-backs and trade-ins. www.artisanng.com/WeBuyEquipment ↗

LOOKING FOR MORE INFORMATION?

Visit us on the web at www.artisanng.com ↗ for more information on price quotations, drivers, technical specifications, manuals, and documentation

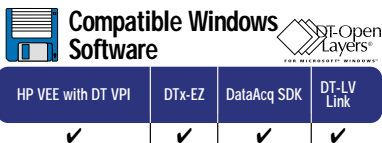
Contact us: (888) 88-SOURCE | sales@artisanng.com | www.artisanng.com

DT21-EZ Series

**General Purpose Multifunction
Boards for the ISA Bus**

Key Features

- High-accuracy design preserves data integrity
- Channel-gain list for non-sequential channel sampling
- Low-level input version for use with thermocouples
- Software-compatible with DT2821 Series of data acquisition boards
- Extensive Windows software support



M4572

The Right Data Acquisition Solution

The DT21-EZ Series gives you the right tools for most data acquisition applications: Eight or 16 analog input channels with 12 or 16 bits of resolution and throughputs up to 100 kSamples/second, 16 lines of digital I/O, and optional analog outputs. All four versions include a 16 location channel-gain list that allows scanning of channels with different gains or in non-sequential order. Dual-channel DMA ensures continuous gap-free data acquisition even at maximum board speeds. Extensive software support is available for both Windows and DOS. The DT21-EZ is software compatible with the DT2821, and the DT24-EZ is software compatible with the DT2824, so existing applications can be easily ported to the new products.

High Accuracy Analog Design Assures High Integrity Results

Your results can be no better than the data you start with. The DT21-EZ Series was meticulously designed to deliver your real-world data with accuracy. The DT21-EZ Series reflects our more than twenty years of experience designing accurate, reliable data acquisition products.

Low-Level Inputs, Thermocouple Solution

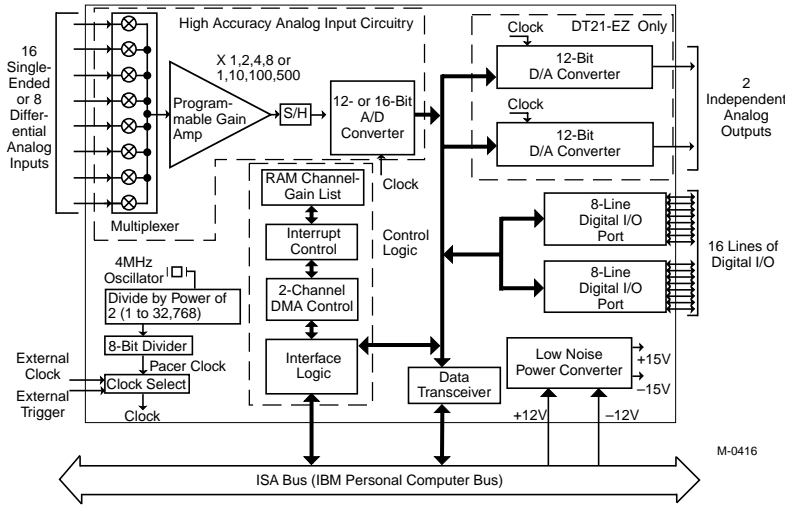
The DT24-EZ-PGL provides low-level input capabilities, with software-programmable gains up to 500 to measure signals as low as 10 mV with full 12-bit resolution. Combined with the STP-EZ-T screw terminal panel and HP VEE for Windows software, these products provide an accurate, easy-to-use method for measuring up to seven thermocouples.

Accessories

The STP-EZ can be used with the DT21-EZ to provide convenient screw terminal connections. The 5B Series backplanes can be connected to the STP-EZ for applications that require isolated signal conditioning. Anti-aliasing filtering is available with the AAF-3 high-performance modular filters with programmable cut-off frequencies.

Comprehensive Windows Software

HP VEE with DT VPI data acquisition interface combines the ease-of-use of a visual programming language with the power of a text-based language. Programmers can choose DTx-EZ ActiveX controls for Visual Basic and Visual C++ or DataAcq SDK™ for C. LabVIEW® programmers can control the DT21-EZ Series through DT-LV Link™



DT21-EZ Series Block Diagram

Analog Inputs

	DT21-EZ	DT23-EZ	DT24-EZ	DT24-EZ-PGL
Resolution	12 bits	16 bits	12 bits	12 bits
Throughput				
Single Channel	100 kS/s	100 kS/s	100 kS/s	100 kS/s
Channel Scan	80 kS/s	50 kS/s	80 kS/s	80 kS/s, Gain=1, 10 2.5 kS/s, Gain=100, 500
Input Channels	16SE/8DI	16SE/8DI	16SE/8DI	16SE/8DI
Channel Selection				
Any Channel Singly	4	4	4	4
Random Channel Scan	4	4	4	4
Input Ranges				
Software-Programmable Gains	1,2,4,8	1,2,4,8	1,2,4,8	1,10,100,500
Per-Channel Gain Selection	16-element channel-gain list	16-element channel-gain list	16-element channel-gain list	16-element channel-gain list
Ranges (including gain)	0-1.25,2.5,5,10 V ±1.25,2.5,5,10 V	— ±1.25,2.5,5,10 V	0-1.25,2.5,5,10 V ±1.25,2.5,5,10 V	0-0.01,0.02,0.05, 0.1,0.5,1,5,10 V ±0.01,0.02,0.05, 0.1,0.5,1,5,10 V
Overvoltage Protection	±35 V on, ±20 V off	±35 V on, ±20 V off	±35 V on, ±20 V off	±35 V on, ±20 V off
ESD Protection	to 1.5 kV	to 1.5 kV	to 1.5 kV	to 1.5 kV
Accuracy				
System Error (Gain=1) Max (Gain=500)	±0.05% FSR	±0.01% FSR	±0.05% FSR	±0.05% ±0.10%
Effective Number of Bits	11	13	11	11

Analog Outputs (DT21-EZ only)

Resolution	12 bits	Ranges	0-5 V, 0-10 V; ±2.5 V, ±5 V, ±10 V
Output Channels	2 independent DACs	Accuracy	.03%
Throughput	130 kS/s/DAC, 260 kS/s aggregate		

Specifications

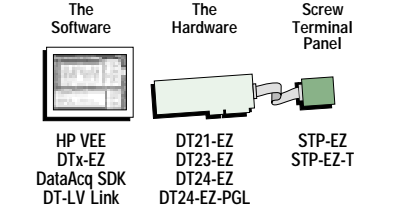
	DIGITAL I/O	clock; onboard or external oscillator; software or external hardware trigger	simultaneous A/D & D/A operation supported (DT21-EZ only)	+12 V @ 170 mA [54 mA], -12 V @ 75 mA [19 mA]; low-noise ±15 V generated onboard to power analog circuits
Number of Lines	16, organized as two groups of 8 that can be set for input or output			
Fanout	30 LSTTL loads			
Input Load	One LSTTL load			
OPERATION				
Triggers and Clocks	One programmable			
Data Transfer	Programmed I/O, single-channel DMA, and dual-channel DMA; both DMA modes support Continuous Performance gap-free operation;			
GENERAL				
Interface	ISA Bus; I/O-mapped, 10-bit I/O address; 16-bit data path; 1 or 2 DMA channels; interrupt			
Power Requirements*	+5 V @ 1.1 A [0.8A],			

DT21-EZ Series (DataAcq-EZ™)

BUS: ISA
Type: General Purpose, Multifunction

Ordering Summary

All Data Translation products are covered by a 1-year warranty. For pricing information, see a current price list, visit our web site, or contact your local reseller.



Hardware
All boards are shipped with a comprehensive user manual, software diagnostics, and a Microsoft Windows and DT-Open Layers compliant software driver.

- DT21-EZ—80 kS/s, 12-bit A/D; two 12-bit DACs
- DT23-EZ—50 kS/s, 16-bit A/D; no DACs
- DT24-EZ—80 kS/s, 12-bit A/D; no DACs
- DT24-EZ-PGL—Low-level 12-bit A/D, gains of 1,10,100, 500; no DACs

Software

The following products include a copy of the software, a single-user license, and a user manual. All software is supplied on CD-ROM, except as noted.

- HP VEE with DT VPI visual programming software Version 5.0 for Windows 95/98 SP1950-CD
- DTx-EZ visual programming tools for Visual Basic and Visual C++ for Windows 95/98 SP0970-CD
- DataAcq SDK Software Development Kit for Windows 95/98 SP0945-CD
- DT-LV Link data acquisition connection to LabVIEW for Windows 95/98, on 3.5 in. 1.4 MB disk SP0810-CL

Accessories

- STP-EZ (DT780)—Screw terminal panel and cable; use with any DT21-EZ Series model
- STP-EZ-T (DT780-T)—Screw terminal panel and cable for thermocouple measurement; use with DT24-EZ-PGL
- STP50-DIN—50-pin DIN-rail mountable screw terminal panel
- 5B Series—Modular signal conditioning
- AAF-3—Anti-aliasing filters

© 1999, Data Translation, Inc. All rights reserved. All trademarks are the property of their respective holders. Prices and specifications subject to change without notice. 13483-9



DT21-EZ:
11.43 x 33.66 x 2.54 cm
Other models:
11.43 x 21.59 x 2.54 cm
Temperature—operating: 0 to 55° C; storage: -25 to 85° C
Relative Humidity—to 90%, non-condensing

Fully Software Compatible with—
DT21-EZ compatible with DT2821;
DT24-EZ compatible with DT2824-PGH;
DT24-EZ-PGL with DT2824-PGL
EMI Compliance—all models are FCC Class A verified; will not compromise FCC compliance of host

*Values in [brackets] apply to DT23-EZ, DT24-EZ, and DT24-EZ-PGL only.



Artisan Technology Group is your source for quality new and certified-used/pre-owned equipment

- FAST SHIPPING AND DELIVERY
- TENS OF THOUSANDS OF IN-STOCK ITEMS
- EQUIPMENT DEMOS
- HUNDREDS OF MANUFACTURERS SUPPORTED
- LEASING/MONTHLY RENTALS
- ITAR CERTIFIED SECURE ASSET SOLUTIONS

SERVICE CENTER REPAIRS

Experienced engineers and technicians on staff at our full-service, in-house repair center

*InstraView*SM REMOTE INSPECTION

Remotely inspect equipment before purchasing with our interactive website at www.instraview.com ↗

WE BUY USED EQUIPMENT

Sell your excess, underutilized, and idle used equipment. We also offer credit for buy-backs and trade-ins. www.artisanng.com/WeBuyEquipment ↗

LOOKING FOR MORE INFORMATION?

Visit us on the web at www.artisanng.com ↗ for more information on price quotations, drivers, technical specifications, manuals, and documentation

Contact us: (888) 88-SOURCE | sales@artisanng.com | www.artisanng.com