



Artisan Technology Group is your source for quality new and certified-used/pre-owned equipment

- FAST SHIPPING AND DELIVERY
- TENS OF THOUSANDS OF IN-STOCK ITEMS
- EQUIPMENT DEMOS
- HUNDREDS OF MANUFACTURERS SUPPORTED
- LEASING/MONTHLY RENTALS
- ITAR CERTIFIED SECURE ASSET SOLUTIONS

SERVICE CENTER REPAIRS

Experienced engineers and technicians on staff at our full-service, in-house repair center

*InstraView*SM REMOTE INSPECTION

Remotely inspect equipment before purchasing with our interactive website at www.instraview.com ↗

WE BUY USED EQUIPMENT

Sell your excess, underutilized, and idle used equipment. We also offer credit for buy-backs and trade-ins. www.artisanng.com/WeBuyEquipment ↗

LOOKING FOR MORE INFORMATION?

Visit us on the web at www.artisanng.com ↗ for more information on price quotations, drivers, technical specifications, manuals, and documentation

Contact us: (888) 88-SOURCE | sales@artisanng.com | www.artisanng.com

TSX-1D Series Fast-Drive Dovetail Stages



- Unique preloaded dovetail slide design
- Rapid positioning
- Adjustable from two sides
- Hex-head lock design

TSX-1D Series Dovetail Stage offers a fast-drive 20-TPI lead screw for rapid linear positioning in a variety of applications. Smooth travel is obtained with a precision dovetail slide, preloaded to provide the stability required for laboratory applications. The stage features a precision lead screw drive for coarse/fine positioning, and can be securely locked in place by accessing the side-mounted set screw.

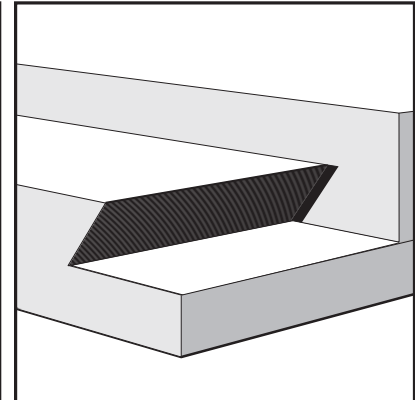
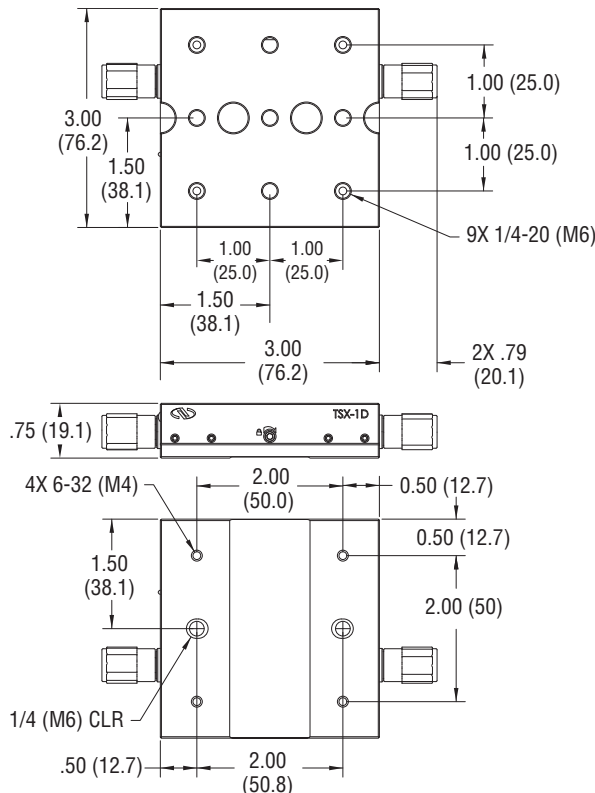
Specifications

Maximum Stage Travel [in. (mm)]	1.00 (25)
Sensitivity (μm)	4
Max Centered Load [lb (N)]	25 (111)
Load Capacity, Vertical [lb (N)]	5 (22)

Ordering Information

Model (Metric)	Description
TSX-1D (M-TSX-1D)	Dovetail Linear Stage, 1.0 inch Travel, 1/4-20

Model TSX-1D



Dovetail slides provide the simplest of all movements. Consists of two precision ground flat surfaces sliding against each other.

CAD See our website for CAD files

MANUAL LINEAR STAGES
VERTICAL POSITIONING
MANUAL ROTATION AND TILT STAGES
MANUAL ACTUATORS
MANUAL FIBER ALIGNMENT STAGES



Artisan Technology Group is your source for quality new and certified-used/pre-owned equipment

- FAST SHIPPING AND DELIVERY
- TENS OF THOUSANDS OF IN-STOCK ITEMS
- EQUIPMENT DEMOS
- HUNDREDS OF MANUFACTURERS SUPPORTED
- LEASING/MONTHLY RENTALS
- ITAR CERTIFIED SECURE ASSET SOLUTIONS

SERVICE CENTER REPAIRS

Experienced engineers and technicians on staff at our full-service, in-house repair center

*InstraView*SM REMOTE INSPECTION

Remotely inspect equipment before purchasing with our interactive website at www.instraview.com ↗

WE BUY USED EQUIPMENT

Sell your excess, underutilized, and idle used equipment. We also offer credit for buy-backs and trade-ins. www.artisanng.com/WeBuyEquipment ↗

LOOKING FOR MORE INFORMATION?

Visit us on the web at www.artisanng.com ↗ for more information on price quotations, drivers, technical specifications, manuals, and documentation

Contact us: (888) 88-SOURCE | sales@artisanng.com | www.artisanng.com