



Artisan Technology Group is your source for quality new and certified-used/pre-owned equipment

- FAST SHIPPING AND DELIVERY
- TENS OF THOUSANDS OF IN-STOCK ITEMS
- EQUIPMENT DEMOS
- HUNDREDS OF MANUFACTURERS SUPPORTED
- LEASING/MONTHLY RENTALS
- ITAR CERTIFIED SECURE ASSET SOLUTIONS

SERVICE CENTER REPAIRS

Experienced engineers and technicians on staff at our full-service, in-house repair center

*InstraView*SM REMOTE INSPECTION

Remotely inspect equipment before purchasing with our interactive website at www.instraview.com ↗

WE BUY USED EQUIPMENT

Sell your excess, underutilized, and idle used equipment. We also offer credit for buy-backs and trade-ins. www.artisanng.com/WeBuyEquipment ↗

LOOKING FOR MORE INFORMATION?

Visit us on the web at www.artisanng.com ↗ for more information on price quotations, drivers, technical specifications, manuals, and documentation

Contact us: (888) 88-SOURCE | sales@artisanng.com | www.artisanng.com



SD3000 PLUS DC Drive Regulator

Class 1 LED Product



ATTENTION: Hazard of permanent eye damage exists when using optical transmission equipment. This product emits intense light and invisible radiation. Do not look into module ports or fiber optic cable connectors.



ATTENTION: Energized industrial control equipment can be hazardous. Severe injury or death can result from electrical shock, burn, or unintended actuation of controlled equipment. Hazardous voltages may exist in the cabinet even with the circuit breaker in the off position. Recommended practice is to disconnect and lock out control equipment from power sources, and discharge stored energy in capacitors, if present. If it is necessary to work in the vicinity of energized equipment, the Safety Related Practices of NFPA 70E, "ELECTRICAL SAFETY FOR EMPLOYEE WORKPLACES" must be followed. DO NOT work alone on energized equipment!



ATTENTION: The installation of the drive must be planned such that all cutting, drilling, tapping and welding can be accomplished with the drive removed from the enclosure. The drive is of the open type construction and any metal debris must be kept from falling into the drive. Metal debris or other foreign matter may become lodged in the drive circuitry resulting in component damage.

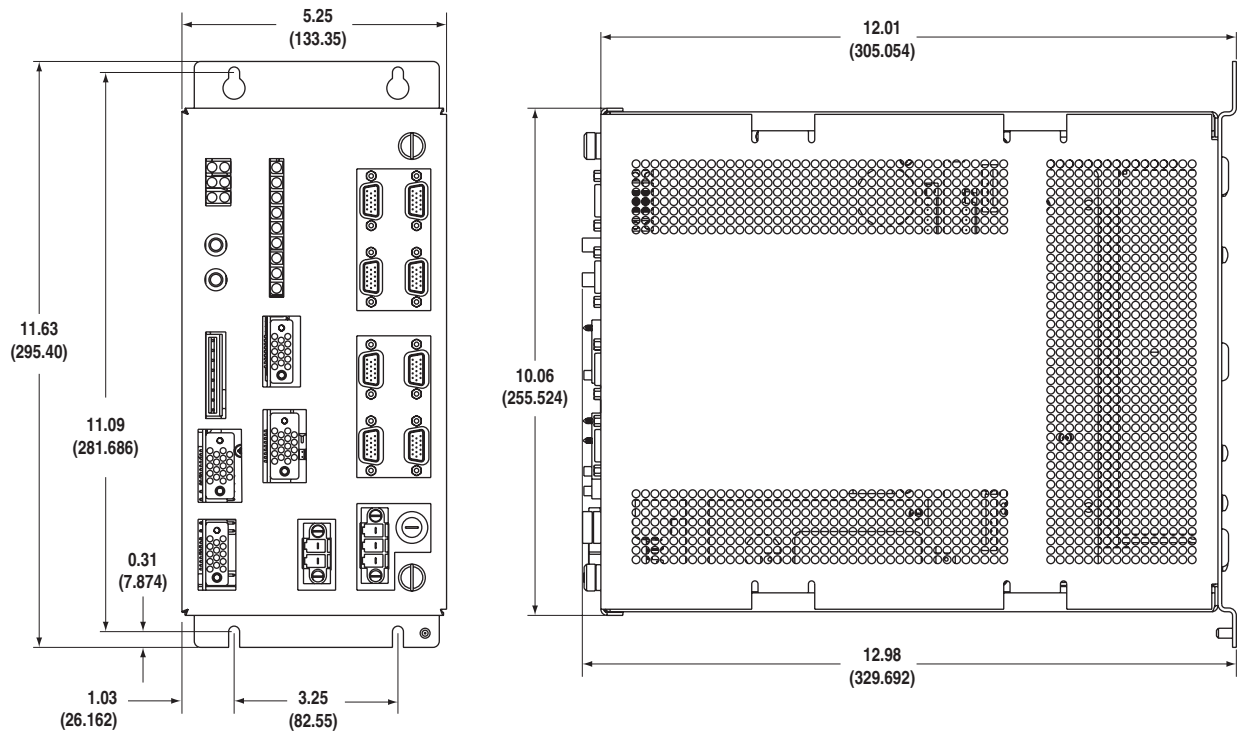


ATTENTION: An incorrectly applied or installed drive can result in component damage or a reduction in product life. Wiring or application errors, such as, undersizing the motor, incorrect or inadequate AC supply, or excessive ambient temperatures may result in malfunction of the system.



ATTENTION: Only qualified personnel familiar with DC drives and associated machinery should plan or implement the installation, start-up and subsequent maintenance of the system. Failure to comply may result in personal injury and/or equipment damage.

Dimensions



Dimensions are in inches and (millimeters).

| Weight <i>kg (lbs.)</i> | |
|-------------------------|-----------------------------|
| Drive Regulator | Drive Regulator & Packaging |
| 7.03 (15.5) | 7.71 (17.0) |

Important: Allow at least 4.5 inches (114.3 mm) for connectors and cable bend radius in front of unit.

Connecting Power Wiring and Grounding

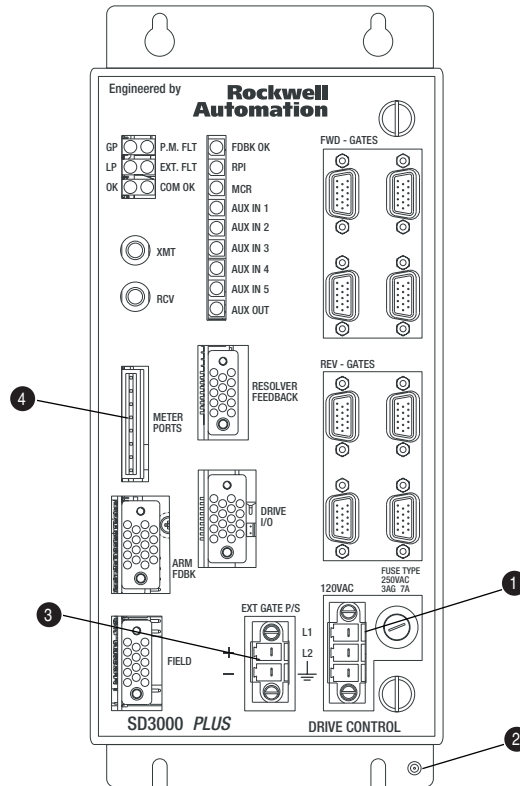


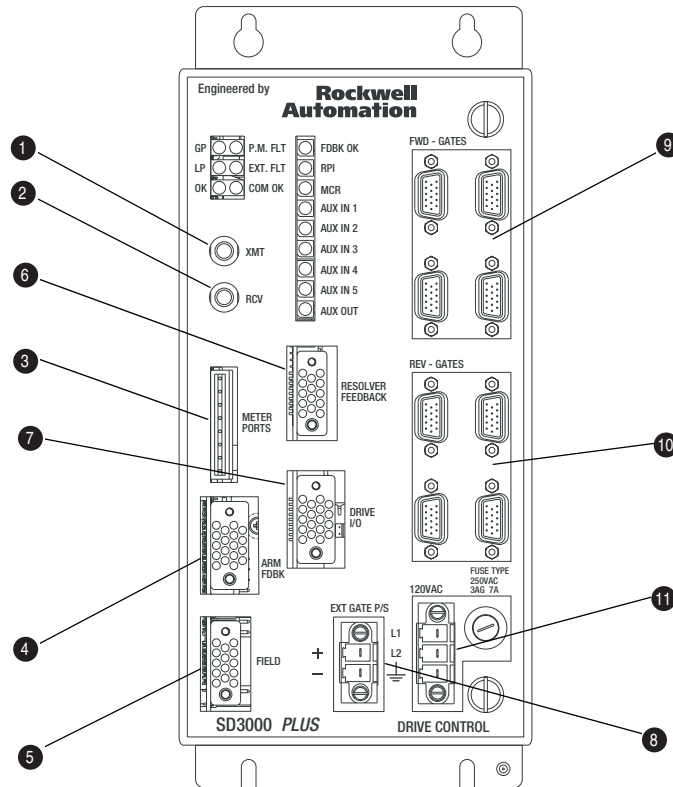
Table 1.A Terminal Specifications

| No. | Name | Description | Part Number for Customer Plug (provided with SD3000 PLUS) | Wire Size Range | | Torque |
|-----|---|--------------------------------------|--|--|--|-----------------------------|
| | | | | Maximum | Minimum | Recommended |
| 1 | Input Power Terminal Block L1, L2, Ground | Input power | 94809302 | 4.0 mm ² (10 AWG) | 2.5 mm ² (14 AWG) | 0.677909 N-m (6 lb.-in.) |
| 2 | Ground Stud | Chassis Ground | Use grounding cable kit 97297501 provided with regulator | | | |
| 3 | External Gate Power Supply | External Gate Power Supply (if used) | 94809301 | 10 AWG, Twisted Pair, 2 Twists / in. | 18 AWG, Twisted Pair, 2 Twists / in. | 0.677909 N-m (6 lb.-in.) |
| 4 | Meter Ports | Meter Port Output | 49455-115H | 14 AWG, Twisted Pair, 2 Twists / in. 13feet (4m) max. length | 22 AWG, Twisted Pair, 2 Twists / in. 13feet (4m) max. length | 0.677909 N-m (6 lb.-in.) |

Connecting Control Wiring Class 1 LED Product



ATTENTION: Hazard of permanent eye damage exists when using optical transmission equipment. This product emits intense light and invisible radiation. Do not look into module ports or fiber optic cable connectors.

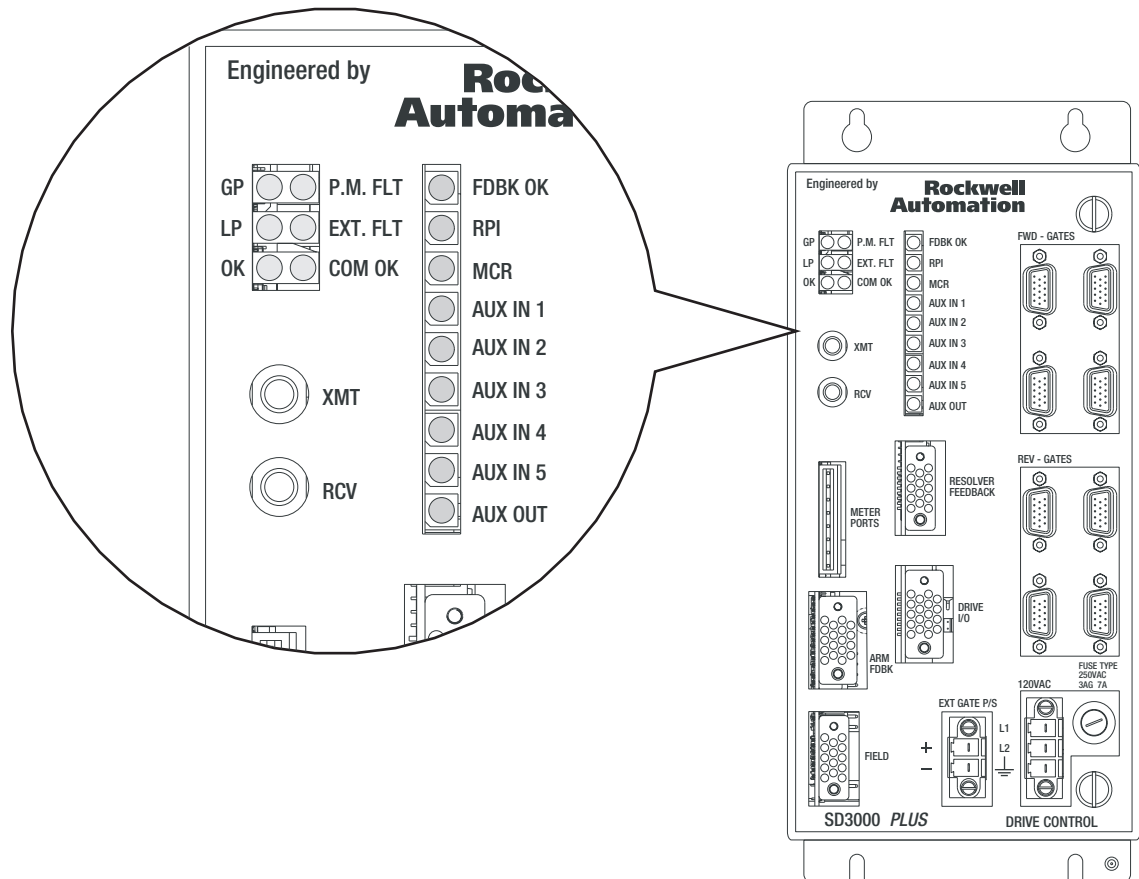


| No. | Description | Connects to | Use Cable Number |
|-----|--|---|--|
| 1 | XMIT – Fiber optic transmit port | The Drive Comm receive port on the 1756-DMD30, ControlLogix Drive Module | <ul style="list-style-type: none"> 1756-DMCF001 – 1 meter Drive Comm cable 1756-DMCF003 – 3 meter Drive Comm cable 1756-DMCF010 – 10 meter Drive Comm cable 1756-DMCF030 – 30 meter Drive Comm cable 1756-DMAF - adapter for existing UDC/PMI cable |
| 2 | RCV - Fiber optic receive port | The Drive Comm transmit port on the 1756-DMD30, ControlLogix Drive Module | |
| 3 | METER PORTS – Four analog outputs for the monitor of internal registers | Analog meters or analog inputs of a monitoring device | 14-22 AWG, twisted pair, 2 twists per inch. |
| 4 | ARM FDBK – Voltage, Current and Phasing feedback | Scaling Module, Current Transformers and Phasing Transformer | Cbl, Arm Fdbk/Pwr_Mod <ul style="list-style-type: none"> SD3K-CBLSCLR048 – 4 foot length SD3K-CBLSCLR060 – 5 foot length SD3K-CBLSCLR096 – 8 foot length (97305800 to view drawing for additional lengths) |
| 5 | FIELD – Field Gate signals and Current Feedback | Field Power Module | Cable,Fld Gate/Fdbk <ul style="list-style-type: none"> SD3K-CBLFLD060 – 5 foot length (97306200 to view drawing for additional lengths) |
| 6 | RESOLVER FEEDBACK – Resolver and One input for analog feedback (analog tachometer, if used or other analog signal) | Resolver, Analog Tachometer or other Analog source | Cable,Rslvr/Anlg, DIN TB <ul style="list-style-type: none"> SD3K-CBLRSLVR060 – 5 foot length SD3K-CBLRSLVR096 – 8 foot length (97305600 to view drawing for additional lengths) |

| No. | Description | Connects to | Use Cable Number |
|-----|---|--|---|
| 7 | DRIVE I/O – 120VAC Drive Command / Control Inputs | <ul style="list-style-type: none"> • RPI – Run Permissive Input • MCR – Output to control M Contactor • Auxiliary Input 1 – M Contactor feedback • Auxiliary Input 2 – Inverting fault circuit breaker (if circuit breaker is used) • Auxiliary Input 3 – Power module thermal interlock • Auxiliary Input 4 – Motor thermal switch • Auxiliary Input 5 – (spare) | Cable, Drive I/O, DIN TB <ul style="list-style-type: none"> • SD3K-CBLDRVIO060 – 5 foot length • SD3K-CBLDRVIO096 – 8 foot length (97305700 to view drawing for additional lengths) |
| 8 | EXT GATE P/S – External Gate Power Supply | External Gate 48V Power Supply Contact Development for interlocking guidelines | 18 AWG minimum, twisted pair, 2 twists per inch |
| 9 | FWD GATES – Armature Forward Gates | Four forward gate outputs to provide gate signals for up to four power modules All four outputs are identical | Cable, “Round Style” Connector, Fwd Gates <ul style="list-style-type: none"> • SD3K-CBLFWDP060 – 5 foot length • SD3K-CBLFWDP120 – 10 foot length • SD3K-CBLFWDP180 – 15 foot length • SD3K-CBLFWDP240 – 20 foot length (97305100 to view drawing for additional lengths) |
| 10 | REV GATES - Armature Reverse Gates | Four reverse gate outputs to provide gate signals for up to four power modules. All four outputs are identical | Cable, “Round Style” Connector, Rev Gates <ul style="list-style-type: none"> • SD3K-CBLREVPM060 – 5 foot length • SD3K-CBLREVPM120 – 10 foot length • SD3K-CBLREVPM180 – 15 foot length • SD3K-CBLREVPM240 – 20 foot length (97305300 to view drawing for additional lengths) |
| 11 | 120VAC – Power input to regulator | Cabinet control power | 10-14 AWG |

Note: Refer to part drawing for additional cable lengths.

Checking the Indicators



| LED | Indicates |
|----------|--|
| GP | Gate Power is present |
| LP | Logic Power is present |
| OK | The drive regulator has passed its internal power-up diagnostic tests. After power-up this LED will turn off if the internal "watchdog timer" fault occurs. |
| P.M. FLT | Shorted SCR, Field Current Feedback too low or too high. |
| EXT. FLT | Loss of AC Line Synchronization, AC Line Missing, Instantaneous Over-Current (IOC), Over-speed, User program has initiated the illumination of the LED. |
| COMM OK | Drive Comm is active and synchronized. |
| FDBK OK | The SD3000 Plus is receiving feedback from the resolver and no resolver feedback faults have been detected. If the LED is off, one of the following faults may have occurred: <ul style="list-style-type: none"> Feedback Loss Fault - armature voltage has exceeded 40% of the rated value and speed feedback has been less than 5% of motor base speed Broken Wire Fault - a resolver sine or cosine signal is missing |
| RPI | The Run Permissive Input (RPI) is energized. |
| AUX IN 1 | Auxiliary Input 1 is energized. This input usually indicates the status of the M-Contactor. |
| AUX IN 2 | Auxiliary Input 2 is energized. This input often indicates the status of an inverting fault circuit breaker. |
| AUX IN 3 | Auxiliary Input 3 is energized. This input often indicates the status of the Power Module's airflow switch. |
| AUX IN 4 | Auxiliary Input 4 is energized. This input often indicates the status of the motor thermal switch. |
| AUX IN 5 | Auxiliary Input 5 is energized. |
| AUX OUT | Auxiliary Output is energized. |

Related Products and Documentation

Allen-Bradley and Reliance Electric publications are available on the internet at www.rockwellautomation.com/literature.

| Catalog number: | Document title: | Pub. number: |
|-----------------|---|---------------|
| 1756-DM | ControlLogix Drive Module Installation Instructions | 1756-IN577... |
| 1756-DM | ControlLogix Drive Module User Manual (All Types) | 1756-UM522... |
| 1756-DMD30 | Reference Manual - ControlLogix Drive Module (SD3000 Interface) | 1756-RM088... |

Specifications

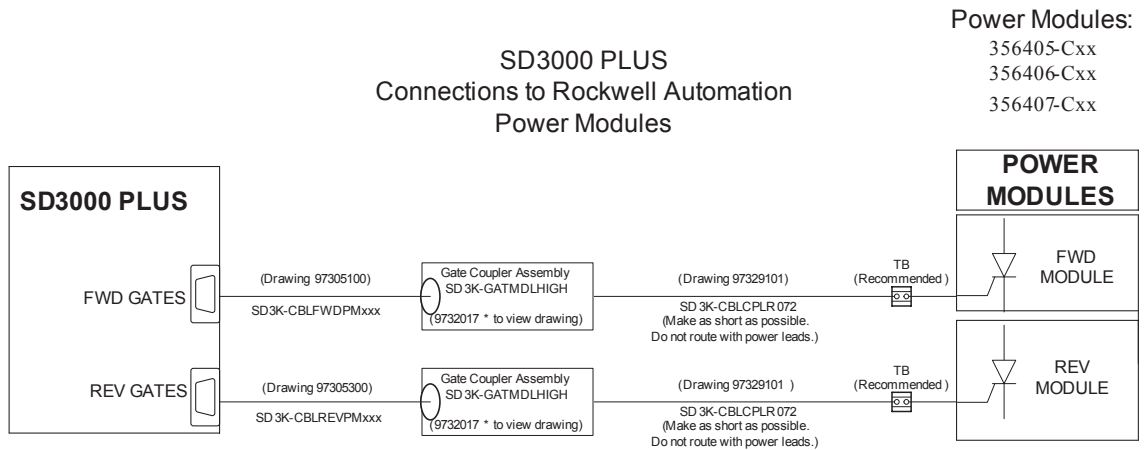
Electrical

Control Input 120V ac ±10%, 2.2A, 47-63 Hz
 Replacement fuse Littelfuse 312007, 7Amp, 250 V ac, 3AG or equivalent.

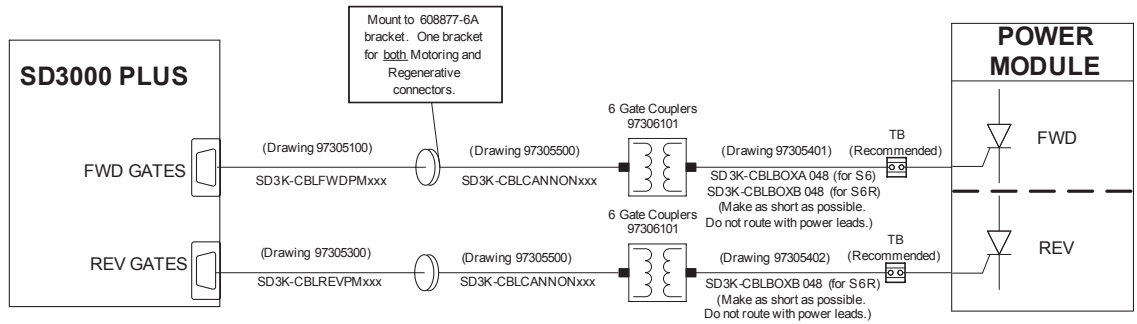
Environmental

Operating Temperature 0 C to 50 C (32 F to 122 F)
 Storage Temperature -40 C to 70 C (-40 F to 158 F)
 Relative Humidity 5% to 95%, Non-condensing

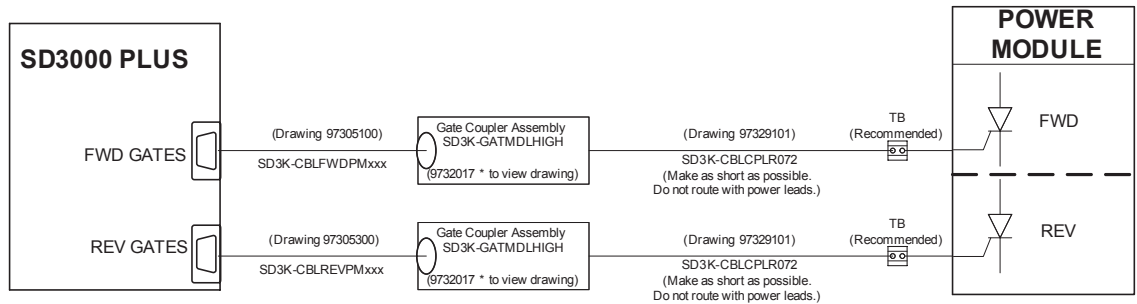
Gate Hardware Overview



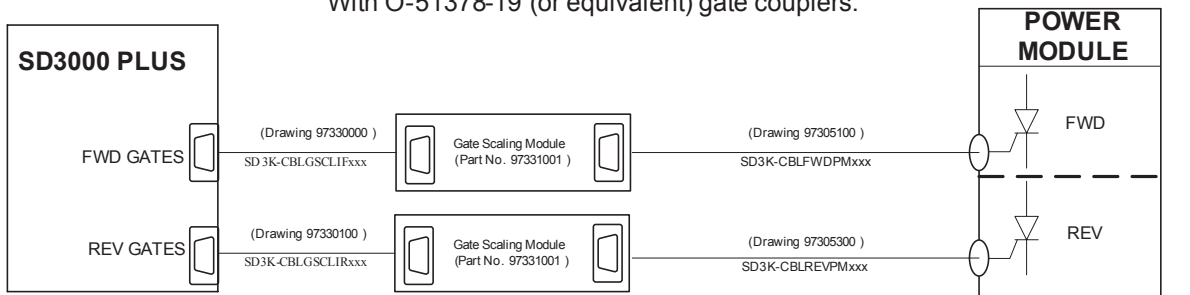
SD3000 PLUS Retrofit of Non-Rockwell Power Module (S6R)



SD3000 PLUS Retrofit of Non-Rockwell Power Module (S6R)

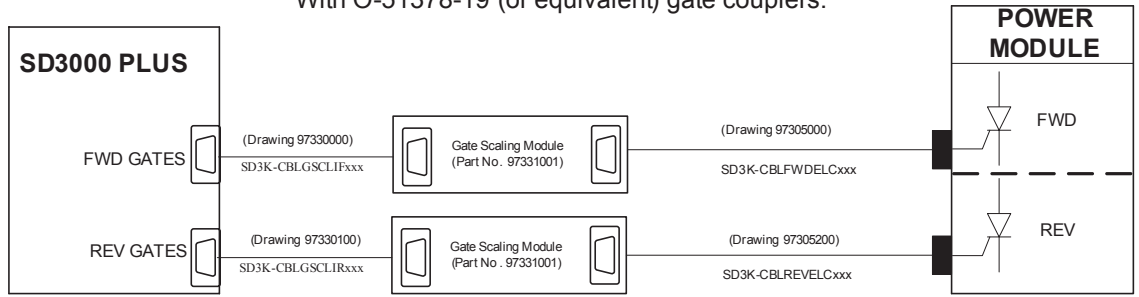


SD3000 PLUS Retrofit of Reliance Power Module (S6R) With "round" style gate connector and With O-51378-19 (or equivalent) gate couplers.



SD3000 PLUS
Retrofit of Reliance Power Module (S6R)
With Elco "rectangular" style gate connector and
With O-51378-19 (or equivalent) gate couplers.

Reliance
Power Module (S6R)



Note: Dierikon power module gate coupling boards are compatible with the SD3000 Plus.

www.rockwellautomation.com

Power, Control and Information Solutions Headquarters

Americas: Rockwell Automation, 1201 South Second Street, Milwaukee, WI 53204-2496 USA, Tel: (1) 414.382.2000, Fax: (1) 414.382.4444
 Europe/Middle East/Africa: Rockwell Automation, Vorstlaan/Boulevard du Souverain 36, 1170 Brussels, Belgium, Tel: (32) 2 663 0600, Fax: (32) 2 663 0640
 Asia Pacific: Rockwell Automation, Level 14, Core F, Cyberport 3, 100 Cyberport Road, Hong Kong, Tel: (852) 2887 4788, Fax: (852) 2508 1846

Publication DSSD3P-IN001C-EN-P - November 2005
 Supersedes DSSD3P-IN001B-EN-P - December 2004

Copyright © 2005 Rockwell Automation. All rights reserved. Printed in the U.S.A.



Artisan Technology Group is your source for quality new and certified-used/pre-owned equipment

- FAST SHIPPING AND DELIVERY
- TENS OF THOUSANDS OF IN-STOCK ITEMS
- EQUIPMENT DEMOS
- HUNDREDS OF MANUFACTURERS SUPPORTED
- LEASING/MONTHLY RENTALS
- ITAR CERTIFIED SECURE ASSET SOLUTIONS

SERVICE CENTER REPAIRS

Experienced engineers and technicians on staff at our full-service, in-house repair center

*InstraView*SM REMOTE INSPECTION

Remotely inspect equipment before purchasing with our interactive website at www.instraview.com ↗

WE BUY USED EQUIPMENT

Sell your excess, underutilized, and idle used equipment. We also offer credit for buy-backs and trade-ins. www.artisanng.com/WeBuyEquipment ↗

LOOKING FOR MORE INFORMATION?

Visit us on the web at www.artisanng.com ↗ for more information on price quotations, drivers, technical specifications, manuals, and documentation

Contact us: (888) 88-SOURCE | sales@artisanng.com | www.artisanng.com