



Artisan Technology Group is your source for quality new and certified-used/pre-owned equipment

- FAST SHIPPING AND DELIVERY
- TENS OF THOUSANDS OF IN-STOCK ITEMS
- EQUIPMENT DEMOS
- HUNDREDS OF MANUFACTURERS SUPPORTED
- LEASING/MONTHLY RENTALS
- ITAR CERTIFIED SECURE ASSET SOLUTIONS

SERVICE CENTER REPAIRS

Experienced engineers and technicians on staff at our full-service, in-house repair center

*InstraView*SM REMOTE INSPECTION

Remotely inspect equipment before purchasing with our interactive website at www.instraview.com ↗

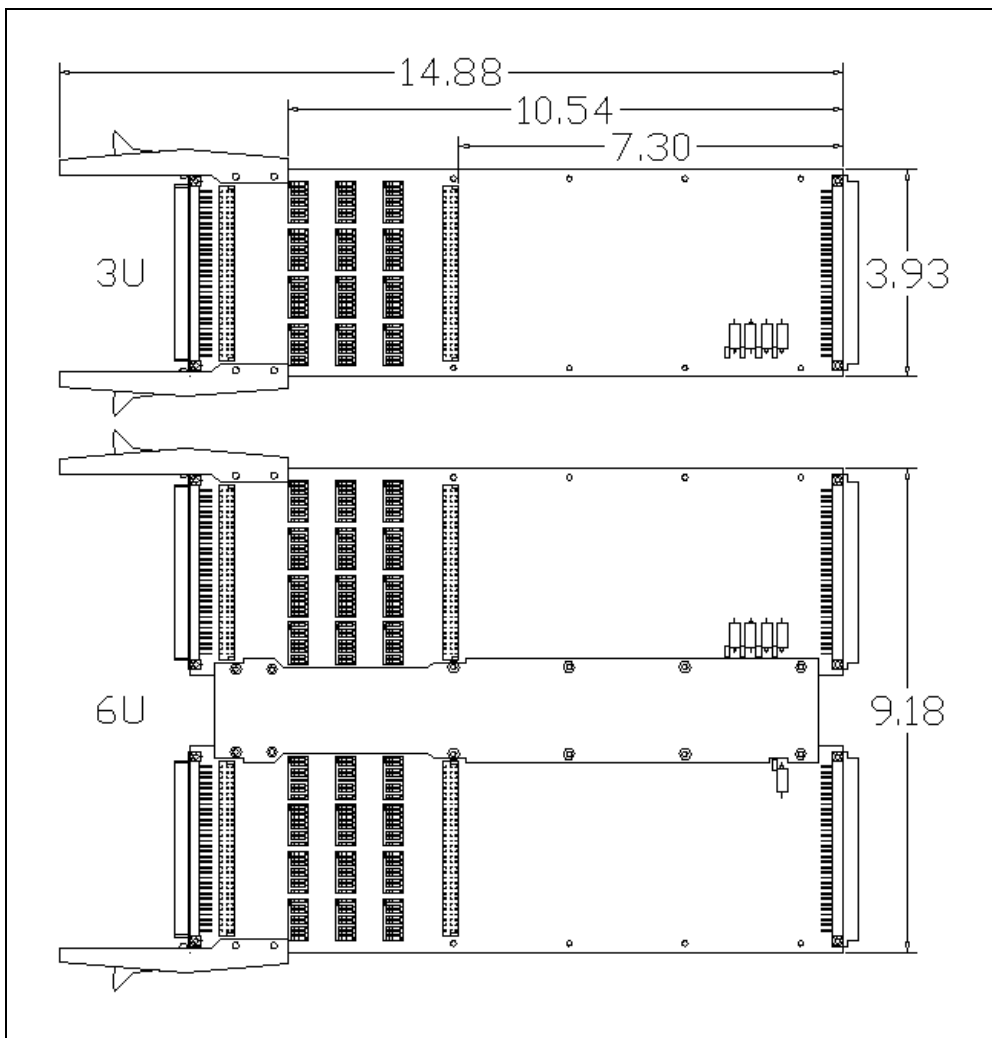
WE BUY USED EQUIPMENT

Sell your excess, underutilized, and idle used equipment. We also offer credit for buy-backs and trade-ins. www.artisanng.com/WeBuyEquipment ↗

LOOKING FOR MORE INFORMATION?

Visit us on the web at www.artisanng.com ↗ for more information on price quotations, drivers, technical specifications, manuals, and documentation

Contact us: (888) 88-SOURCE | sales@artisanng.com | www.artisanng.com



DESCRIPTION

This extender is the industry's leading choice for 400mm Eurocard systems. The .062" thick extender board provides the same high performance power distribution and balanced, controlled impedance environment as our other popular extender boards and back-planes. DIN class 2 connectors are standard. This board serves as a troubleshooting tool by reliably extending the board under test out of the card cage. A carefully designed power and ground system provides optimal power distribution for high performance applications. Power and Ground pin assignments are in accordance with the VMEbus specification on J1 and J2 models, are user definable on the universal model, and are in accordance with the SUNbus™ on the J3 model. Reliable guides with ejectors simplify board installation and removal. In addition to the P1 and J1, a connector is provided for logic analyzer attachment and terminator module installation. This extender board was designed specifically for 400mm applications.

FEATURES

- ✓ Industry's most popular Eurocard extender boards.
- ✓ 3U extender boards can be secured together in numerous configurations to create 6U, 9U, 12U, and larger off-the-shelf solutions.
- ✓ .062" thick MIL-P-13949 printed wiring board.
- ✓ DIN class 2 connectors are standard.
- ✓ High-performance, low noise balanced and controlled impedance hybrid stripline/ microstrip design.
- ✓ Provides very clean power and ground distribution.
- ✓ Power and Ground pin assignments for J1 and J2 models are in accordance with the VMEbus specifications on J1 and J2 models.
- ✓ Universal model features all 96 pins uncommitted. One power and one ground plane are provided for user definition.
- ✓ Quality extender guides with ejectors simplify board removal.

- ✓ Connectors provided on both sides of the DIP switches for logic analyzer attachment and terminator module installation.
- ✓ Ideal for 160mm or 220mm card cage applications where DIP switches are required.

SPECIFICATIONS

Weight: .65 for 3U, add .9 lbs. for each additional 3U section
Environmental:
 Operating Temperature: -40 to +70°C
 Humidity: >95% non-condensing
Reliability:
 MTBF: >750,000 hours for each 3U section

ORDERING INFORMATION (Consult the factory for other configurations)			
HEIGHT	TOP TO BOTTOM CONFIGURATION	MODEL NUMBER	ORDER NUMBER
3U	J1	VMEXBJ1S	11-300042
	J2	VMEXBJ2S	11-300054
	U	XBUS	11-1000071
6U	J1J2	VMEXB12D	11-1001136
	J1 U	VMEXB1UD	11-1001137
	U U	XBUUD	11-1002757
9U	J1 J2 J2	VMEXB122T	11-1001141
	J1 J2 U	VMEXB12UT	11-1001140
	J1 U U	VMEXB1UUT	11-1006124
	U U U	XBUUUT	11-1001142



Artisan Technology Group is your source for quality new and certified-used/pre-owned equipment

- FAST SHIPPING AND DELIVERY
- TENS OF THOUSANDS OF IN-STOCK ITEMS
- EQUIPMENT DEMOS
- HUNDREDS OF MANUFACTURERS SUPPORTED
- LEASING/MONTHLY RENTALS
- ITAR CERTIFIED SECURE ASSET SOLUTIONS

SERVICE CENTER REPAIRS

Experienced engineers and technicians on staff at our full-service, in-house repair center

*InstraView*SM REMOTE INSPECTION

Remotely inspect equipment before purchasing with our interactive website at www.instraview.com ↗

WE BUY USED EQUIPMENT

Sell your excess, underutilized, and idle used equipment. We also offer credit for buy-backs and trade-ins. www.artisanng.com/WeBuyEquipment ↗

LOOKING FOR MORE INFORMATION?

Visit us on the web at www.artisanng.com ↗ for more information on price quotations, drivers, technical specifications, manuals, and documentation

Contact us: (888) 88-SOURCE | sales@artisanng.com | www.artisanng.com