



## Artisan Technology Group is your source for quality new and certified-used/pre-owned equipment

- FAST SHIPPING AND DELIVERY
- TENS OF THOUSANDS OF IN-STOCK ITEMS
- EQUIPMENT DEMOS
- HUNDREDS OF MANUFACTURERS SUPPORTED
- LEASING/MONTHLY RENTALS
- ITAR CERTIFIED SECURE ASSET SOLUTIONS

### SERVICE CENTER REPAIRS

Experienced engineers and technicians on staff at our full-service, in-house repair center

### *InstraView*<sup>SM</sup> REMOTE INSPECTION

Remotely inspect equipment before purchasing with our interactive website at [www.instraview.com](http://www.instraview.com) ↗

### WE BUY USED EQUIPMENT

Sell your excess, underutilized, and idle used equipment. We also offer credit for buy-backs and trade-ins. [www.artisanng.com/WeBuyEquipment](http://www.artisanng.com/WeBuyEquipment) ↗

### LOOKING FOR MORE INFORMATION?

Visit us on the web at [www.artisanng.com](http://www.artisanng.com) ↗ for more information on price quotations, drivers, technical specifications, manuals, and documentation

**Contact us:** (888) 88-SOURCE | [sales@artisanng.com](mailto:sales@artisanng.com) | [www.artisanng.com](http://www.artisanng.com)



# ES1392.1

## High Current Switch Board (5-CH)



### Key Features

- Two high current switches with a max. current of 20 A each
- Three high current switches with a max. current of 12 A each
- 40 A overall current
- Overcurrent protection
- High current switch interface via front panel
- Overvoltage protection

The ES1392.1 High Current Switch Board provides five high current switches. Switch 0 can be switched to +UBatt or -UBatt. Switch 1 - switch 4 can be switched to +UBatt. Switch 0 and switch 1 can carry 20 A each, switch 2 - switch 4 can carry 12 A each. The maximum overall current may not exceed 40 A.

The switches are controlled via the front panel "high current switch interface" with TTL levels. Additional information about the switches (e.g. overcurrent) can be read back via one digital output for all switches. For further plug-and-play use, a versioning interface is also provided on the high current switch interface.

Every input and every output channel (except the versioning interface) is protected against voltages up to 60 V and against shorts to 0 V.

### Application

The ES1392.1 High Current Switch Board is used to simulate vehicle switches, such as an ignition lock. For vehicles with two batteries (12 V / 42 V), the ES1392.1 High Current Switch Board can switch voltages from 6 V up to 58 V. For the switching of two power supplies, two ES1392.1 High Current Switch Boards are required.

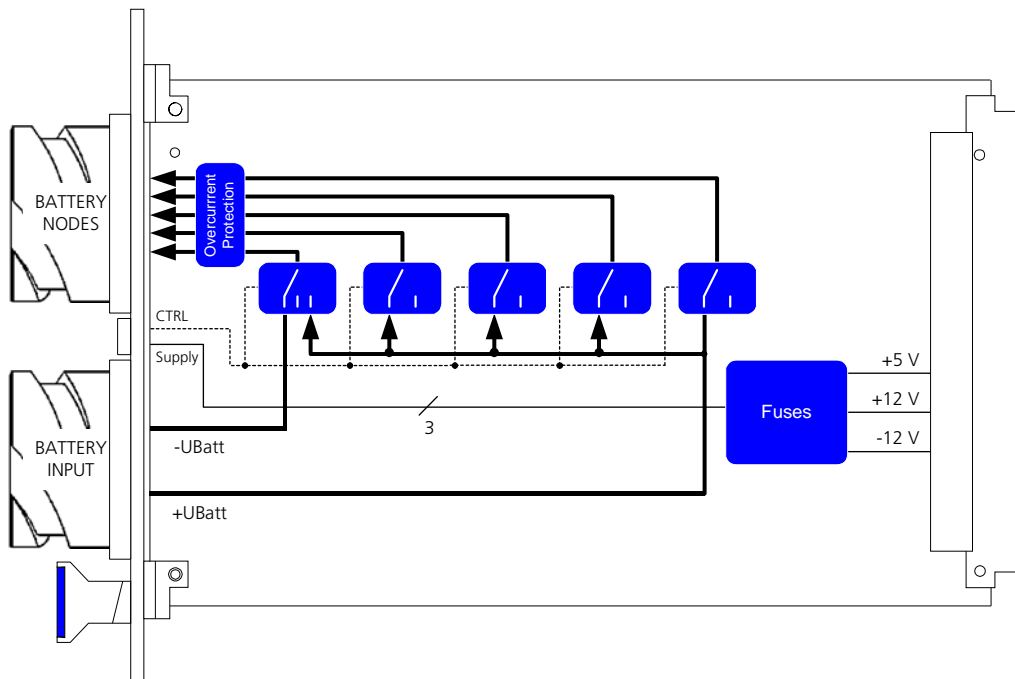
## Software Control Interface

The ES1392.1 High Current Switch Board is completely configurable and - in combination with the ES1391.1 Power Supply Controller Board - controllable by software. This software control interface, named RTIO (Real-Time I/O), is included in LabCar Developer or can be ordered as a Target Integration Package (TIExp) for ASCET-SD.

This control interface (via front panel) enables the user to configure the ES1392.1 High Current Switch Board in the following ways:

- Switch each switch (via ES1391)
- Display error state (one signal for all switches) in the case of an overcurrent of one switch

## Block Diagram



## Technical Specifications

Names	Features
<b>Battery Input</b>	
Input voltage range	6 - 60 V
Input current	Max. 40 A
<b>High Current Switches</b>	
Overcurrent protection	Yes
Automatic recovery after overcurrent detection	> 500 ms, < 800 ms (periodically)
Settling time	< 50 $\mu$ s
Configuration switch 0	Switch to +UBatt or -UBatt
Configuration switch 1 - switch 4	Switch to +UBatt
Current rating switch 0 and switch 1	Max. 20 A each
Current rating switch 1 - switch 4	Max. 12 A each
Overall current	Max. 40 A
Resistance of switches to +UBatt (at 10 A)	< 30 m $\Omega$
Resistance of switches to -UBatt (at 10 A)	< 40 m $\Omega$
Battery voltage	+6 V .. +60 V
Maximum permissible potential difference between ground and -UBatt	$\pm$ 2 V
Minimum voltage between +UBatt and ground	+6 V
<b>High Current Switch Interface</b>	
Configuration	1 interface
Digital output channels	1
Digital output level	TTL (0/5 V)
Digital output current	Max. 10 mA
Digital input channels	5
Digital input level	TTL (0/5 V)
Digital input current	< 100 $\mu$ A ( $I_{IH}$ ), < -1 $\mu$ A ( $I_{IL}$ )
Digital galvanic isolation	No
Digital overvoltage protection	Yes (60 V)
Interface for versioning data	1
Type of versioning interface	1-Wire <sup>®</sup>
Galvanic isolation of the versioning interface	Yes
Overvoltage protection for versioning interface	No



Names	Features
<b>Supply Out Interface</b>	
Configuration	1 interface
Supply voltages	5 V, $\pm 12$ V
Max. currents	2 A at 5 V 1.5 A at +12 V 1.5 A at -12 V
Protection	Fuses
<b>Environment</b>	
Operating temperature	0 °C to 70 °C (32 °F to 158 °F)
Storage temperature	-55 °C to +85 °C (-67 °F to 185 °F)
Relative humidity	To 95% non-condensing
Isolation	Non-isolated
<b>Power Supply</b>	
Power consumption	+5 V DC $\pm 5$ %, 300 mA max. $\pm 12$ V DC -5% .. $\pm 15$ V +5%, 50 mA max.
<b>Dimensions</b>	
Height	3 U
Width	8 HP (occupies 2 VME slots)

#### Contact addresses:

ETAS GmbH  
Borsigstraße 14  
70469 Stuttgart, Germany  
Phone: +49 (711) 8 96 61-102  
Fax: +49 (711) 8 96 61-106  
sales@etas.de  
www.etas.de

ETAS Inc.  
3021 Miller Road  
Ann Arbor, MI 48103, USA  
Phone: +1 (888) ETAS INC  
Fax: +1 (734) 997-9449  
sales@etasinc.com  
www.etasinc.com

ETAS K.K.  
9-1, Ushikubo 3-chome  
Tsuzuki-ku  
Yokohama 224-0012, Japan  
Phone: +81 (45) 912-9550  
Fax: +81 (45) 912-9552  
sales@etas.co.jp  
www.etas.co.jp

ETAS S.A.S.  
1, place des Etats-Unis  
SILIC 307  
94588 Rungis Cedex, France  
Phone: +33 (1) 56 70 00 50  
Fax: +33 (1) 56 70 00 51  
sales@etas.fr  
www.etas.fr

## Ordering Information

Order Name	Short Name	Order Number
High Current Switch Board (5-CH)	ES1392.1	F-00K-102-727

Subject to changes (02.2003)



## Artisan Technology Group is your source for quality new and certified-used/pre-owned equipment

- FAST SHIPPING AND DELIVERY
- TENS OF THOUSANDS OF IN-STOCK ITEMS
- EQUIPMENT DEMOS
- HUNDREDS OF MANUFACTURERS SUPPORTED
- LEASING/MONTHLY RENTALS
- ITAR CERTIFIED SECURE ASSET SOLUTIONS

### SERVICE CENTER REPAIRS

Experienced engineers and technicians on staff at our full-service, in-house repair center

### *InstraView*<sup>SM</sup> REMOTE INSPECTION

Remotely inspect equipment before purchasing with our interactive website at [www.instraview.com](http://www.instraview.com) ↗

### WE BUY USED EQUIPMENT

Sell your excess, underutilized, and idle used equipment. We also offer credit for buy-backs and trade-ins. [www.artisanng.com/WeBuyEquipment](http://www.artisanng.com/WeBuyEquipment) ↗

### LOOKING FOR MORE INFORMATION?

Visit us on the web at [www.artisanng.com](http://www.artisanng.com) ↗ for more information on price quotations, drivers, technical specifications, manuals, and documentation

**Contact us:** (888) 88-SOURCE | [sales@artisanng.com](mailto:sales@artisanng.com) | [www.artisanng.com](http://www.artisanng.com)