



Artisan Technology Group is your source for quality new and certified-used/pre-owned equipment

- FAST SHIPPING AND DELIVERY
- TENS OF THOUSANDS OF IN-STOCK ITEMS
- EQUIPMENT DEMOS
- HUNDREDS OF MANUFACTURERS SUPPORTED
- LEASING/MONTHLY RENTALS
- ITAR CERTIFIED SECURE ASSET SOLUTIONS

SERVICE CENTER REPAIRS

Experienced engineers and technicians on staff at our full-service, in-house repair center

*InstraView*SM REMOTE INSPECTION

Remotely inspect equipment before purchasing with our interactive website at www.instraview.com ↗

WE BUY USED EQUIPMENT

Sell your excess, underutilized, and idle used equipment. We also offer credit for buy-backs and trade-ins. www.artisanng.com/WeBuyEquipment ↗

LOOKING FOR MORE INFORMATION?

Visit us on the web at www.artisanng.com ↗ for more information on price quotations, drivers, technical specifications, manuals, and documentation

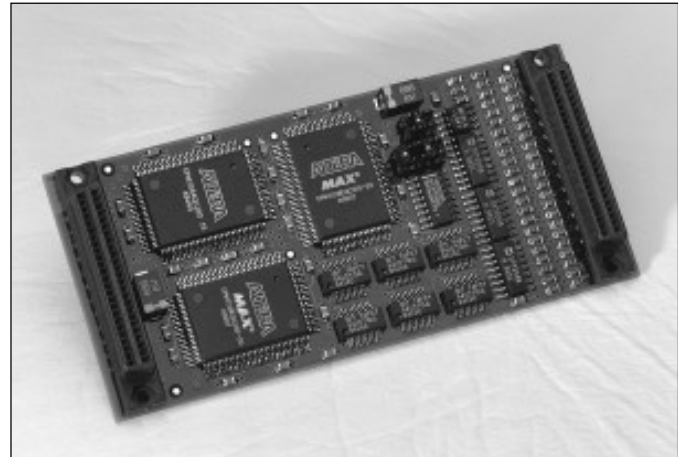
Contact us: (888) 88-SOURCE | sales@artisanng.com | www.artisanng.com

DID48 – 48-Channel, Debounced Discrete Input IP Module

For applications with a large number of noisy, switch and relay contact inputs, the DID48's contact debouncing capability and interrupt driven engine can improve CPU performance. Its modular design provides up to 240 discrete inputs through a single VME slot using the VMESC5 carrier or up to 288 inputs through a single PC slot using the ISASC6 carrier. The DID48 can also be mixed with other IP modules for a more customized, modular I/O system solution.

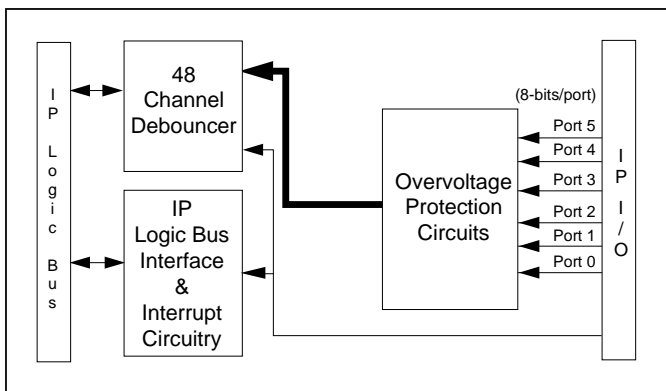
Application Features:

- ◆ Hardware debouncing eliminates the bounce and noise from switches and relay contacts to provide clean input signals.
- ◆ Eliminates all software required for algorithms needed to debounce inputs thus reducing the cost of systems.
- ◆ ±32 volts of input are protected against voltage-overloads. Using new technology, the DID48 is able to offer this protection and high-input density in a single IP module design.
- ◆ All 48 channels can generate interrupts—on change—thus creating more flexibility and event driven power.
- ◆ Four, user-selectable, debouncing time windows tailor interfacing to small-to-large chatter/noise sources.
- ◆ Per byte-lane disabling of hardware debouncing for direct, (clean) logic interfacing.
- ◆ Debouncer's sampling clock available for system-level synchronization.
- ◆ Simple Interrupt engine for signaling special on any input logic change on a per byte lane basis.



Specifications:

- ◆ Physical Dimensions: 1.800" x 3.900" x 0.303" (45.72 mm x 99.06 mm x 7.70 mm)
- ◆ Weight: 1.076 oz. (30.49 grams)
- ◆ Hardware Compatibility: IndustryPack Logic Interface Specification, Rev. 0.7.1
- ◆ Mechanical/Electrical Interface: Singlewide IP module
- ◆ IP Transfer Types: (memory not supported)
 - I/O: 8- and 16-bit writes, 16-bit reads; No wait states, hold states supported
 - ID: 8-bit read only; No wait states, hold states supported
 - INT: 8-bit vector read only; No wait states, hold states supported
- ◆ Electrical Requirements: +5 Vdc @ 310 mA (typ. open inputs)
- ◆ Operating Temperature: 0° to +70° C (+32° to +158° F)
- ◆ Storage Temperature: -40° to +85° C (-40° to +185° F)
- ◆ Humidity (non-condensing): 5% to 95%
- ◆ Operating Vibration: 10 G's RMS, 10-55 Hz random
- ◆ Operating Shock: 50 G's max.
- ◆ Operating Altitude: 10,000 ft.
- ◆ MTBF: 3,748,126 hrs. per MIL-HDBK-217F
- ◆ Logic '1' or 'high' Input Voltage: +2.0 to +32.0 Vdc (current-limited high clamps to +5 V)
- ◆ Logic '0' or 'low' Input Voltage: -32.0 to +0.8 Vdc (current-limited low clamps to ground)
- ◆ Ports 0, 2, & 4 ≡ byte lane #0
- ◆ Ports 1, 3, & 5 ≡ byte lane #1
- ◆ Sampling Window Selection by Byte Lane (4 sampling periods): 256 μS, 1.024 mS, 4.096mS, and 16.386 mS
- ◆ Debouncing enabled/disabled by byte lane
- ◆ Sampling period synchronization pulse output; either byte lane
- ◆ Per-port Interrupt-on-change masks



Ordering Information:

BHAS-DID48: 48 Channel, Discrete Input IP Board

DID48 PIN ASSIGNMENTS

50 GND	45 Port 5 Bit 3	40 Port 4 Bit 0	35 Port 4 Bit 5	30 Port 3 Bit 2	25 Port 3 Bit 7	20 Port 2 Bit 4	15 Port 1 Bit 1	10 Port 1 Bit 6	5 Port 0 Bit 3
49 TSTCLK (jumper select)	44 Port 5 Bit 4	39 Port 4 Bit 1	34 Port 4 Bit 6	29 Port 3 Bit 3	24 Port 2 Bit 0	19 Port 2 Bit 5	14 Port 1 Bit 2	9 Port 1 Bit 7	4 Port 0 Bit 4
48 Port 5 Bit 0	43 Port 5 Bit 5	38 Port 4 Bit 2	33 Port 4 Bit 7	28 Port 3 Bit 4	23 Port 2 Bit 1	18 Port 2 Bit 6	13 Port 1 Bit 3	8 Port 0 Bit 0	3 Port 0 Bit 5
47 Port 5 Bit 1	42 Port 5 Bit 6	37 Port 4 Bit 3	32 Port 3 Bit 0	27 Port 3 Bit 5	22 Port 2 Bit 2	17 Port 2 Bit 7	12 Port 1 Bit 4	7 Port 0 Bit 1	2 Port 0 Bit 6
46 Port 5 Bit 2	41 Port 5 Bit 7	36 Port 4 Bit 4	31 Port 3 Bit 1	26 Port 3 Bit 6	21 Port 2 Bit 3	16 Port 1 Bit 0	11 Port 1 Bit 5	6 Port 0 Bit 2	1 Port 0 Bit 7





Artisan Technology Group is your source for quality new and certified-used/pre-owned equipment

- FAST SHIPPING AND DELIVERY
- TENS OF THOUSANDS OF IN-STOCK ITEMS
- EQUIPMENT DEMOS
- HUNDREDS OF MANUFACTURERS SUPPORTED
- LEASING/MONTHLY RENTALS
- ITAR CERTIFIED SECURE ASSET SOLUTIONS

SERVICE CENTER REPAIRS

Experienced engineers and technicians on staff at our full-service, in-house repair center

*InstraView*SM REMOTE INSPECTION

Remotely inspect equipment before purchasing with our interactive website at www.instraview.com ↗

WE BUY USED EQUIPMENT

Sell your excess, underutilized, and idle used equipment. We also offer credit for buy-backs and trade-ins. www.artisanng.com/WeBuyEquipment ↗

LOOKING FOR MORE INFORMATION?

Visit us on the web at www.artisanng.com ↗ for more information on price quotations, drivers, technical specifications, manuals, and documentation

Contact us: (888) 88-SOURCE | sales@artisanng.com | www.artisanng.com