



## Artisan Technology Group is your source for quality new and certified-used/pre-owned equipment

- FAST SHIPPING AND DELIVERY
- TENS OF THOUSANDS OF IN-STOCK ITEMS
- EQUIPMENT DEMOS
- HUNDREDS OF MANUFACTURERS SUPPORTED
- LEASING/MONTHLY RENTALS
- ITAR CERTIFIED SECURE ASSET SOLUTIONS

### SERVICE CENTER REPAIRS

Experienced engineers and technicians on staff at our full-service, in-house repair center

### *InstraView*<sup>SM</sup> REMOTE INSPECTION

Remotely inspect equipment before purchasing with our interactive website at [www.instraview.com](http://www.instraview.com) ↗

### WE BUY USED EQUIPMENT

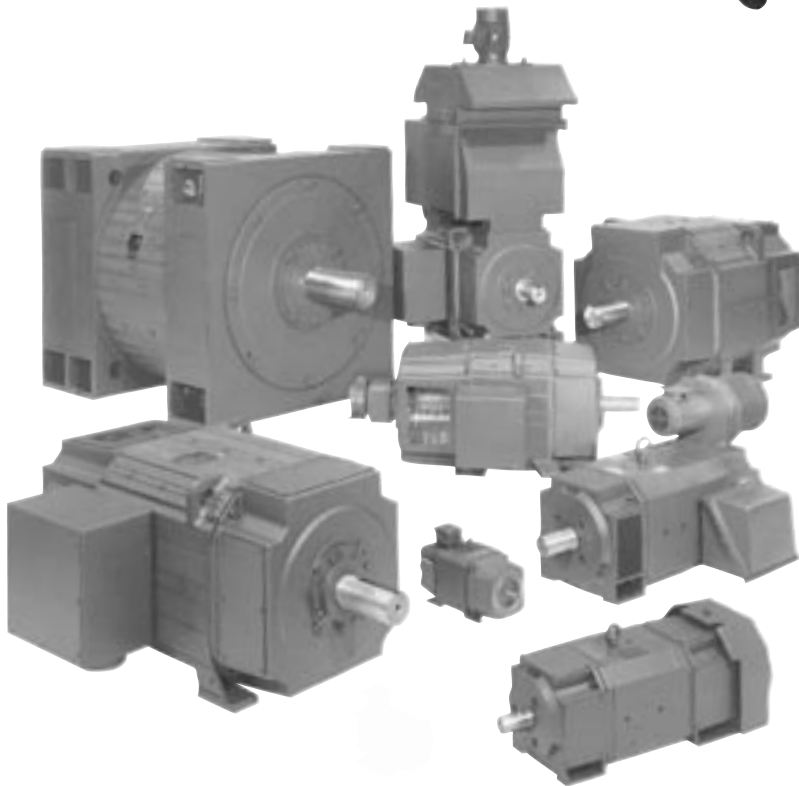
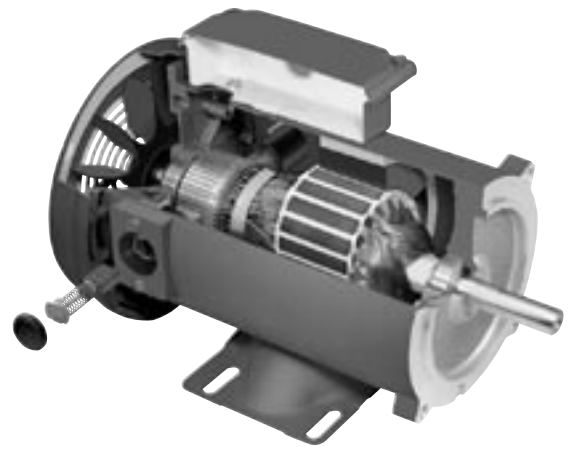
Sell your excess, underutilized, and idle used equipment. We also offer credit for buy-backs and trade-ins. [www.artisanng.com/WeBuyEquipment](http://www.artisanng.com/WeBuyEquipment) ↗

### LOOKING FOR MORE INFORMATION?

Visit us on the web at [www.artisanng.com](http://www.artisanng.com) ↗ for more information on price quotations, drivers, technical specifications, manuals, and documentation

**Contact us:** (888) 88-SOURCE | [sales@artisanng.com](mailto:sales@artisanng.com) | [www.artisanng.com](http://www.artisanng.com)

# Small and Medium DC Motors



For additional product information, go to [www.reliance.com](http://www.reliance.com)

# RPM XL SMALL DC MOTORS

## INTRODUCTION

After more than ninety years of DC motor design experience in the variable speed marketplace, Reliance Electric continues its leadership position in DC motor technology with the RPM XL - a small DC product line incorporating state-of-the-art design technology. This design results in a high quality industrial duty product with more customer value and benefits than ever before.

## STANDARD FEATURES

- **TEFC enclosure:** Permanent magnet totally enclosed fan cooled designs have been optimized for power matched performance. Cooler operating temperatures than TENV result in longer motor life and provide constant torque over a 20:1 speed range with a free wheeling diode.
- **NEMA 56 C-Face mounting** is standard on stock ratings.
- **Tach provisions easily obtained** from stock kits with C-face fan covers. (Not available on explosion proof)
- **Class F non-hygroscopic insulation system** is standard for long motor life
- **New cartridge brush holders** with brass inserts and stainless steel springs provide easy access to brushes and assure constant pressure for long brush life. Disassembly is not required for brush inspection.
- **Oversize brushes and commutator** assure long brush life.
- **Permanently lubricated double-shielded ball bearings** prevent dirt entry and guard against grease loss. Washdown motors use double-sealed bearings as standard.
- **Frames are heavy duty rolled steel**, available with or without welded base.
- **Oversized top mounted conduit box** with F1/F2 conduit connection and permanently marked leads simplify connections and installation. (F1 lead outlet standard on explosion-proof)
- **U/L component recognition and CSA approval are standard** (U/L file E 54825 and CSA file LR 40567)
- **Metric hardware and brushes (nonexplosion-proof)**
- **Paint** is Reliance Electric blue-green high grade epoxy air dry enamel with non-toxic trust inhibitors.

## RPM XL SMALL DC MOTORS

1/8 - 2 HP



TEFC

WASHDOWN

EXPLOSION-PROOF

For pricing information or to place orders, go to [www.PTplace.com](http://www.PTplace.com)

# Product Overview

## RPM XL Small DC Motors

### AVAILABLE FEATURES

**Mounting:** C-Face Foot Mounted, C-Face Footless

**Enclosure Type:** TEFC, TENV, FCXP, Washdown

**Field Winding:** Permanent Magnet, Wound

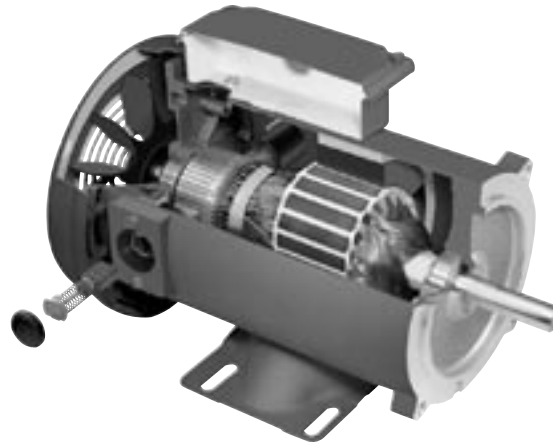
**Horsepower Range:** 1/8 - 2

### CONSTRUCTION FEATURES

**Bearing System:** Permanently lubricated double shielded  
Double sealed (washdown)

**Conduit Mounting:** Top mounted (F1/F2)

**Limited warranty:** 18 months



For additional product information, go to [www.reliance.com](http://www.reliance.com)

# Totally Enclosed RPM XL Small DC

40°C Ambient • Class F • IP53

## Description

RPM XL Small DC motors are designed for reliability and long life in all variable speed applications.

## Features

- Permanent magnet TEFC designs have been optimized for power matched performance. Cooler operating temperatures than TENV result in longer motor life and provide constant torque over a 20:1 speed range with a free wheeling diode
- Tach provisions easily obtained from stock kits with
- C-face fan covers. Not available on explosion-proof.
- Double-shielded ball bearings
- Heavy duty rolled steel frames
- Cartridge brush holders with brass inserts and stainless steel springs provide easy access to brushes and assure constant pressure for long brush life. Disassembly is NOT required for brush inspection
- Oversized top mounted conduit box with F1/F2 conduit connection. F1 lead outlet standard on explosion-proof.

## C-Face Foot Mounted 1/4 - 2 HP

HP	SPD RPM Base	Voltage		Frames	Enclosure	Model Number	List Price	Price Symbol	Norm. Stock	Notes	Dimension Sheets
		Arm.	Fld.								
1/4	1750	90	PM	SE56C	TEFC	<b>T56S1001</b>	\$342	RMO30	Yes		616050-1
	1750	90	PM	SE56C	TEFC	<b>T56S2001</b>	476	RMO30	Yes	90	616050-1
	1750	90	50/100	SG56HC	TEFC	<b>T56S1100</b>	680	RMO30	Yes		616052-1
	1750	90	50/100	SG56HC	TEFC	<b>T56S2100</b>	759	RMO30	Yes	90	616052-1
	1750	90	50/100	HB56HC	FCXP	<b>T56H1460</b>	1,290	RMO30	Yes	1	600702-23
	1750	90	PM	SE56C	TEFC	<b>T56S1016</b>	1,075	RMO30	Yes	44	616050-10
	1750	90	PM	SE56C	TENV	<b>T56S1019</b>	365	RMO30	Yes	8, 90	616049-2
1/3	1750	90	PM	SE56C	TEFC	<b>T56S1003</b>	362	RMO30	Yes		616050-1
	1750	90	PM	SE56C	TEFC	<b>T56S2003</b>	500	RMO30	Yes	90	616050-1
	1750	90	50/100	SG56HC	TEFC	<b>T56S1101</b>	690	RMO30	Yes		616052-1
	1750	90	50/100	SG56HC	TEFC	<b>T56S2101</b>	769	RMO30	Yes	90	616052-1
	1750	90	50/100	HB56HC	FCXP	<b>T56H1461</b>	1,395	RMO30	Yes	1	600702-23
	1750	90	PM	SE56C	TEFC	<b>T56S1017</b>	1,140	RMO30	Yes	44	616050-10
	1750	90	PM	ME56C	TENV	<b>T56S1020</b>	419	RMO30	Yes	8, 90	616049-2
1/2	2500	90	PM	SE56C	TEFC	<b>T56S1006</b>	362	RMO30	Yes		616050-1
	2500	90	PM	SE56C	TEFC	<b>T56S2006</b>	495	RMO30	Yes	90	616050-1
	1750	90	PM	ME56C	TEFC	<b>T56S1005</b>	404	RMO30	Yes		616050-1
	1750	90	PM	ME56C	TEFC	<b>T56S2005</b>	547	RMO30	Yes	90	616050-1
	1750	180	PM	LE56C	TEFC	<b>T56S1027</b>	404	RMO30	Yes		616050-1
	1750	90	50/100	SG56HC	TEFC	<b>T56S1102</b>	715	RMO30	Yes		616052-1
	1750	90	50/100	SG56HC	TEFC	<b>T56S2102</b>	794	RMO30	Yes	90	616052-1
	1750	90	50/100	HJ56HC	FCXP	<b>T56H1462</b>	1,675	RMO30	Yes	1	600702-23
	1750	90	PM	LE56C	TENV	<b>T56S1021</b>	495	RMO30	Yes	8, 90	616049-2
3/4	1750	180	PM	SF56HC	TENV	<b>T56S1022</b>	1,035	RMO30	Yes	8, 90	616053-2
	1750	90	PM	LE56C	TEFC	<b>T56S1009</b>	491	RMO30	Yes		616050-1
	1750	90	PM	LE56C	TEFC	<b>T56S2009</b>	649	RMO30	Yes	90	616050-1
	1750	180	PM	SF56HC	TEFC	<b>T56S1029</b>	491	RMO30	Yes		616052-1
	1750	90	50/100	MG56HC	TEFC	<b>T56S1103</b>	780	RMO30	Yes		616052-1
	1750	90	50/100	MG56HC	TEFC	<b>T56S2103</b>	859	RMO30	Yes	90	616052-1
	1750	90	50/100	HJ56HC	FCXP	<b>T56H3209</b>	2,195	RMO30	Yes	1	600702-23
	1750	90	PM	SF56HC	TENV	<b>T56S1023</b>	671	RMO30	Yes	8, 90	616053-2
	1750	180	PM	MF56HC	TENV	<b>T56S1024</b>	1,080	RMO30	Yes	8, 90	616053-2
1	1750	90	PM	MF56HC	TEFC	<b>T56S1011</b>	599	RMO30	Yes		616052-1
	1750	90	PM	MF56HC	TEFC	<b>T56S2011</b>	774	RMO30	Yes	90	616052-1
	2500	180	PM	SF56HC	TEFC	<b>T56S1012</b>	491	RMO30	Yes		616052-1
	2500	180	PM	SF56HC	TEFC	<b>T56S2012</b>	774	RMO30	Yes	90	616052-1
	1750	180	PM	MF56HC	TEFC	<b>T56S1013</b>	599	RMO30	Yes		616052-1
	1750	180	PM	MF56HC	TEFC	<b>T56S2013</b>	774	RMO30	Yes	90	616052-1
	1750	180	100/200	LG56HC	TEFC	<b>T56S1104</b>	1,010	RMO30	Yes		616052-1
	1750	180	100/200	LG56HC	TEFC	<b>T56S2104</b>	1,089	RMO30	Yes	90	616052-1
	1750	180	100/200	HE56HC	FCXP	<b>T56H1464</b>	2,260	RMO30	Yes		600702-31
	1750	90	PM	LF56HCZ(A)	TENV	<b>T56S1025</b>	945	RMO30	Yes	8, 90	616053-2
	1750	180	PM	LF56HCZ(A)	TENV	<b>T56S1026</b>	1,080	RMO30	Yes	8, 90	616053-2
1.5	1750	180	PM	LF56HCZ(A)	TEFC	<b>T56S1014</b>	1,137	RMO30	Yes		616052-1
	1750	180	PM	LF56HCZ(A)	TEFC	<b>T56S2014</b>	1,399	RMO30	Yes	90	616052-1
2	1750	180	PM	LF56HCZ(A)	TEFC	<b>T56S1015</b>	1,357	RMO30	Yes		616052-1
	1750	180	PM	LF56HCZ(A)	TEFC	<b>T56S2015</b>	1,655	RMO30	Yes	90	616052-1

(A) 140TC C-Face

For pricing information or to place orders, go to [www.PTplace.com](http://www.PTplace.com)

# Totally Enclosed RPM XL Small DC

40°C Ambient • Class F • IP53

## C-Face Footless 1/4-2 HP

HP	SPD RPM Base	Voltage		Frames	Enclosure	Model Number	List Price	Price Symbol	Norm. Stock	Notes	Dimension Sheets
		Arm.	Fld.								
1/4	1750	90	PM	SE56C	TEFC	<b>T56S1000</b>	\$342	RMO30	Yes		616050-1
	1750	90	PM	SE56C	TEFC	<b>T56S2000</b>	471	RMO30	Yes	90	616050-1
1/3	1750	90	PM	SE56C	TEFC	<b>T56S1002</b>	362	RMO30	Yes		616050-1
	1750	90	PM	SE56C	TEFC	<b>T56S2002</b>	495	RMO30	Yes	90	616050-1
1/2	1750	90	PM	ME56C	TEFC	<b>T56S1004</b>	404	RMO30	Yes		616050-1
	1750	90	PM	ME56C	TEFC	<b>T56S2004</b>	542	RMO30	Yes	90	616050-1
	1750	180	PM	LE56C	TEFC	<b>T56S1007</b>	404	RMO30	Yes		616050-1
	1750	180	PM	LE56C	TEFC	<b>T56S2007</b>	547	RMO30	Yes	90	616052-1
	2500	90	PM	SE56C	TEFC	<b>T56S1028</b>	362	RMO30	Yes		616052-1
3/4	1750	90	PM	LE56C	TEFC	<b>T56S1008</b>	491	RMO30	Yes		616050-1
	1750	90	PM	LE56C	TEFC	<b>T56S2008</b>	648	RMO30	Yes	90	616050-1
	1750	180	PM	SF56C	TEFC	<b>T56S1010</b>	491	RMO30	Yes		616052-1
	1750	180	PM	SF56C	TEFC	<b>T56S2010</b>	674	RMO30	Yes	90	616052-1
1	1750	90	PM	MF56C	TEFC	<b>T56S1018</b>	599	RMO30	Yes		616052-1
	1750	90	PM	MF56C	TEFC	<b>T56S2018</b>	769	RMO30	Yes	90	616052-1
	1750	180	PM	MF56C	TEFC	<b>T56S1030</b>	599	RMO30	Yes		616052-1
	1750	180	PM	SF56C	TEFC	<b>T56S1031</b>	491	RMO30	Yes		616052-1
1.5	1750	180	PM	LF56CZ(A)	TEFC	<b>T56S1032</b>	1,137	RMO30	Yes		616052-1
2	1750	180	PM	LF56CZ(A)	TEFC	<b>T56S1033</b>	1,357	RMO30	Yes		616052-1

(A) 140TC C-Face

For additional product information, go to [www.reliance.com](http://www.reliance.com)

# Totally Enclosed RPM XL Small Permanent Magnet DC Washdown

40°C Ambient • Class F • IP55

## Description

RPM XL Small DC Washdown motors are designed for reliability in severe applications where the motor is in a wet and/or dirty environment.

## Features

- 20:1 constant torque with free wheeling diode
- For operating from full wave single-phase rectified power (Type K)
- Stainless steel shaft
- USDA approved white epoxy paint
- Four drain plugs in each end
- Double lip seals on shaft
- Double sealed bearings
- Permanent magnet fields
- Cast iron end shields
- Easy access to brushes

## C-Face Foot Mounted 1/4 - 2 HP

HP	SPD RPM Base	Voltage		Frames	Enclosure	Model Number	List Price	Price Symbol	Norm. Stock	Notes	Dimension Sheets
		Arm.	Fld.								
1/4	1750	90	PM	SE56C	TEFC	T56S1700	\$444	RMO32	Yes		616050-51
	1750	90	PM	SE56C	TEFC	T56S2700	594	RMO30	Yes	90	616050-51
1/3	1750	90	PM	SE56C	TEFC	T56S1701	470	RMO32	Yes		616050-51
	1750	90	PM	SE56C	TEFC	T56S2701	624	RMO30	Yes	90	616050-51
1/2	1750	90	PM	ME56C	TEFC	T56S1702	527	RMO32	Yes		616050-51
	1750	90	PM	ME56C	TEFC	T56S2702	691	RMO30	Yes	90	616050-51
	1750	180	PM	LE56C	TEFC	T56S1703	527	RMO32	Yes		616050-51
	1750	180	PM	LE56C	TEFC	T56S2703	754	RMO30	Yes	90	616050-51
3/4	1750	90	PM	LE56C	TEFC	T56S1704	638	RMO32	Yes		616050-51
	1750	90	PM	LE56C	TEFC	T56S2704	819	RMO30	Yes	90	616050-51
	1750	180	PM	SF56HC	TEFC	T56S1705	638	RMO32	Yes		616052-51
	1750	180	PM	SF56HC	TEFC	T56S2705	854	RMO30	Yes	90	616052-51
1	1750	90	PM	MF56HC	TEFC	T56S1706	779	RMO32	Yes		616052-51
	1750	90	PM	MF56HC	TEFC	T56S2706	984	RMO30	Yes	90	616052-51
	1750	180	PM	MF56HC	TEFC	T56S1707	779	RMO32	Yes		616052-51
	1750	180	PM	MF56HC	TEFC	T56S2707	984	RMO30	Yes	90	616052-51
1.5	1750	180	PM	LF56HCZ(A)	TEFC	T56S1708	1,534	RMO32	Yes		616052-51
	1750	180	PM	LF56HCZ(A)	TEFC	T56S2708	1,868	RMO30	Yes	90	616052-51
2	1750	180	PM	LF56HCZ(A)	TEFC	T56S1709	1,831	RMO32	Yes		616052-51
	1750	180	PM	LF56HCZ(A)	TEFC	T56S2709	2,204	RMO30	Yes	90	616052-51

## C-Face Footless 1/4 - 1 HP

HP	SPD RPM Base	Voltage		Frames	Enclosure	Model Number	List Price	Price Symbol	Norm. Stock	Notes	Dimension Sheets
		Arm.	Fld.								
1/4	1750	90	PM	SE56C	TEFC	T56S1710	\$444	RMO32	Yes		616050-51
	1750	90	PM	SE56C	TEFC	T56S2710	589	RMO30	Yes	90	616050-51
3/4	1750	90	PM	LE56C	TEFC	T56S1711	638	RMO32	Yes		616050-51
	1750	90	PM	LE56C	TEFC	T56S2711	814	RMO30	Yes	90	616050-51
1	1750	90	PM	MF56C	TEFC	T56S1712	779	RMO32	Yes		616052-51
	1750	90	PM	MF56C	TEFC	T56S2712	979	RMO30	Yes	90	616052-51

(A) 140TC C-Face

For pricing information or to place orders, go to [www.PTplace.com](http://www.PTplace.com)

## Stock Accessories

## RPM XL Small DC Frames SE56 - LG56HCZ

## TACHOMETER MOUNTING KITS - CUSTOMER MOUNTED - TACH NOT INCLUDED

Enclosure	Tachometer Type	Ordering Number	List Price	Discount Symbol
TEFC	RE-007 / RE-020	422969-1A	\$150	RGKIT
TEFC	5PY&RPY444	422969-4A	380	RGKIT
TEFC	BC42, BC46	422969-7A	380	RGKIT
TEFC	M45E1000 (RE045) (2)	417708-79	160	RGKIT
Washdown**	RE-007/RE-020	422969-1B	206	RGKIT
Washdown**	5PY, RPY444	422969-4B	430	RGKIT
Washdown**	BC42, BC46	422969-7B	430	RGKIT
TENV	M45E1000 (RE045) (2)	417708-78	150	RGKIT

## TACHOMETER - CUSTOMER MOUNTED - MOUNTING KITS NOT INCLUDED

Tachometer Type	Description Volts / 1000 RPM	Ordering Number	List Price	Discount Symbol
RE-007	DC-7V	417708-43	\$540	RGKIT
RE-020	DC-20.8	417708-44	540	RGKIT
RPY444	DC-50V	417708-45	830	RGKIT
RPY444	DC-100V	417708-46	830	RGKIT
RE-050(1)*	AC-50V(56C)	417708-47	780	RGKIT
RE-050(1)*	AC-50V(140TC)	417708-48	780	RGKIT
M45E1000 (RE045) (2)	AC-45V	607980-84A	350	RGKIT

\*Washdown Duty

\*\* for use with Washdown Duty DC motors Only

(1) Double C-Face tach. Mounting kit not required for drive end mounting.

(2) M45E1000 replaces RE045

For factory mounting of tachometer provisions and/or tachs to stock DC motors, see DCFast Modification page.



# DCFast

The DCFast program replaces the “stock motor modifications” program. DCFast modifications will be shipped in 4 weeks or less from the Gainesville Motor Plant.

## HOW TO PRICE DCFast BASIC MOTOR MODIFICATIONS

1. Determine model number and list price of the stock motor you wish to modify
2. Determine total list price for the modification you require from below
3. Multiply list price (basic + modifications) by the RMO31 (Use production quantity 5+ multiplier for any quantity)

Modification	List Price Adders 56 Frame DC
<b>ALTITUDE/AMBIENT</b> - See NAMEPLATES	
<b>BALANCE</b> - 0.0010 inch, peak-to-peak	\$30
<b>BRAKES</b> Double C-face to C-face motor output shaft (not applicable to XP)	
- 3 ft. - lbs	370
- 6 ft. - lbs	410
- 10 ft. lbs	480
-15 ft. lbs	560
<b>INSULATION</b> - Addition of tropical, anti-fungus treatment to windings for FJ	60
<b>LEADS</b> - Conversion to extra length leads with standard material	20 Per Ft.
<b>NAMEPLATES</b> -	
• Re-nameplating or re-rating for altitude, ambient, service factor	30
• Addition of second nameplate for customer data	30
<b>SLINGER</b> - Addition of rubber V-ring slinger on shaft extension	30
<b>SPECIAL PAINT COLOR</b> - Reliance Approved Formula	95
<b>TACH PROVISIONS</b> - Includes stub shaft, adapter & coupling for the following only. Not applicable to XP	
• RE020, RE007, M45E1000 (RE045) (2)	150
• RPY444, 5PY, BC42 OR BC46	264
<b>TACHOMETERS</b> - Tachometers mounted on model number D-C motors	
<b>TACHOMETERS</b>	
• RE007	740
• RE020- #602473-1A	740
• M45E1000 (RE045) (2)	740
• RE050 #607980-25	740
• RPY444	1,520
• 5PY #R59E1050 or R59E1100	3,037
<b>ENCODERS</b>	
Hollow Shaft Type	1,500
• BEI HS35 1024,2048PPR, single output. Available on TEFC & Washdown Motors only	
<b>RESOLVERS</b>	
• 800123-2R Resolver	2,455
• 800123-2S Resolver	2,741
<b>TEST</b> - Perform routine test and provide routine test report (per motor tested)	50

Non-shaded Areas - 2 Weeks Delivery  
 Shaded Areas - 4 Week Delivery  
 (2) M45E1000 replaces RE045

For pricing information or to place orders, go to [www.PTplace.com](http://www.PTplace.com)



## Artisan Technology Group is your source for quality new and certified-used/pre-owned equipment

- FAST SHIPPING AND DELIVERY
- TENS OF THOUSANDS OF IN-STOCK ITEMS
- EQUIPMENT DEMOS
- HUNDREDS OF MANUFACTURERS SUPPORTED
- LEASING/MONTHLY RENTALS
- ITAR CERTIFIED SECURE ASSET SOLUTIONS

### SERVICE CENTER REPAIRS

Experienced engineers and technicians on staff at our full-service, in-house repair center

### *InstraView*<sup>SM</sup> REMOTE INSPECTION

Remotely inspect equipment before purchasing with our interactive website at [www.instraview.com](http://www.instraview.com) ↗

### WE BUY USED EQUIPMENT

Sell your excess, underutilized, and idle used equipment. We also offer credit for buy-backs and trade-ins. [www.artisanng.com/WeBuyEquipment](http://www.artisanng.com/WeBuyEquipment) ↗

### LOOKING FOR MORE INFORMATION?

Visit us on the web at [www.artisanng.com](http://www.artisanng.com) ↗ for more information on price quotations, drivers, technical specifications, manuals, and documentation

**Contact us:** (888) 88-SOURCE | [sales@artisanng.com](mailto:sales@artisanng.com) | [www.artisanng.com](http://www.artisanng.com)