

CPU Cards & SBC
Backplane Boards
Industrial Chassis
Industrial Power Supplies
Virtual Disk Cards / Drivers

ACQUTEK
C O R P O R A T I O N
714.993.4964 FAX:714.459.8482 sales@acqu.com

Panel PC / TFT Display
AD D/A & Digital I/O Cards
Isolated I/O Boards
Communication Products
CCTV (CCD) Cameras

[Home](#) - [Product Index](#) - [Contact & Ordering](#) - [Support](#) - [Calendar](#) - [Download](#) - [Y2K](#) - [Clearance](#)

Similar [\[PS/2 ACE-920A - ACE-925A - ACE-935A - ACE-935B - ACE-932A - ACE-932T - ACE-925T -](#)
Related [Type ACE-925C - ACE-916V](#)
Products [\[ATX ACE-828A - ACE-828T - ACE-828C](#)
[Type](#)
[\[Others\]ACE-855A - ACE-855C - ACE-845V - ACE-870A - ACE-870T - ACE-870C - ACE-865V -](#)
[ACE-890A - ACE-890P - ACE-890T - ACE-890C - ACE-890V](#)

ACE-925T/925C/916V

Industrial DC Input 250W/160W Power Supplies



Features

- 85-265V AC input for ACE-920A/ACE-925A
- 80-140V AC input for ACE-935A
- 170-270V AC input for ACE-935B
- 40A +5V output (ACE-935A)
- Additional P10 (+5V, GND) connection to mother
- 47-64Hz and 440Hz input frequency
- 60KHz switching frequency control
- 0 - +55°C operating temperture
- High reliability "Ball Bearing" cooling fan
- High precision and stable DC output for long term operating
- UL 1950 D3 approved
- TUV EN60950 approved
- Comply with FCC socket 20780 class B

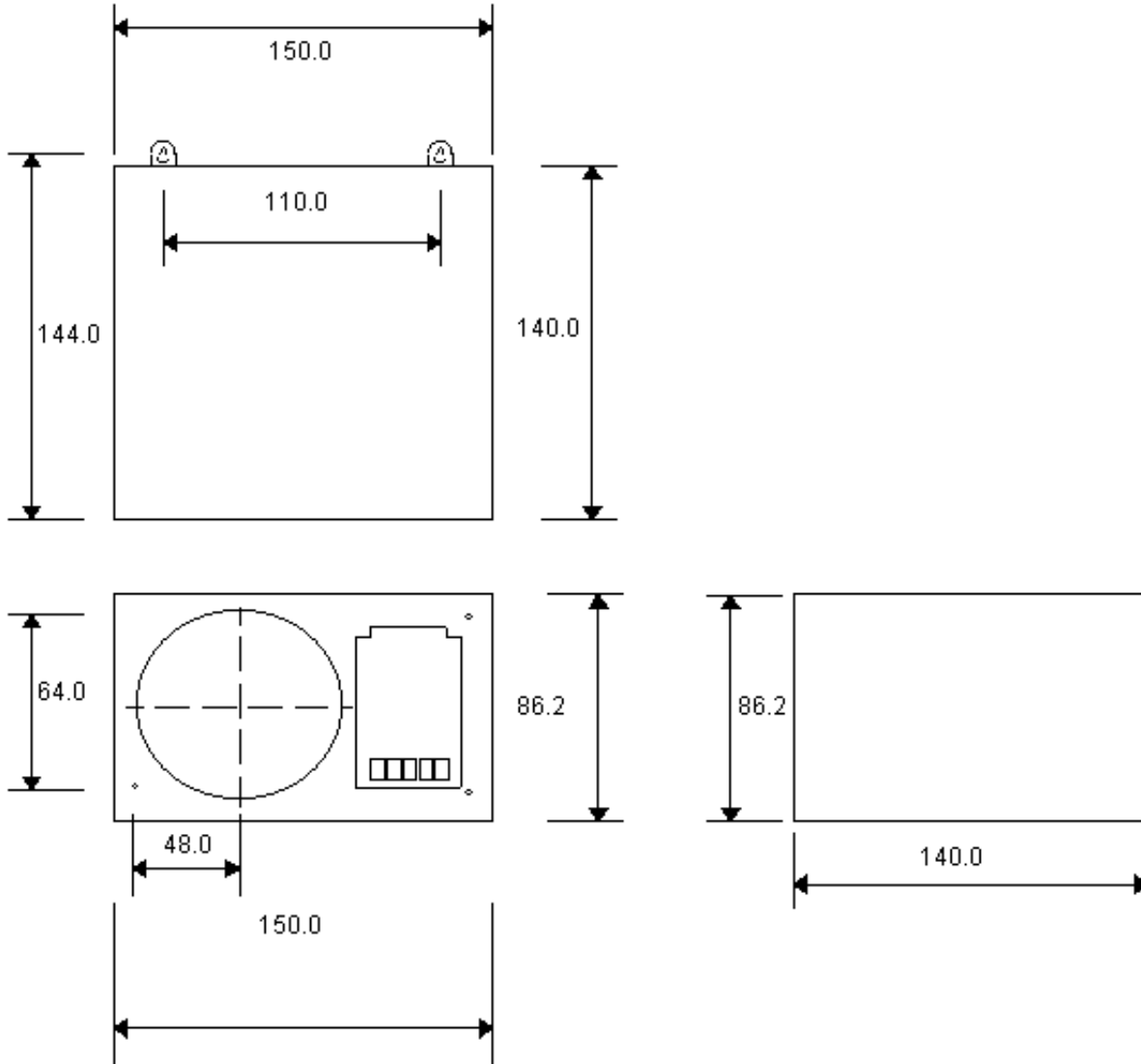
Model Number

Model No.	Input Voltage Range		Maximum Outputs Current						MTBF (hours)	Operating Temp.
			+5V	+12V	-5V	-12V	+3.3V	+5Vsb		
ACE-925T	DC	-40-65V	25A	8A	1A	2A			198,500	0 - +55°C

ACE-925C	DC	19-30V	25A	7A	1A	2A			206,000	0 - +55°C
ACE-916V	DC	8.5-16V	20A	4A	0.5A	0.5A			202,500	0 - +55°C

The maximum output currents are based on 50°C operating temperature, when the power supply is operated at 55-55°C, the maximum output currents will be approximately 90 of above figures.

Dimension



Copyright © 1996 - 2000 by Acqutek Corporation, Inc.