



Artisan Technology Group is your source for quality new and certified-used/pre-owned equipment

- FAST SHIPPING AND DELIVERY
- TENS OF THOUSANDS OF IN-STOCK ITEMS
- EQUIPMENT DEMOS
- HUNDREDS OF MANUFACTURERS SUPPORTED
- LEASING/MONTHLY RENTALS
- ITAR CERTIFIED SECURE ASSET SOLUTIONS

SERVICE CENTER REPAIRS

Experienced engineers and technicians on staff at our full-service, in-house repair center

*InstraView*SM REMOTE INSPECTION

Remotely inspect equipment before purchasing with our interactive website at www.instraview.com ↗

WE BUY USED EQUIPMENT

Sell your excess, underutilized, and idle used equipment. We also offer credit for buy-backs and trade-ins. www.artisanng.com/WeBuyEquipment ↗

LOOKING FOR MORE INFORMATION?

Visit us on the web at www.artisanng.com ↗ for more information on price quotations, drivers, technical specifications, manuals, and documentation

Contact us: (888) 88-SOURCE | sales@artisanng.com | www.artisanng.com



32 Input AC Block I/O Module

Cat. No. 1791-32A0 Series B

Installation

Mount the block I/O module in a vertical (recommended) or horizontal position. Allow sufficient room around the block for cooling air to flow through the block module. Refer to Figure 1.

Figure 1
Mounting Dimensions for the Block I/O Module
Cat. No. 1791-32A0 (PLC version shown)

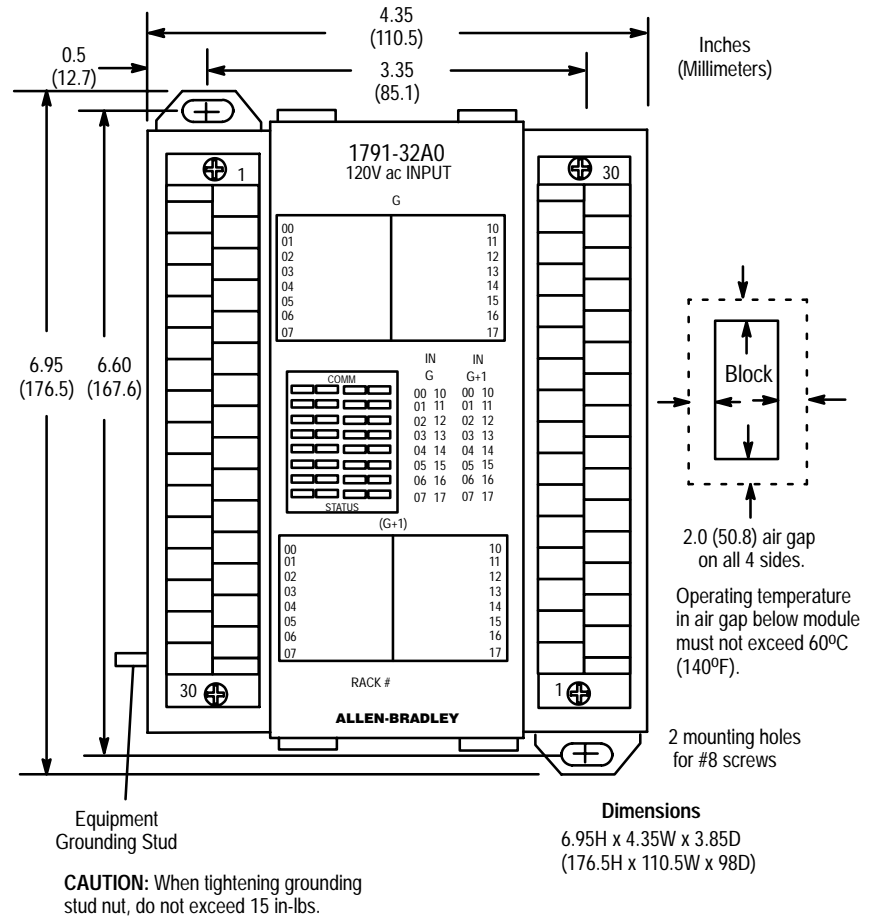


Figure 2
Mounting on a DIN Rail

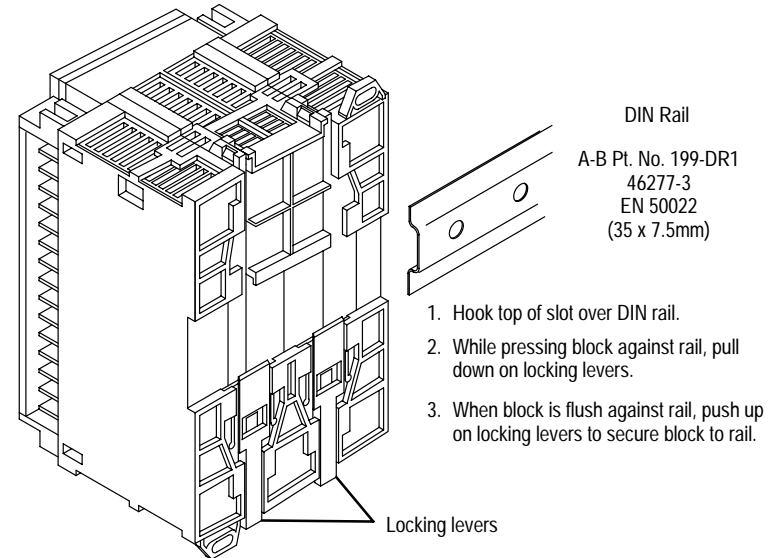


Figure 3
Inserting Labels

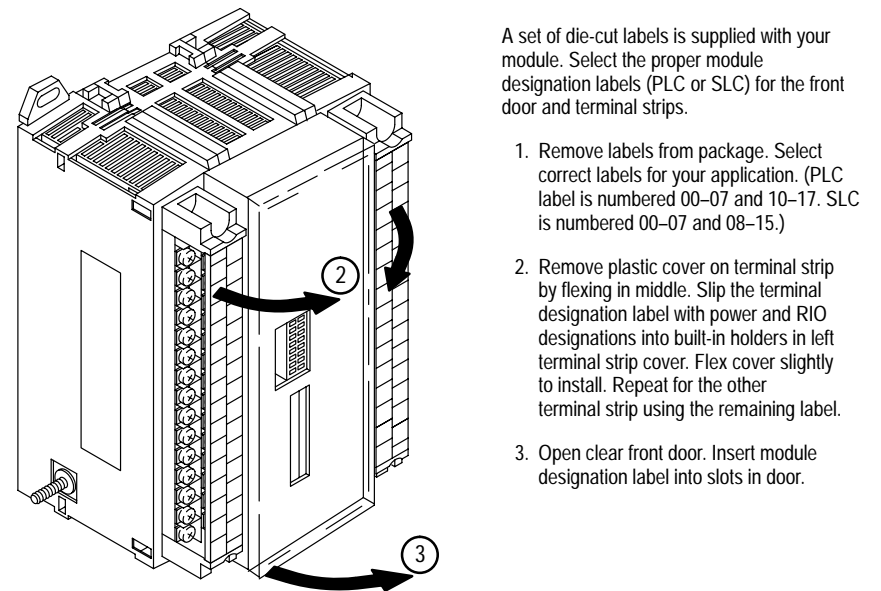
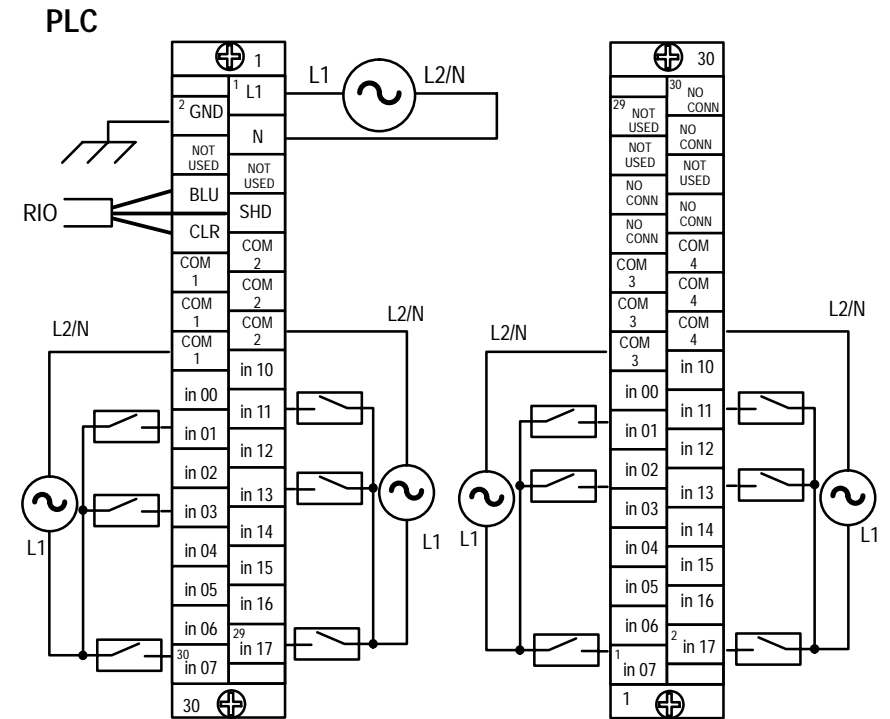


Table A
Acceptable Wiring Cables for Block I/O Connection

Use	Cable Type
Remote I/O link	Belden 9463
Input and output wiring	Up to 14AWG (2mm ²) stranded with 3/64 inch (1.2mm) insulation

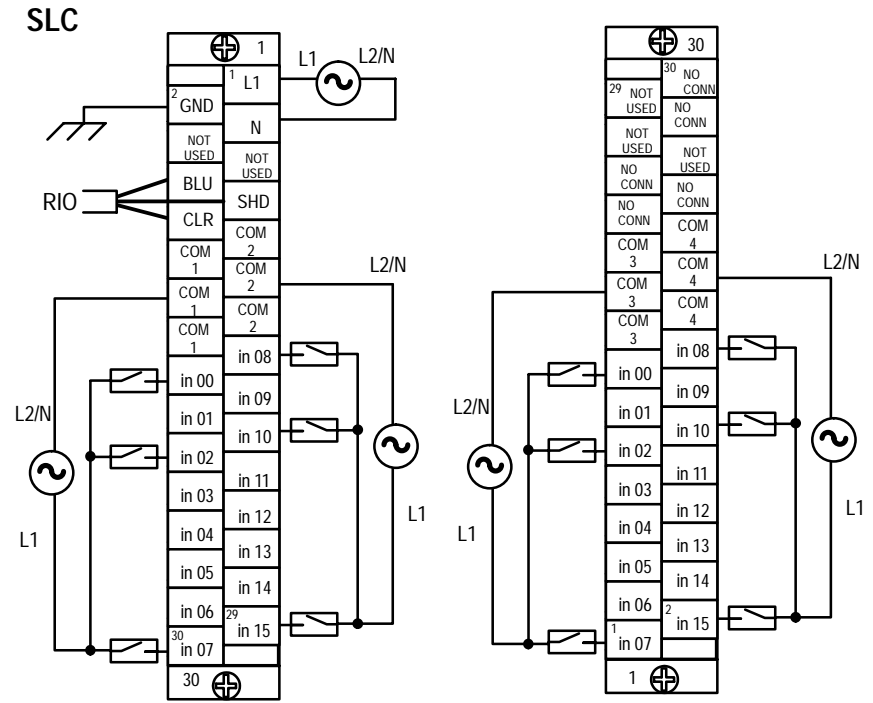
Connect wiring as shown in Figure 4 or Figure 5.

Figure 4
Wiring Connections with PLC Family Programmable Controllers (refer to Table B)



NOTE: COM 1 connections are internally connected together.
 COM 2 connections are internally connected together.
 COM 3 connections are internally connected together.
 COM 4 connections are internally connected together.

Figure 5
Wiring Connections with SLC Family Processors (refer to Table B)



NOTE: COM 1 connections are internally connected together.
 COM 2 connections are internally connected together.
 COM 3 connections are internally connected together.
 COM 4 connections are internally connected together.

The block I/O module has an equipment grounding stud on the lower left side of the module. Connect this grounding stud to your equipment ground. Torque the nut to 15 in-lbs maximum when connecting to your equipment ground.

ATTENTION: Do not overtighten the nut on the grounding stud when connecting the wire. Damage to the module could result.

Refer to “Industrial Automation Wiring and Grounding Guidelines” (1770-4.1) for further information.

Table B
Wiring Block Designations

Connections	1791-32A0 Series B		Connector/Terminal	
	Designation	Description	Left Conn.	Right Conn.
Power Connections	L1	ac hot	1	
	N	ac neutral	3	
	GND	Chassis ground	2 ¹	
Remote I/O Connections	BLU	Blue wire – RIO	6	
	CLR	Clear wire – RIO	8	
	SHD	Shield – RIO	7	
I/O Connections				
Input (G) ⁶	in 00 thru in 07	Input 00 thru 07	16, 18, 20, 22, 24, 26, 28, 30	
	COM 1	L2/N Input Common	10, 12, 14 ²	
	COM 2	L2/N Input Common	9, 11, 13 ³	
	PLC: in 10 thru in 17 SLC: in 08 thru in 15	PLC: Input 10 thru 17 SLC: Input 08 thru 15	15, 17, 19, 21, 23, 25, 27, 29	
Input (G+1) ⁷	in 00 thru in 07	Input 00 thru 07		15, 13, 11, 9, 7, 5, 3, 1
	COM 3	L2/N Input Common		21, 19, 17 ⁴
	COM 4	L2/N Input Common		22, 20, 18 ⁵
	PLC: in 10 thru in 17 SLC: in 08 thru in 15	PLC: Input 10 thru 17 SLC: Input 08 thru 15		16, 14, 12, 10, 8, 6, 4, 2
	Not used	For internal test only; not for customer use.	4, 5	29, 27, 26
	No Conn	No internal connection; customer can use.		30, 28, 25, 24, 23

¹ Connect chassis ground to equipment grounding stud. These are not internally connected.

² Left connector terminals 10, 12 and 14 are internally connected together.

³ Left connector terminals 9, 11 and 13 are internally connected together

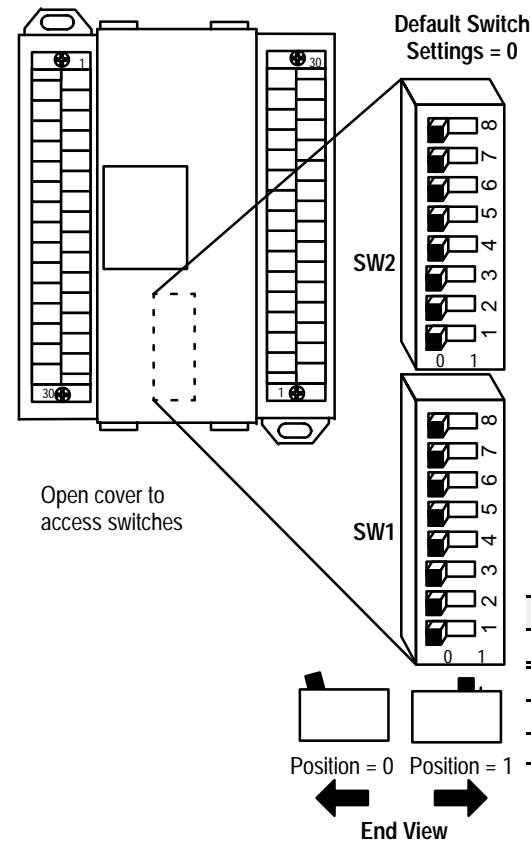
⁴ Right connector terminals 21, 19 and 17 are internally connected together

⁵ Right connector terminals 22, 20 and 18 are internally connected together

⁶ IN (G) = input module group (1 word).

⁷ IN (G+1) = input module group plus 1 word

Figure 6
Switch Settings



SW2-8
Not used

SW2-7
Not Used

SW2-6	Last I/O Group (PLC-2 only)
0	Not last rack
1	Last rack

SW2-5	Processor Restart/Lockout (PRL)
0	Processor Restart
1	Processor Lockout

SW2-4	Hold Last State
0	Reset Outputs
1	Hold Last State

SW2-3	Complementary I/O¹
0	Non-Complemented System
0	Complementary Rack ¹
1	Primary Rack ¹

¹ See note.

Communication Rate		
SW2-2	SW2-1	Bits/s
0	0	57.6 K
0	1	115.2 K
1	0	230.4 K
1	1	230.4 K

Starting Quarter		
SW1-2	SW1-1	Module Group
0	0	0 (1st)
0	1	2 (2nd)
1	0	4 (3rd)
1	1	6 (4th)

ATTENTION: Cycle power to the module after setting the switches.

Only block I/O modules with all inputs or all outputs can use complementary I/O.

NOTE: Set switch **SW2-3** to 0 if this rack will have a unique address (not complemented). If this rack address is a duplicate of another I/O block or chassis, set the switch to 1 for primary or 0 for complementary. Refer to Table C for the complementary I/O rack address.

1747-SN Rack Number	1771-SN Rack Number	PLC-2 Rack Number	PLC-5 Rack Number	PLC-5/250 Rack Number	PLC-3 Rack Number	SW1 Switch Position					
						8	7	6	5	4	3
Rack 0	Rack 1	Rack 1	Not Valid	Rack 0	Rack 0	0	0	0	0	0	0
Rack 1	Rack 2	Rack 2	Rack 1	Rack 1	Rack 1	0	0	0	0	0	1
Rack 2	Rack 3	Rack 3	Rack 2	Rack 2	Rack 2	0	0	0	0	1	0
Rack 3	Rack 4	Rack 4	Rack 3	Rack 3	Rack 3	0	0	0	0	1	1
	Rack 5	Rack 5	Rack 4	Rack 4	Rack 4	0	0	0	1	0	0
	Rack 6	Rack 6	Rack 5	Rack 5	Rack 5	0	0	0	1	0	1
	Rack 7	Rack 7	Rack 6	Rack 6	Rack 6	0	0	0	1	1	0
			Rack 7	Rack 7	Rack 7	0	0	0	1	1	1
			Rack 10	Rack 10	Rack 10	0	0	1	0	0	0
			Rack 11	Rack 11	Rack 11	0	0	1	0	0	1
			Rack 12	Rack 12	Rack 12	0	0	1	0	1	0
			Rack 13	Rack 13	Rack 13	0	0	1	0	1	1
			Rack 14	Rack 14	Rack 14	0	0	1	1	0	0
			Rack 15	Rack 15	Rack 15	0	0	1	1	0	1
			Rack 16	Rack 16	Rack 16	0	0	1	1	1	0
			Rack 17	Rack 17	Rack 17	0	0	1	1	1	1
			Rack 20	Rack 20	Rack 20	0	1	0	0	0	0
			Rack 21	Rack 21	Rack 21	0	1	0	0	0	1
			Rack 22	Rack 22	Rack 22	0	1	0	0	1	0
			Rack 23	Rack 23	Rack 23	0	1	0	0	1	1
			Rack 24	Rack 24	Rack 24	0	1	0	1	0	0
			Rack 25	Rack 25	Rack 25	0	1	0	1	0	1
			Rack 26	Rack 26	Rack 26	0	1	0	1	1	0
			Rack 27	Rack 27	Rack 27	0	1	0	1	1	1
				Rack 30	Rack 30	0	1	1	0	0	0
				Rack 31	Rack 31	0	1	1	0	0	1
				Rack 32	Rack 32	0	1	1	0	1	0
				Rack 33	Rack 33	0	1	1	0	1	1
				Rack 34	Rack 34	0	1	1	1	0	0
				Rack 35	Rack 35	0	1	1	1	0	1
				Rack 36	Rack 36	0	1	1	1	1	0
				Rack 37	Rack 37	0	1	1	1	1	1
				Rack 40	Rack 40	1	0	0	0	0	0
				Rack 41	Rack 41	1	0	0	0	0	1
				Rack 42	Rack 42	1	0	0	0	1	0
				Rack 43	Rack 43	1	0	0	0	1	1
				Rack 44	Rack 44	1	0	0	1	0	0
				Rack 45	Rack 45	1	0	0	1	0	1
				Rack 46	Rack 46	1	0	0	1	1	0
				Rack 47	Rack 47	1	0	0	1	1	1
				Rack 50	Rack 50	1	0	1	0	0	0

Installation Instructions
 Block I/O
 Cat. No. 1791-32A0 Series B

1747-SN Rack Number	1771-SN Rack Number	PLC-2 Rack Number	PLC-5 Rack Number	PLC-5/250 Rack Number	PLC-3 Rack Number	SW1 Switch Position					
						8	7	6	5	4	3
					Rack 51	1	0	1	0	0	1
					Rack 52	1	0	1	0	1	0
					Rack 53	1	0	1	0	1	1
					Rack 54	1	0	1	1	0	0
					Rack 55	1	0	1	1	0	1
					Rack 56	1	0	1	1	1	0
					Rack 57	1	0	1	1	1	1
					Rack 60	1	1	0	0	0	0
					Rack 61	1	1	0	0	0	1
					Rack 62	1	1	0	0	1	0
					Rack 63	1	1	0	0	1	1
					Rack 64	1	1	0	1	0	0
					Rack 65	1	1	0	1	0	1
					Rack 66	1	1	0	1	1	0
					Rack 67	1	1	0	1	1	1
					Rack 70	1	1	1	0	0	0
					Rack 71	1	1	1	0	0	1
					Rack 72	1	1	1	0	1	0
					Rack 73	1	1	1	0	1	1
					Rack 74	1	1	1	1	0	0
					Rack 75	1	1	1	1	0	1
					Rack 76	1	1	1	1	1	0
					Not Valid	1	1	1	1	1	1

Rack address 77 is an illegal configuration.
 PLC-5/11 processors can scan rack 03.
 PLC-5/15 and PLC-5/20 processors can scan racks 01–03.
 PLC-5/25 and PLC-5/30 processors can scan racks 01–07.
 PLC-5/40 and PLC-5/40L processors can scan racks 01–17.
 PLC-5/60 and PLC-5/60L processors can scan racks 01–27.
 PLC-5/250 processors can scan racks 00–37.

Table C
PLC-2 and PLC-5 With Complementary I/O

PLC-2 Rack Number	PLC-5 Rack Number	SW1 Switch Position					
		8	7	6	5	4	3
Rack 1	Not Valid	0	0	1	0	0	0
Rack 2	Rack 1	0	0	1	0	0	1
Rack 3	Rack 2	0	0	1	0	1	0
Rack 4	Rack 3	0	0	1	0	1	1
Rack 5	Rack 4	0	0	1	1	0	0
Rack 6	Rack 5	0	0	1	1	0	1
Rack 7	Rack 6	0	0	1	1	1	0
	Rack 7	0	0	1	1	1	1

When configured as complementary I/O:
 PLC-2 can scan racks 01–07
 PLC-5/11 can scan rack 03
 PLC-5/20, PLC-5/30, PLC-5/40, PLC-5/60
 can scan racks 01–07

NOTE: Remote rack numbers which can
 have a complementary rack are rack
 numbers 01 thru 07 only.

The SLC 500 controllers communicate with the block I/O using an I/O Scanner module (cat. no. 1747-SN series A). Refer to the user manual for the 1747-SN/A Scanner module for more information.

Important: This block I/O module is **not** compatible with the **1747-DSN** Distributed I/O Scanner module.

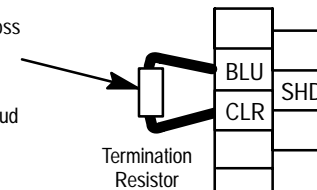
Termination Resistor

A termination resistor must be installed on the last block in a series. Connect the resistor as shown in Figure 7.

Figure 7
Installing the Termination Resistor

Connect termination resistor across terminals 6 (BLU) and 8 (CLR).

150 ohm – 57.6K and 115.2K baud
82 ohm – 230.4K baud

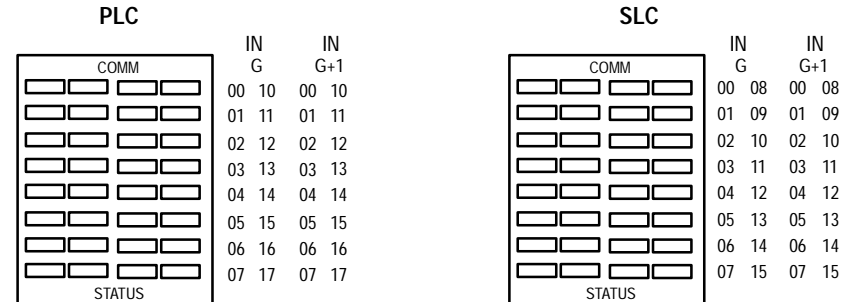


10835-1



ATTENTION: Devices that are operating at 230.4K baud must have 82 ohm terminators in place for proper operation.

Indicators



Indicator		Description
COMM	OFF	Communication not established
	ON	Communication established
	Flashing	Processor in Program mode
STATUS	OFF	Normal
	ON	Error (hardware or software), block power low
	Flashing	COMM FAIL – communication cable disconnected, 100ms between valid frames, no more than 255 valid frames between valid frames addressed to block, 20ms idle time exceeded.

COMM and STATUS will alternately flash when processor restart lockout is selected, a fault has occurred and the processor is communicating with the block.

Fusing

The block I/O module is internally fused to protect the module. No external power fusing is required.

1791-32A0 Specifications

Input Specifications		
Inputs per Block		32 (4 groups of 8)
Nominal Input Current		11.0mA
Nominal Input Voltage		120V ac
On-state Voltage Range		79–132V ac, 47–63Hz
Off-state Voltage	Maximum	35V
On-state Current	Minimum	5mA @ 79V, 60Hz
	Maximum	12.3mA @ 132V, 60Hz
Off-state Current	Minimum	2.3mA (60Hz)
Input Impedance	Maximum	15K ohms @ 60Hz
Input Signal Delay	Off to on	1.0ms
	On to off	26ms (maximum) (allows for 1/2 cycle dropout)

Specifications continued on next page

Installation Instructions
 Block I/O
 Cat. No. 1791-32A0 Series B

General Specifications		
External Power (internally protected - no external fuse required)		
	Voltage	85–132V ac, 47–63Hz
	Current	150mA
Dimensions		
	Inches	6.95H X 4.35W X 3.85D
	Millimeters	176.5H X 110.5W X 98D
Isolation		
	Power supply to RIO	500V ac
	I/O Group-to-Group	1250V ac
	I/O Group-to-Logic	1250V ac
Power Dissipation	Maximum	13.62 Watts
Thermal Dissipation	Maximum	46.44 BTU/hr
Environmental Conditions		
	Operational Temperature	0 to 60°C (32 to 140°F)
	Storage Temperature	–40 to 85°C (–40 to 185°F)
	Relative Humidity	5 to 95% noncondensing
Conductors		
	Wire Size	14 gauge (2mm ²) stranded maximum 3/64 inch (1.2mm) insulation maximum
	Category	1 ¹

¹ You use this conductor category information for planning conductor routing as described in the system level installation manual.



WORLD HEADQUARTERS
 Allen-Bradley
 1201 South Second Street
 Milwaukee, WI 53204 USA



Tel: (414) 382-2000
Telex: 43 11 016
FAX: (414) 382-4444

With offices in major cities worldwide _____



Artisan Technology Group is your source for quality new and certified-used/pre-owned equipment

- FAST SHIPPING AND DELIVERY
- TENS OF THOUSANDS OF IN-STOCK ITEMS
- EQUIPMENT DEMOS
- HUNDREDS OF MANUFACTURERS SUPPORTED
- LEASING/MONTHLY RENTALS
- ITAR CERTIFIED SECURE ASSET SOLUTIONS

SERVICE CENTER REPAIRS

Experienced engineers and technicians on staff at our full-service, in-house repair center

*InstraView*SM REMOTE INSPECTION

Remotely inspect equipment before purchasing with our interactive website at www.instraview.com ↗

WE BUY USED EQUIPMENT

Sell your excess, underutilized, and idle used equipment. We also offer credit for buy-backs and trade-ins. www.artisanng.com/WeBuyEquipment ↗

LOOKING FOR MORE INFORMATION?

Visit us on the web at www.artisanng.com ↗ for more information on price quotations, drivers, technical specifications, manuals, and documentation

Contact us: (888) 88-SOURCE | sales@artisanng.com | www.artisanng.com