



Artisan Technology Group is your source for quality new and certified-used/pre-owned equipment

- FAST SHIPPING AND DELIVERY
- TENS OF THOUSANDS OF IN-STOCK ITEMS
- EQUIPMENT DEMOS
- HUNDREDS OF MANUFACTURERS SUPPORTED
- LEASING/MONTHLY RENTALS
- ITAR CERTIFIED SECURE ASSET SOLUTIONS

SERVICE CENTER REPAIRS

Experienced engineers and technicians on staff at our full-service, in-house repair center

*InstraView*SM REMOTE INSPECTION

Remotely inspect equipment before purchasing with our interactive website at www.instraview.com ↗

WE BUY USED EQUIPMENT

Sell your excess, underutilized, and idle used equipment. We also offer credit for buy-backs and trade-ins. www.artisanng.com/WeBuyEquipment ↗

LOOKING FOR MORE INFORMATION?

Visit us on the web at www.artisanng.com ↗ for more information on price quotations, drivers, technical specifications, manuals, and documentation

Contact us: (888) 88-SOURCE | sales@artisanng.com | www.artisanng.com

Tektronix Logic Analyzers Probes

► P6417 • P6418 • P6419 • P6434



► Features & Benefits

<0.7 pF Total Capacitive Loading Minimizes Intrusion on Circuits

20 k Ω Input Resistance

6.5 V_{p-p} Dynamic Range Supports a Broad Range of Logic Families

General Purpose Probing Allows Flexible Attachment to Industry Standard Connections

Connectorless Probing System Eliminates Need for On-board Connectors

► Applications

Hardware Debug and Verification

Processor/Bus Debug and Verification

Embedded Software Integration, Debug and Verification

Leading Probing Solutions for Real-time Digital Systems Analysis

No test and measurement solution is complete without probing and considering its impact on your system and your measurement time. With the industry's lowest probe loading, the P6419 logic analyzer probe protects the integrity of your signal – minimizing the impact on your design. Select from a variety of attachment mechanisms, including the “connectorless” compression connection that eliminates the need for on-board connectors.

- For applications where circuit board space is limited, the high-density P6419 offers the smallest available footprint.
- Flexible general-purpose probing, with support for 0.100 in. and 2 mm pin spacing, low input capacitance, and accessories for connecting to many industry standard connections.

COMPUTING

COMMUNICATIONS

VIDEO

Tektronix Logic Analyzers Probes

▶ P6417 • P6418 • P6419 • P6434

▶ Characteristics

	P6417	P6418	P6419	P6434
Probe Type	Single-ended Data Single-ended Clock (General Purpose)	Single-ended Data Single-ended Clock (General Purpose)	Single-ended Data Single-ended Clock (Compression 17-channel)	Single-ended Data Single-ended Clock (Mictor 34-channel)
Number of Channels	17	17	17	34
Recommended Use	For most general-purpose applications that require more flexible signal attach	For most general-purpose applications	For Applications requiring good signal density and quick reliable attachment	Recommended for applications requiring many channels to be quickly connected in a small footprint
Attachment to Target System	Fits both 0.100 in and 2 mm square pin configurations		Compression Elastomer	Amp Mictor 34 Channel Connector
Probe Loading AC/DC	2 pF/20 kΩ to 0 V (TLA5000) 2 pF/20 kΩ to 2.2 V (TLA600, TLA7N/P/Qx)	1.4 pF/20 kΩ to 0 V (Data) (TLA5000) 2 pF/20 kΩ to 0V (Clock) (TLA5000) 1.4 pF/20 kΩ to 2.2 V (TLA600, TLA7N/P/Qx) 2 pF/20 kΩ to 2.2 V (TLA600, TLA7N/P/Qx)	< 0.7 pF/20 kΩ to 0 V (TLA5000) < 0.7 pF/20 kΩ to 2.2 V (TLA600, TLA7N/P/Qx)	2 pF/20 kΩ to 0 V (TLA5000) 2 pF/20 kΩ to 2.2 V (TLA600, TLA7N/P/Qx)
Input Range	-5 V to 8 V			
Max Voltage (Non-destruct)	±15 V			
Cable Length	1.8 m (6 ft.)			

▶ Ordering Information

P6417

17-channel General-purpose Probe with Single-ended Data/Clock with Separable Podlets and Accessories.

Includes: Podlet holders, 1-channel leadset, 8-channel single-ended leadset, SMT KlipChip™ grabber tips, probe labels, probe, instruction manual.

P6418

17-channel General-purpose Probe with Single-ended Data/Clock with Grouped Podlets and Accessories.

Includes: 1-channel leadset, 8-channel single-ended leadset, SMT KlipChip grabber tips, probe labels, probe instruction manual.

P6419

17-channel high-density Compression Probe, with Single-ended Data/Clock and Accessories.

Includes: Nut bars, elastomer holder (thin PCBs), elastomer holder (thick PCBs), probe labels, probe instruction manual.

P6434

34-channel High-density Mictor Probe with Single-ended Data/Clock and Accessories.

Includes: Latch housing assembly (Edge-mount), latch housing assembly (vertical), probe labels, probe label instructions, probe instruction manual.

Language Options

L0 – English Manuals.

L99 – No Manuals.

Tektronix Logic Analyzers Probes

▶ P6417 • P6418 • P6419*1 • P6434

► Accessories

Description	P6417		P6418		P6419*1		P6434	
	Quantity Per Probe	Part Number	Quantity Per Probe	Part Number	Qty Per Probe	Part Number	Qty Per Probe	Part Number
Podlet Holders (installed)	2	020-2196-00	–	–	–	–	–	–
1-ch Leadset, Single-ended	1	196-3479-00	1	196-3479-00	–	–	–	–
8-ch Leadset, Single-ended (Black)	2	196-3476-00	2	196-3476-00	–	–	–	–
(Optional) 1-ch Leadset, Single-ended (White)	1	196-3478-00	1	196-3478-00	–	–	–	–
(Optional) 8-ch Leadset, Single-ended Reduced Bias Voltage (White)	2	196-3477-00	2	196-3477-00	–	–	–	–
(Optional) 8-ch Leadset, Single-ended (Black) Set of 4	1	196-3431-00	1	196-3431-00	–	–	–	–
(Optional) 34-channel Probe Interface Kit with Barrel Connectors	1	020-2199-00	1	020-2199-00	–	–	–	–
(Optional) 34-channel Probe Interface Kit with Mini-PV Connectors	1	020-3000-00	1	020-3000-00	–	–	–	–
SMT KlipChip™ Grabber Tips, Bag of 20	1	SMG50	1	SMG50	–	–	–	–
(Optional) One-to-Two Adapter	1	013-0280-00	1 ea	013-0280-00	–	–	–	–
(Optional) Micro KlipChip Grabber Tip Adapter, 4 Each	1	SMK4	1 ea	SMK4	–	–	–	–
Nut bar (Used on <0.093 in. thick PCB), Bag of 2	–	–	–	–	1	020-2453-00	–	–
Elastomer Holder Assembly, Thin (used on <0.093 in. thick PCB), Bag of 2	–	–	–	–	1	020-2451-00	–	–
Elastomer Holder Assembly, Thick (Used on >0.093 in. thick PCB), Bag of 2	–	–	–	–	1	020-2452-00	–	–
Sheet of Probe Labels	1	334-9239-00	1	334-9979-00	1	335-1007-00	1	334-9381-00
One Latch Housing Assembly, Edge-mount	–	–	–	–	–	–	1	105-1088-00
One Latch Housing Assembly, Vertical	–	–	–	–	–	–	1	105-1089-00
(Optional) 1 Each AMP Mictor Connector, Surface-mount	–	–	–	–	–	–	1	131-6134-01
(Optional) 21 Each – AMP Mictor Connector, Surface-mount	–	–	–	–	–	–	1	020-2228-00
(Optional) Mictor-on-PCB to P6419 Probe Adapter	–	–	–	–	1	020-2457-00	–	–
(Optional) Compression-on-PCB to Mictor Adapter, 17 Channel	–	–	–	–	1	020-2455-00	–	–
(Optional) Compression-on-PCB to Mictor Adapter, 34 Channel	–	–	–	–	1	020-2456-00	1	020-2456-00

*1 Recommend PEM KFS-256 or equivalent for >0.093 in. thick PCB.

Tektronix Logic Analyzers Probes

▶ P6417 • P6418 • P6419 • P6434

Contact Tektronix:

ASEAN / Australasia / Pakistan (65) 6356 3900

Austria +43 2236 8092 262

Belgium +32 (2) 715 89 70

Brazil & South America 55 (11) 3741-8360

Canada 1 (800) 661-5625

Central Europe & Greece +43 2236 8092 301

Denmark +45 44 850 700

Finland +358 (9) 4783 400

France & North Africa +33 (0) 1 69 86 80 34

Germany +49 (221) 94 77 400

Hong Kong (852) 2585-6688

India (91) 80-22275577

Italy +39 (02) 25086 1

Japan 81 (3) 6714-3010

Mexico, Central America & Caribbean 52 (55) 56666-333

The Netherlands +31 (0) 23 569 5555

Norway +47 22 07 07 00

People's Republic of China 86 (10) 6235 1230

Poland +48 (0) 22 521 53 40

Republic of Korea 82 (2) 528-5299

Russia, CIS & The Baltics +358 (9) 4783 400

South Africa +27 11 254 8360

Spain +34 (91) 372 6055

Sweden +46 8 477 6503/4

Taiwan 886 (2) 2722-9622

United Kingdom & Eire +44 (0) 1344 392400

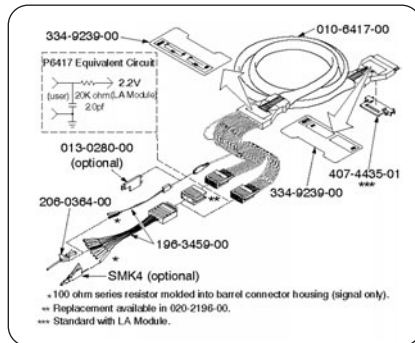
USA 1 (800) 426-2200

USA (Export Sales) 1 (503) 627-1916

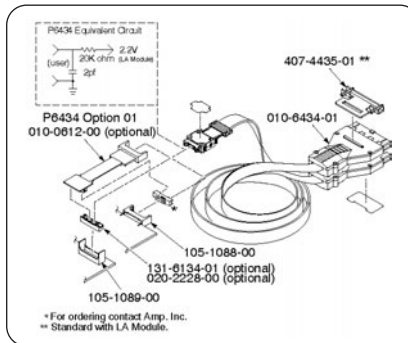
For other areas contact Tektronix, Inc. at: 1 (503) 627-7111

Last Update March 01, 2004

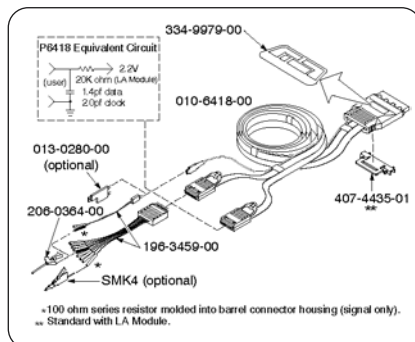
Accessories



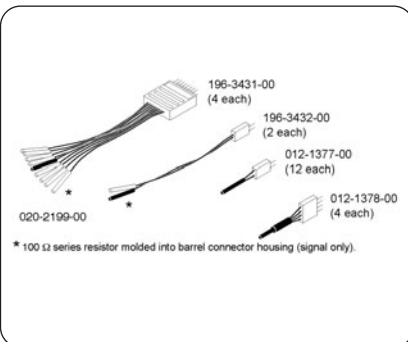
▶ P6417.



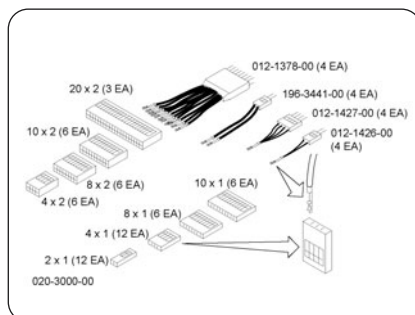
▶ P6434.



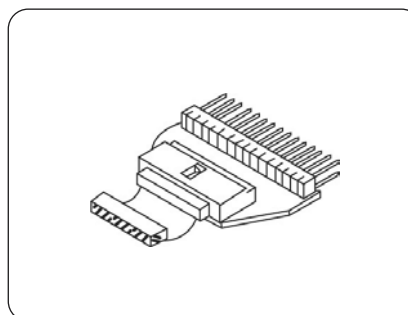
▶ P6418.



▶ 34-channel Probe Interface Kit with Barrel Connectors.



▶ 34-channel Probe Interface Kit with mini-PV Connectors.



▶ UPIK3M.

Our most up-to-date product information is available at: www.tektronix.com



Copyright © 2004, Tektronix, Inc. All rights reserved. Tektronix products are covered by U.S. and foreign patents, issued and pending. Information in this publication supersedes that in all previously published material. Specification and price change privileges reserved. TEKTRONIX and TEK are registered trademarks of Tektronix, Inc. All other trade names referenced are the service marks, trademarks or registered trademarks of their respective companies.

05/04 HB/WOW

52W-17703-0



Artisan Technology Group is your source for quality new and certified-used/pre-owned equipment

- FAST SHIPPING AND DELIVERY
- TENS OF THOUSANDS OF IN-STOCK ITEMS
- EQUIPMENT DEMOS
- HUNDREDS OF MANUFACTURERS SUPPORTED
- LEASING/MONTHLY RENTALS
- ITAR CERTIFIED SECURE ASSET SOLUTIONS

SERVICE CENTER REPAIRS

Experienced engineers and technicians on staff at our full-service, in-house repair center

*InstraView*SM REMOTE INSPECTION

Remotely inspect equipment before purchasing with our interactive website at www.instraview.com ↗

WE BUY USED EQUIPMENT

Sell your excess, underutilized, and idle used equipment. We also offer credit for buy-backs and trade-ins. www.artisanng.com/WeBuyEquipment ↗

LOOKING FOR MORE INFORMATION?

Visit us on the web at www.artisanng.com ↗ for more information on price quotations, drivers, technical specifications, manuals, and documentation

Contact us: (888) 88-SOURCE | sales@artisanng.com | www.artisanng.com