



Artisan Technology Group is your source for quality new and certified-used/pre-owned equipment

- FAST SHIPPING AND DELIVERY
- TENS OF THOUSANDS OF IN-STOCK ITEMS
- EQUIPMENT DEMOS
- HUNDREDS OF MANUFACTURERS SUPPORTED
- LEASING/MONTHLY RENTALS
- ITAR CERTIFIED SECURE ASSET SOLUTIONS

SERVICE CENTER REPAIRS

Experienced engineers and technicians on staff at our full-service, in-house repair center

*InstraView*SM REMOTE INSPECTION

Remotely inspect equipment before purchasing with our interactive website at www.instraview.com ↗

WE BUY USED EQUIPMENT

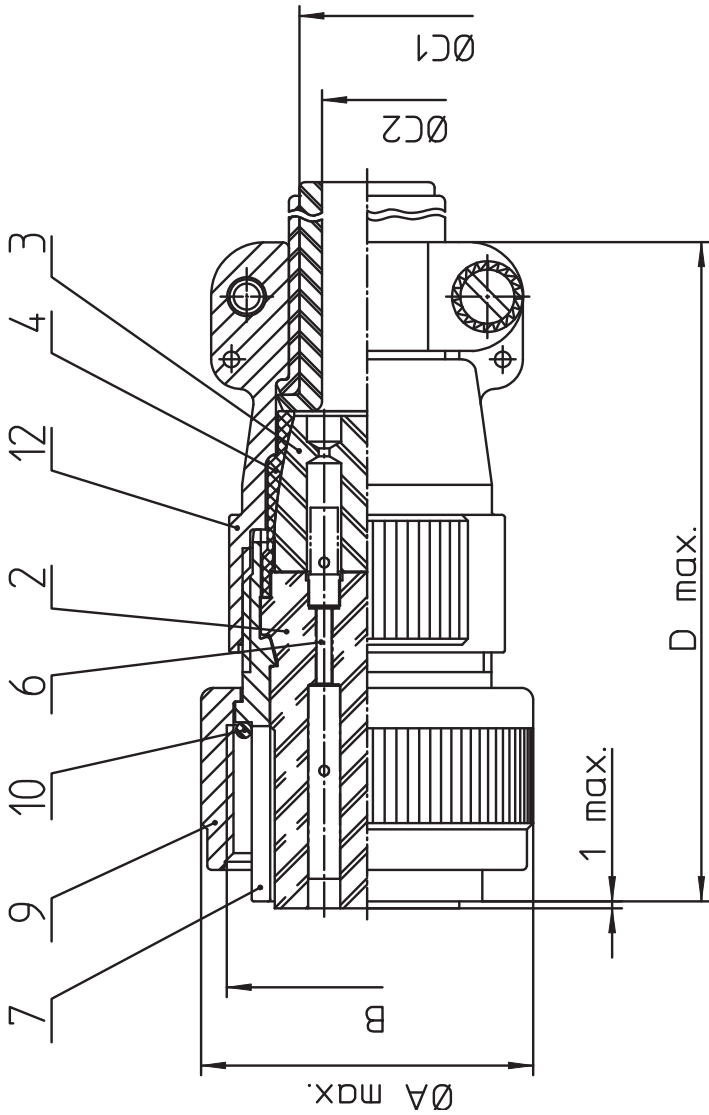
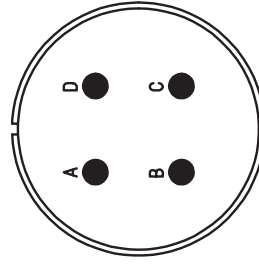
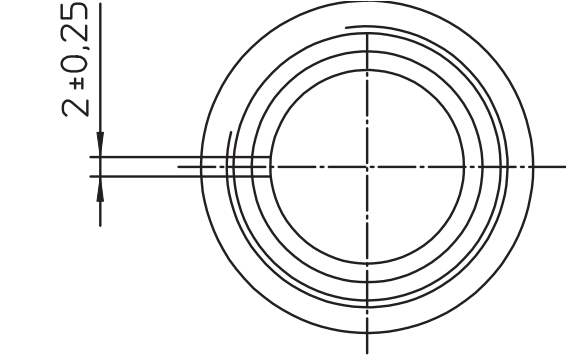
Sell your excess, underutilized, and idle used equipment. We also offer credit for buy-backs and trade-ins. www.artisanng.com/WeBuyEquipment ↗

LOOKING FOR MORE INFORMATION?

Visit us on the web at www.artisanng.com ↗ for more information on price quotations, drivers, technical specifications, manuals, and documentation

Contact us: (888) 88-SOURCE | sales@artisanng.com | www.artisanng.com

NO.	MASSE / DIMENSIO
A	37.4
B	1 1/4-18NEF-2B
C1	15.9
C2	-
D	68



NO.	BESCHREIBUNG / DESCRIPTION
2	ISOLIERKÖRPER BUCHSE / INSULATOR SOCKET
3	DICKKÖRPER / GROMMET
4	ENDRING / ENDRING
6	KONTAKTBUCHSE / CONTACT SOCKET
7	ZYLINDERGHÄUSE / BARREL
9	ÜBERWURFMUTTER / COUPLING NUT
10	DICHRING FRONT / FRONT SEALING RING
12	ENDGEHÄUSE / ENDBELL

Note: Due to an automatic nomenclature system, numbers generated may not be sequential.
 Note: Durch ein automatisches Benennungssystem können Nummerierungen entstehen, die nicht fortlaufend sind.

Material Specification: _____
 Shell Material: Aluminium alloy
 Shell Plating: Olive drab chromate coating over cadmium plating
 Insulator Material: Neoprene

all dimensions are in mm
 Dimensions without tolerance indications are general tolerances in acc. with DIN7168m

Cannon
 ITT Industries
 ITT CANNON GmbH
 D-71334 Weissstadt, Germany

drawing for
 CUSTOMER

description
 MS3106F20-4S
 Plug, straight
 Shortened light-weight endbell without cable clamp
 Solder Cup / Socket / Layout: 20-4

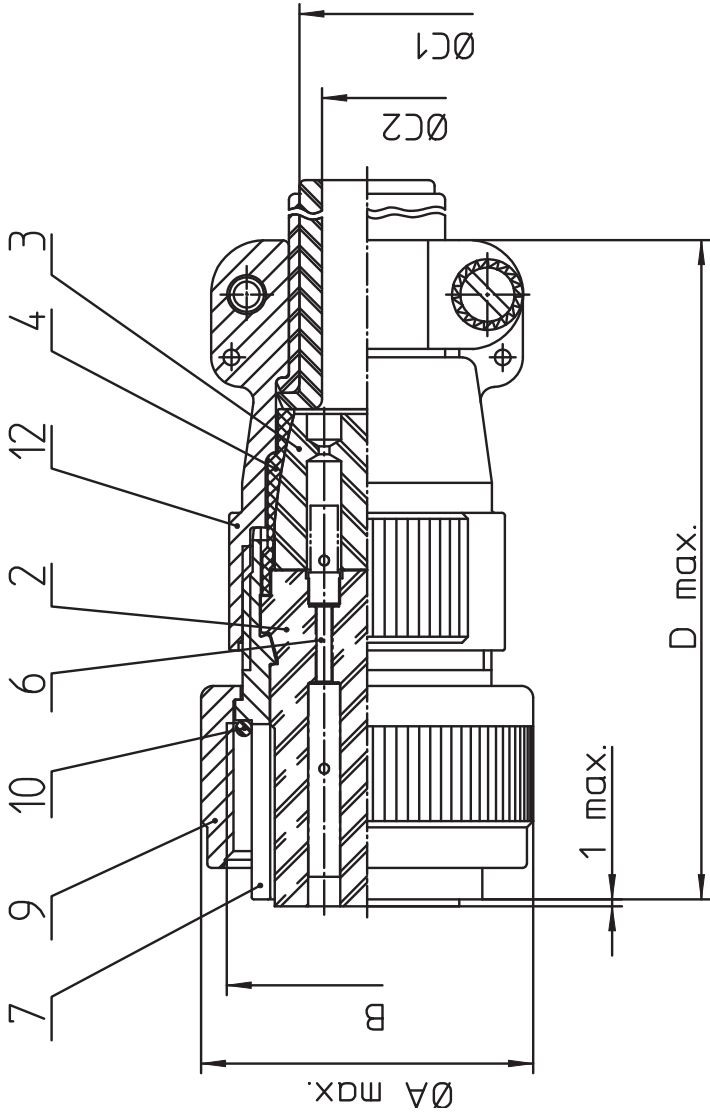
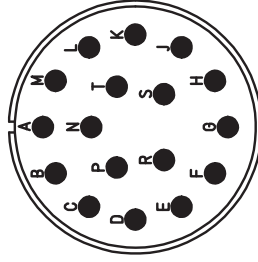
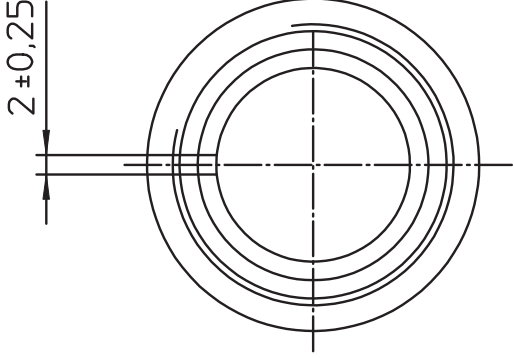
PART NUMBER:MS3106F20-4S

Thread	Connector with threaded Coupling
Shell Style	Plug, straight
Endbell Style	Shortened light-weight endbell without cable clamp
Gender	Socket
Shell Size	20
Contact Arrangement	20-4
Number of contacts	4 contacts size 12
Contact Type	Solder Cup
Contact Plating	Hard silver
Shielding	no
Contact Rating at +20 °C (68 °F) (Size 25/12)	41 A
Contact Resistance (Size 25/12)	3 mΩ
Operating Voltage	In case of voltages greater than 50V the connector must be used in accordance with DIN VDE part 410, IEC 60364-4-41.
Insulator Resistance	Acc. To VG95319, part 2, test no. 5.12 and VG95210, part 32, test conditions B, standard insulator material > 1000 MΩ
Test Voltage	2500 Vrms
Air and Creepage Paths (Min)	2,8 mm
Ambient Temperature	Standard insulator material -55/+125°C (-67/257°F)
Safety Provisions	IP67 acc. to DIN 40 050 (1 bar pressure after 12 hrs)
Mating Cycles	500 min
Sep. Force per Contact (Size 25/12)	1,5 N
Gage	For infos on Gage please see catalog VG95234, part 1
Coupling Torque	Closing: 9 Nm max / Opening: 0,7 Nm min
Contact Retention (Size 25/12)	55 N
Shell Material	Aluminium alloy
Shell Plating	Olive drab chromate coating over cadmium plating
Insulator and Gromet Material	Neoprene
Contact Material	Copper alloy

PART NUMBER:MS3106F20-29S

Thread	Connector with threaded Coupling
Shell Style	Plug, straight
Endbell Style	Shortened light-weight endbell without cable clamp
Gender	Socket
Shell Size	20
Contact Arrangement	20-29
Number of contacts	17 contacts size 16
Contact Type	Solder Cup
Contact Plating	Hard silver
Shielding	no
Contact Rating at +20 °C (68 °F) (Size 15/15S/16/16S)	22 A
Contact Resistance (Size 15/15S/16/16S)	6 mΩ
Operating Voltage	In case of voltages greater than 50V the connector must be used in accordance with DIN VDE part 410, IEC 60364-4-41.
Insulator Resistance	Acc. To VG95319, part 2, test no. 5.12 and VG95210, part 32, test conditions B, standard insulator material > 1000 MΩ
Test Voltage	1600 Vrms
Air and Creepage Paths (Min)	1,1 mm
Ambient Temperature	Standard insulator material -55°+125°C (-67/257°F)
Safety Provisions	IP67 acc. to DIN 40 050 (1 bar pressure after 12 hrs)
Mating Cycles	500 min
Sep. Force per Contact (Size 15/15S/16/16S)	1,0 N
Gage	For infos on Gage please see catalog VG95234, part 1
Coupling Torque	Closing: 9 Nm max / Opening: 0,7 Nm min
Contact Retention (Size 15/15S/16/16S)	35 N
Shell Material	Aluminium alloy
Shell Plating	Olive drab chromate coating over cadmium plating
Insulator and Gromet Material	Neoprene
Contact Material	Copper alloy

NO.	MASSE / DIMENSIO
A	37.4
B	1 1/4-18NEF-2B
C1	15.9
C2	-
D	68



NO.	BESCHREIBUNG / DESCRIPTION
2	ISOLIERKÖRPER BUCHSE / INSULATOR SOCKET
3	DICHTKÖRPER / GROMMET
4	ENDRING / ENDRING
6	KONTAKTBUCHSE / CONTACT SOCKET
7	ZYLINDERGHÄUSE / BARREL
9	ÜBERWURFMUTTER / COUPLING NUT
10	DICHRING FRONT / FRONT SEALING RING
12	ENDGEHÄUSE / ENDBELL

Note: Due to an automatic nomenclature system, numbers generated may not be sequential.
 Note: Durch ein automatisches Benennungssystem können Nummerierungen entstehen, die nicht fortlaufend sind.

Material Specification: _____
 Shell Material: Aluminium alloy
 Shell Plating: Olive drab chromate coating over cadmium plating
 Insulator Material: Neoprene

all dimensions are in mm
 Dimensions without tolerance indications are general tolerances in acc. with DIN7168m
 drawing for CUSTOMER

Cannon
 description MS3106F20-29S
 Plug, straight
 Shortened light-weight endbell without cable clamp
 Solder Cup / Socket / Layout: 20-29



Artisan Technology Group is your source for quality new and certified-used/pre-owned equipment

- FAST SHIPPING AND DELIVERY
- TENS OF THOUSANDS OF IN-STOCK ITEMS
- EQUIPMENT DEMOS
- HUNDREDS OF MANUFACTURERS SUPPORTED
- LEASING/MONTHLY RENTALS
- ITAR CERTIFIED SECURE ASSET SOLUTIONS

SERVICE CENTER REPAIRS

Experienced engineers and technicians on staff at our full-service, in-house repair center

*InstraView*SM REMOTE INSPECTION

Remotely inspect equipment before purchasing with our interactive website at www.instraview.com ↗

WE BUY USED EQUIPMENT

Sell your excess, underutilized, and idle used equipment. We also offer credit for buy-backs and trade-ins. www.artisanng.com/WeBuyEquipment ↗

LOOKING FOR MORE INFORMATION?

Visit us on the web at www.artisanng.com ↗ for more information on price quotations, drivers, technical specifications, manuals, and documentation

Contact us: (888) 88-SOURCE | sales@artisanng.com | www.artisanng.com