



Artisan Technology Group is your source for quality new and certified-used/pre-owned equipment

- FAST SHIPPING AND DELIVERY
- TENS OF THOUSANDS OF IN-STOCK ITEMS
- EQUIPMENT DEMOS
- HUNDREDS OF MANUFACTURERS SUPPORTED
- LEASING/MONTHLY RENTALS
- ITAR CERTIFIED SECURE ASSET SOLUTIONS

SERVICE CENTER REPAIRS

Experienced engineers and technicians on staff at our full-service, in-house repair center

*InstraView*SM REMOTE INSPECTION

Remotely inspect equipment before purchasing with our interactive website at www.instraview.com ↗

WE BUY USED EQUIPMENT

Sell your excess, underutilized, and idle used equipment. We also offer credit for buy-backs and trade-ins. www.artisanng.com/WeBuyEquipment ↗

LOOKING FOR MORE INFORMATION?

Visit us on the web at www.artisanng.com ↗ for more information on price quotations, drivers, technical specifications, manuals, and documentation

Contact us: (888) 88-SOURCE | sales@artisanng.com | www.artisanng.com

ZMI™
Cable Guide

OMP-0333M



Zygo Corporation
Laurel Brook Road
P.O. Box 448
Middlefield, Connecticut 06455

Telephone: (860) 347-8506
E-mail: inquire@zygo.com
Website: www.zygo.com

ZYGO CUSTOMER SUPPORT

For help within North America, please use the contacts listed below. For help in other countries, please contact your local Zygo Corp. representative. Be sure to supply the instrument model and serial number, and the software version.



PHONE

Monday - Friday, 8 a.m. - 5 p.m. (Eastern Standard Time)
(800) ZYGO NOW (800) 994-6669
or (860) 704-5191



FAX

(860) 346-4188



INTERNET

www.zygo.com
support@zygo.com



WRITE

Zygo Corporation
Laurel Brook Road
P.O. Box 448
Middlefield, CT 06455-0448
Attn: Customer Support

MANUAL REVISION INFORMATION

The document (OMP) number and the applicable revision letter for this manual appear on the title page. The publication date appears below.

<i>Revision</i>	<i>Publication Date</i>	<i>Revision</i>	<i>Publication Date</i>
original	July 1992	G	May 2000
B	December 1993	H	October 2002
C	December 1994	J	December 2003
D	April 1997	K	October 2008
E	September 1997	L	October 2010
F	August 1998	M	November 2011

MANUAL NOTATIONS



Warning! Denotes a hazard that could cause injury to personnel, and can also cause damage to the equipment.



Note provides helpful information.

NOTICE: The descriptions, drawings, and specifications contained herein are subject to change. ZYGO is not responsible for errors or omissions herein or for incidental damages in connection with the furnishing or use of this information. This document shall not be reproduced, photocopied, or duplicated, in whole or in part, without prior written approval of ZYGO.

ZMI CABLE GUIDE

ZMI CABLE GUIDE

ZYGO's ZMI products are structured as "building-blocks". From the optical components to the circuit boards, to the cables, products can be selected to suit your particular application.

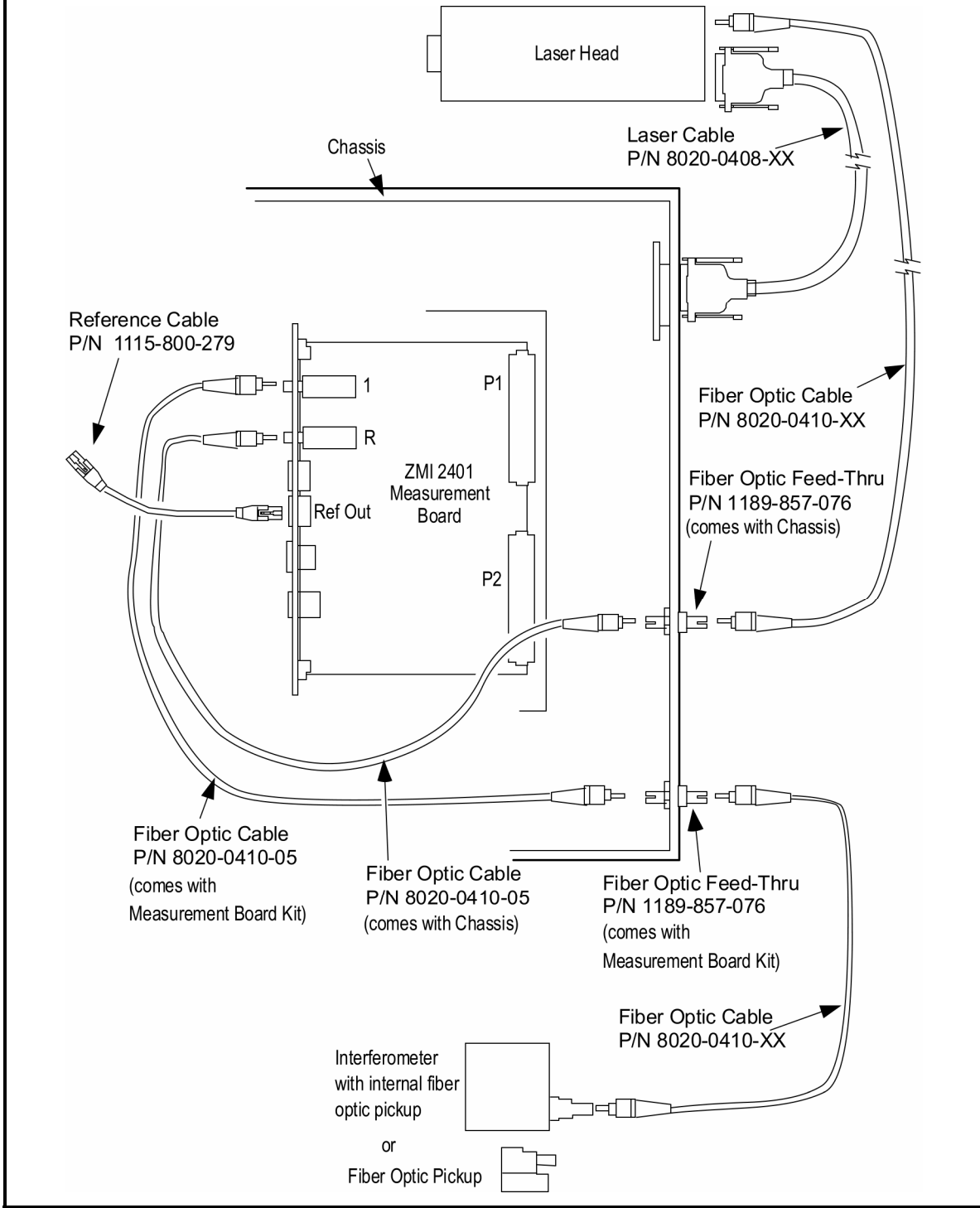
In this cable guide, you'll find overview drawings to help you select and identify the cables you need. For specific information about a particular cable, refer to the detailed specification pages.

If you have questions or additional cabling requirements please contact your ZYGO representative.

<i>Cable Drawing</i>	<i>Page</i>
ZMI System Chassis Based System Cables.....	2
ZMI 2401 VME Backplane Based System Cables.....	3
ZMI 2402 VME Backplane Based System Cables.....	4
Laser Head Cable, P/N 8020-0408-XX.....	5
Laser Head Cable, P/N 1115-801-248.....	6
Laser Head Cable, P/N 1115-801-346.....	7
Fiber Optic Cable, P/N 8020-0410-XX.....	8
Chassis Fiber Optic Feed-Thru, P/N 1189-857-076.....	8
Measurement Board Reference Cable, P/N 1115-800-279.....	9

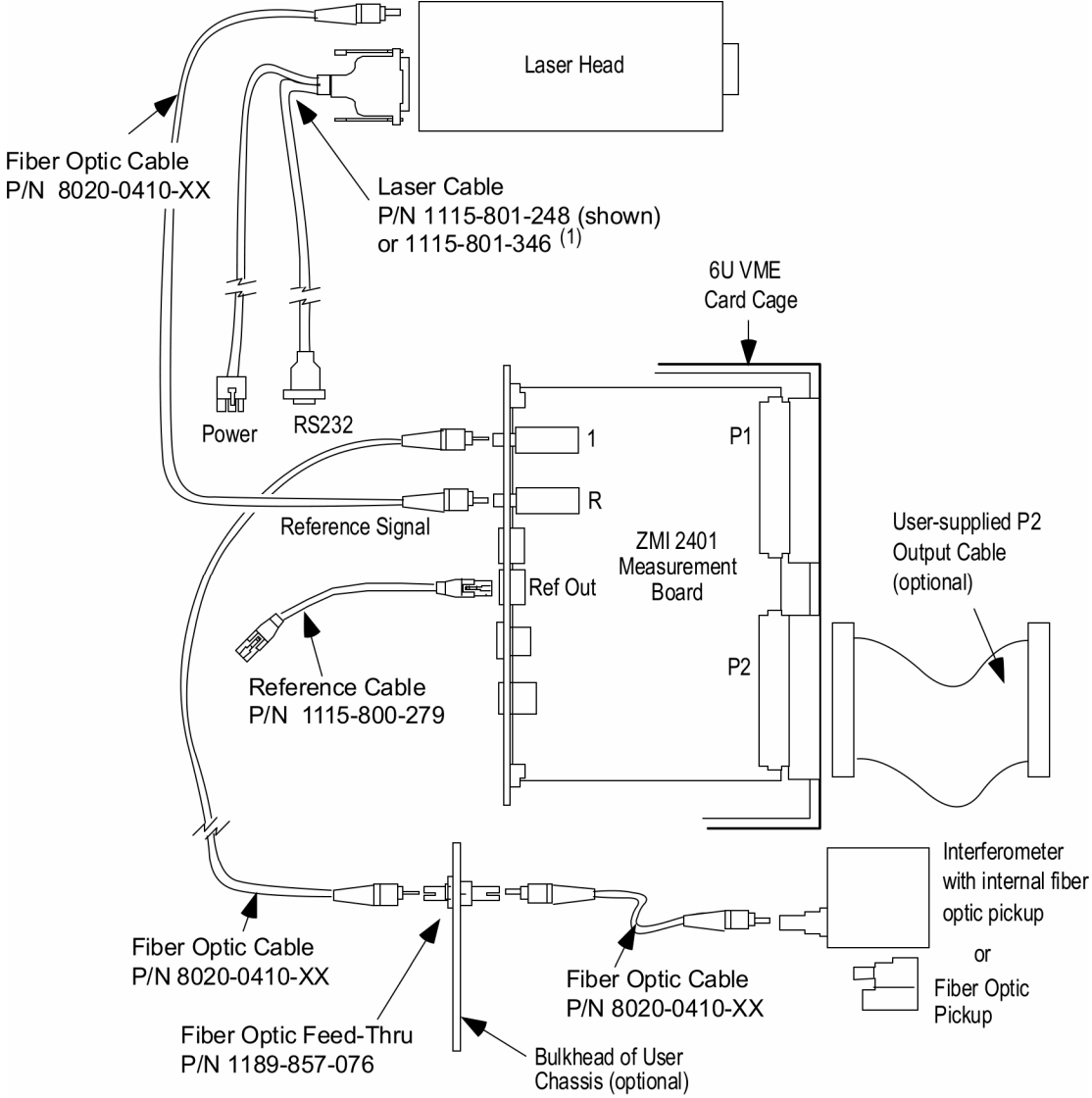
ZMI System Chassis Based System Cables

For use with ZYGO Chassis (P/N 8010-0100-04/-05) and ZMI 2401 Measurement Board Kit (P/N 8020-0104-07).



ZMI 2401 VME Backplane Based System Cables

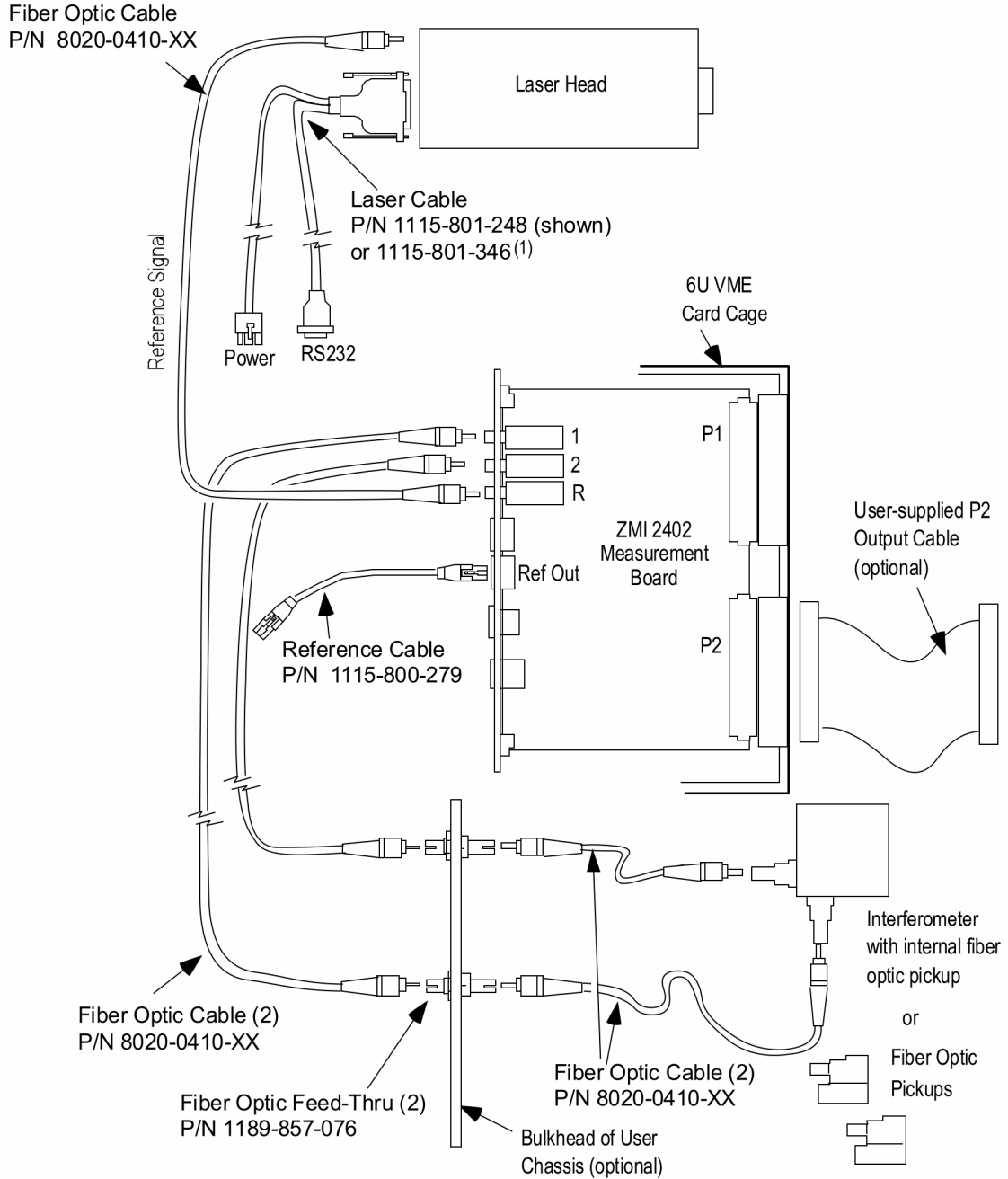
For use with user-supplied VME backplane and ZMI 2401 Measurement Board Kit (P/N 8020-0104-01).



(1) Laser Cable 1115-801-346 connects to the Laser Power Supply (P/N 8010-0105-XX).

ZMI 2402 VME Backplane Based System Cables

For use with user-supplied VME backplane and ZMI 2402 Measurement Board Kit (P/N 8020-0104-02).



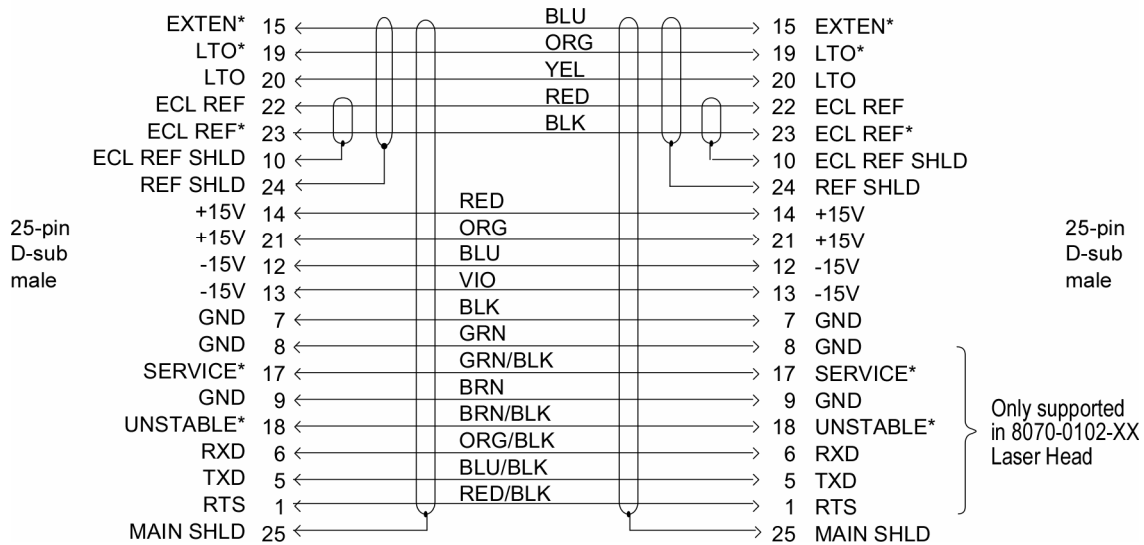
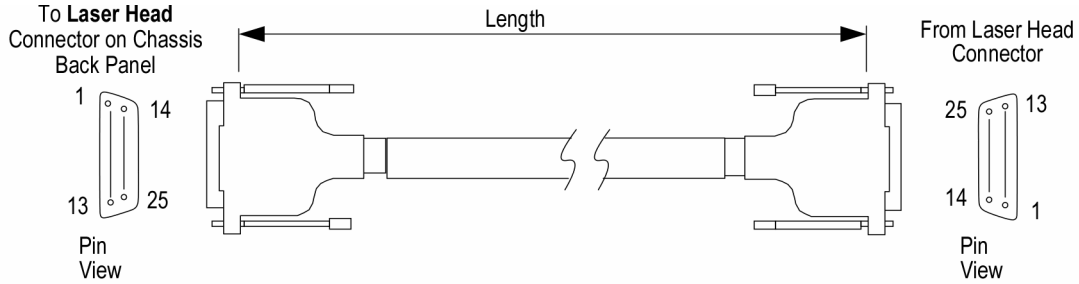
(1) Laser Cable 1115-801-346 connects to the Laser Power Supply (P/N 8010-0105-XX).

Laser Head Cable P/N 8020-0408-XX

For use with ZYGO Laser Heads and the ZMI System Chassis.

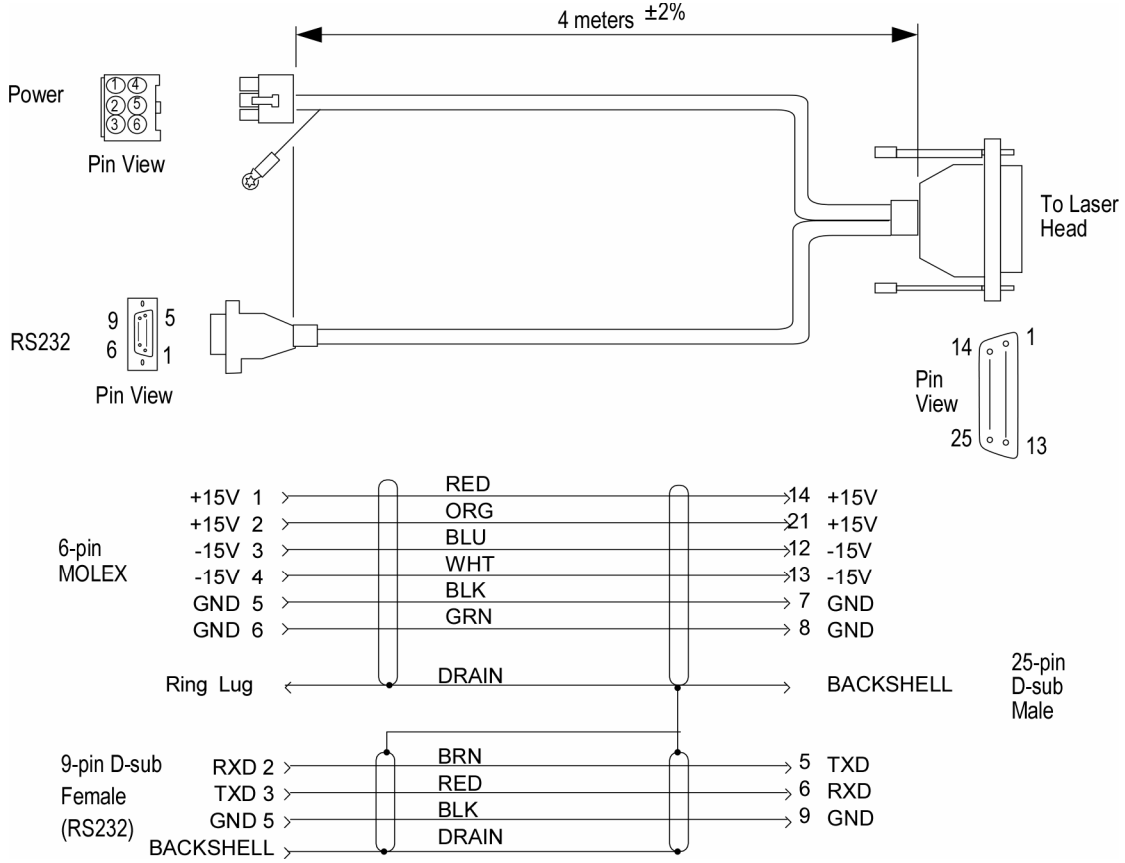
XX	Length
01	3 meters
02	5 meters

* Length tolerance is $\pm 2\%$.



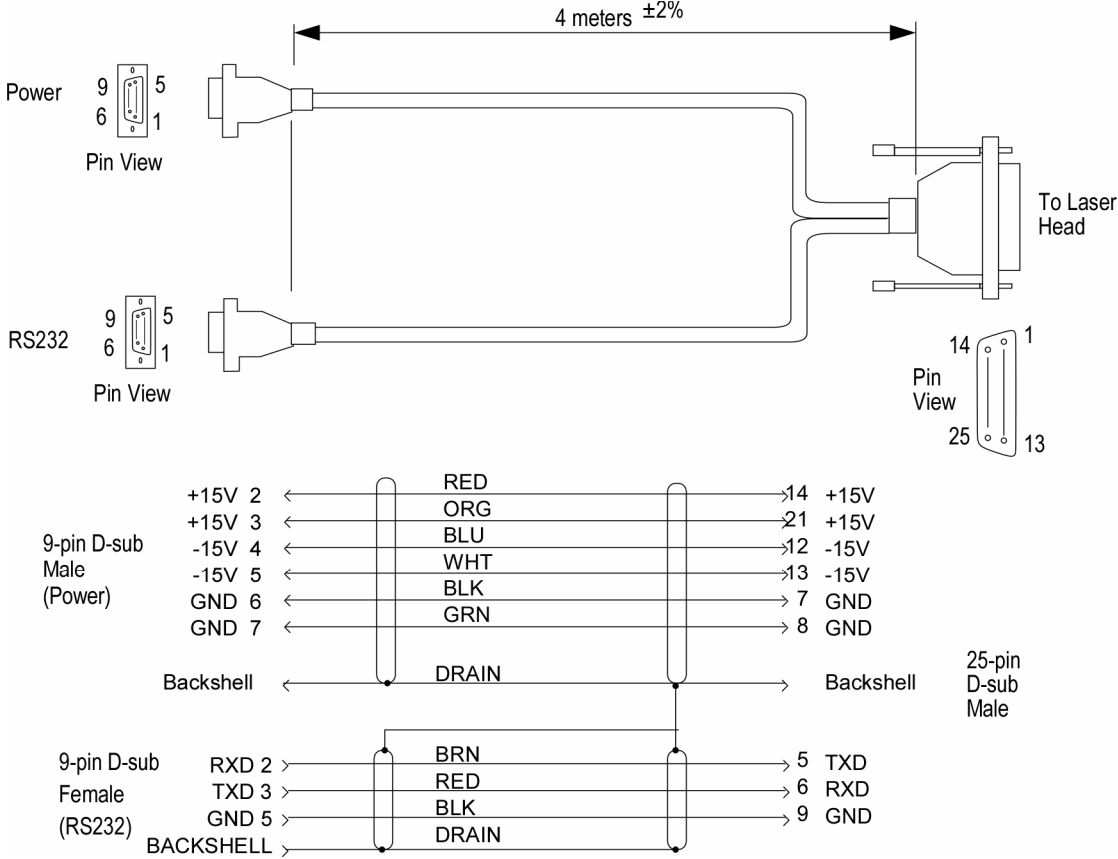
Laser Head Cable P/N 1115-801-248

For use with ZYGO laser heads in a ZMI system with user-supplied chassis and backplane.



Laser Head Cable P/N 1115-801-346

For use with ZYGO laser heads in user-supplied chassis and backplane. The power connector mates to the ZYGO Laser Power Supply (P/N 8010-0105-XX).



Fiber Optic Cable P/N 8020-0410-XX

For use with ZYGO ZMI Measurement Boards.

Size: 400 micron core, multi mode,
3.0 millimeter outside cable diameter.

Connectors: Male ST bayonet at both ends.

Cable Mechanical Specifications:

Minimum Bend Radius (short term): 29 mm

Minimum Bend Radius (long term): 47 mm

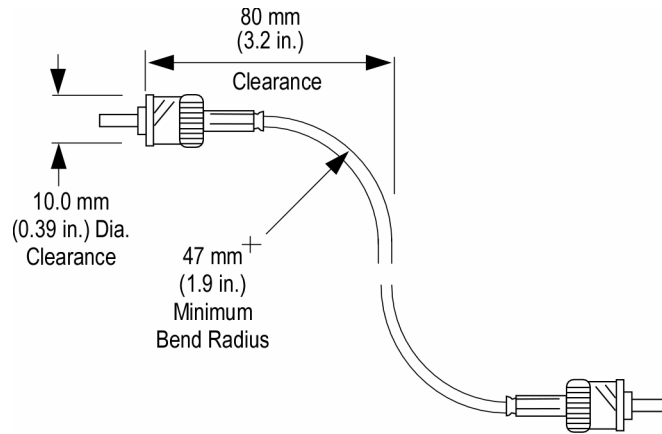
Connector Pull Strength: 15 lb

Environmental:

Operating Temperature: 0° to 70° C (32° to 158° F)

Non-operating Temperature: -20 to 80° C (-4° to 176° F)

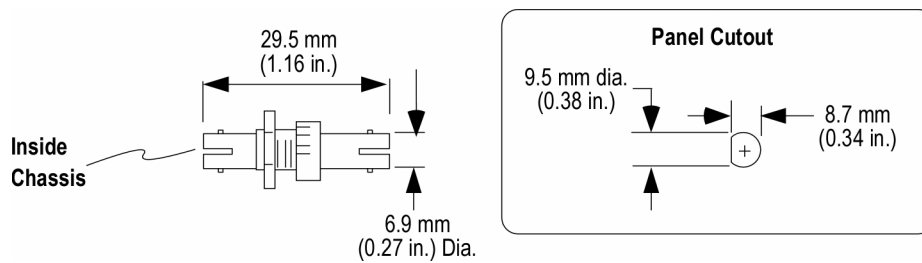
XX	Length	Tolerance
01	1 meter	-0%, +5%
02	3 meters	-0%, +5%
03	5 meters	±0.5%
04	10 meters	±0.5%
05	0.6 meter	-0%, +5%
06	20 meters	±0.5%
07	15 meters	±0.5%
14	6 meters	±0.5%
15	7.5 meters	±0.5%



Chassis Fiber Optic Feed-Thru P/N 1189-857-076

Used to interface two fiber optic cables through a bulkhead panel.

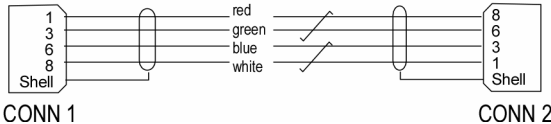
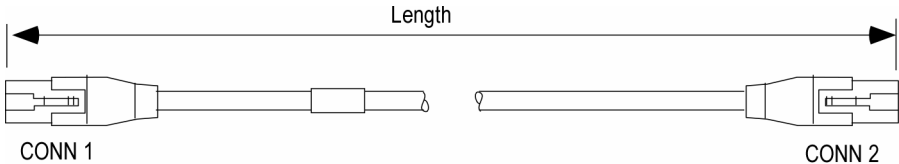
Efficiency: 80-90% typical



Measurement Board Reference (HSSDC) Cable P/N 1115-800-279

Used to daisy chain the reference signal with ZMI 2400 and 4000 series Measurement Boards. The cable has HSSDC (high speed serial data connector) connectors.

P/N	Length	Tolerance
1115-800-279	250 mm	±15 mm





Artisan Technology Group is your source for quality new and certified-used/pre-owned equipment

- FAST SHIPPING AND DELIVERY
- TENS OF THOUSANDS OF IN-STOCK ITEMS
- EQUIPMENT DEMOS
- HUNDREDS OF MANUFACTURERS SUPPORTED
- LEASING/MONTHLY RENTALS
- ITAR CERTIFIED SECURE ASSET SOLUTIONS

SERVICE CENTER REPAIRS

Experienced engineers and technicians on staff at our full-service, in-house repair center

*InstraView*SM REMOTE INSPECTION

Remotely inspect equipment before purchasing with our interactive website at www.instraview.com ↗

WE BUY USED EQUIPMENT

Sell your excess, underutilized, and idle used equipment. We also offer credit for buy-backs and trade-ins. www.artisanng.com/WeBuyEquipment ↗

LOOKING FOR MORE INFORMATION?

Visit us on the web at www.artisanng.com ↗ for more information on price quotations, drivers, technical specifications, manuals, and documentation

Contact us: (888) 88-SOURCE | sales@artisanng.com | www.artisanng.com