



## Artisan Technology Group is your source for quality new and certified-used/pre-owned equipment

- FAST SHIPPING AND DELIVERY
- TENS OF THOUSANDS OF IN-STOCK ITEMS
- EQUIPMENT DEMOS
- HUNDREDS OF MANUFACTURERS SUPPORTED
- LEASING/MONTHLY RENTALS
- ITAR CERTIFIED SECURE ASSET SOLUTIONS

### SERVICE CENTER REPAIRS

Experienced engineers and technicians on staff at our full-service, in-house repair center

### *InstraView*<sup>SM</sup> REMOTE INSPECTION

Remotely inspect equipment before purchasing with our interactive website at [www.instraview.com](http://www.instraview.com) ↗

### WE BUY USED EQUIPMENT

Sell your excess, underutilized, and idle used equipment. We also offer credit for buy-backs and trade-ins. [www.artisanng.com/WeBuyEquipment](http://www.artisanng.com/WeBuyEquipment) ↗

### LOOKING FOR MORE INFORMATION?

Visit us on the web at [www.artisanng.com](http://www.artisanng.com) ↗ for more information on price quotations, drivers, technical specifications, manuals, and documentation

**Contact us:** (888) 88-SOURCE | [sales@artisanng.com](mailto:sales@artisanng.com) | [www.artisanng.com](http://www.artisanng.com)

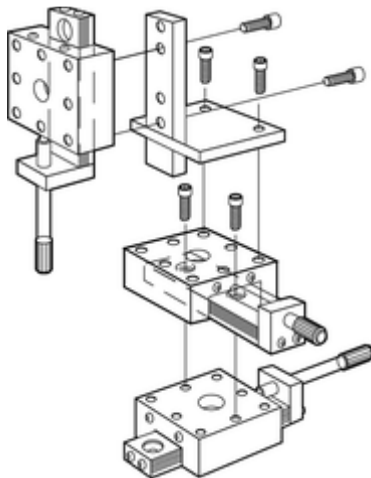
## 411/422 Series

# Miniature Ball Bearing Linear Stages

- 0.5 or 1 in. (13 or 25 mm) travel
- Stackable for compact XY positioning
- Adaptor bracket provides compact XYZ configuration
- Convenient mounting hole pattern
- Ultra-fine, 80-pitch drive screws

Model [411-05S](#) and [422-1S](#) Miniature Ball Bearing Linear Stages are ideal for positioning applications in opto-mechanical instrumentation and laboratory experiments requiring linear motion within a small space. The translating platform rides on a precision ground rail using ball bearings rolling between opposing pairs of hardened and ground steel rods. The stages are preloaded to provide smooth, accurate motion. Ball-tipped 80-pitch screws are spring loaded against the platform to provide high resolution, low backlash performance.

The spring and drive are removable for applications requiring an externally driven linear slide. An array of mounting holes on both the platform and the rail provide a variety of convenient mounting options, including post-mounting on SP Series Posts. The stages are designed to stack for X-Y motion. Vertical motion may also be added using the Model 411B Bracket, which is reversible so a vertical stage can be mounted either for a low profile or to center a heavier load.



Three [411-05S](#) stages and [411B](#) bracket.

## Specifications

[411-05S](#)    [422-1S](#)

Maximum Stage Travel [in. (mm)] 0.50 (12.7) 1.00 (25.4)

[411-05S](#)    [422-1S](#)

Sensitivity ( $\mu\text{m}$ )		1
Angular Deviation ( $\mu\text{rad}$ )		<200
Max Centered Load [lb (N)]	8 (36)	16 (71)
Load Capacity, Vertical [lb (N)]	5 (22)	10 (44)



## Artisan Technology Group is your source for quality new and certified-used/pre-owned equipment

- FAST SHIPPING AND DELIVERY
- TENS OF THOUSANDS OF IN-STOCK ITEMS
- EQUIPMENT DEMOS
- HUNDREDS OF MANUFACTURERS SUPPORTED
- LEASING/MONTHLY RENTALS
- ITAR CERTIFIED SECURE ASSET SOLUTIONS

### SERVICE CENTER REPAIRS

Experienced engineers and technicians on staff at our full-service, in-house repair center

### *InstraView*<sup>SM</sup> REMOTE INSPECTION

Remotely inspect equipment before purchasing with our interactive website at [www.instraview.com](http://www.instraview.com) ↗

### WE BUY USED EQUIPMENT

Sell your excess, underutilized, and idle used equipment. We also offer credit for buy-backs and trade-ins. [www.artisanng.com/WeBuyEquipment](http://www.artisanng.com/WeBuyEquipment) ↗

### LOOKING FOR MORE INFORMATION?

Visit us on the web at [www.artisanng.com](http://www.artisanng.com) ↗ for more information on price quotations, drivers, technical specifications, manuals, and documentation

**Contact us:** (888) 88-SOURCE | [sales@artisanng.com](mailto:sales@artisanng.com) | [www.artisanng.com](http://www.artisanng.com)