



Artisan Technology Group is your source for quality new and certified-used/pre-owned equipment

- FAST SHIPPING AND DELIVERY
- TENS OF THOUSANDS OF IN-STOCK ITEMS
- EQUIPMENT DEMOS
- HUNDREDS OF MANUFACTURERS SUPPORTED
- LEASING/MONTHLY RENTALS
- ITAR CERTIFIED SECURE ASSET SOLUTIONS

SERVICE CENTER REPAIRS

Experienced engineers and technicians on staff at our full-service, in-house repair center

*InstraView*SM REMOTE INSPECTION

Remotely inspect equipment before purchasing with our interactive website at www.instraview.com ↗

WE BUY USED EQUIPMENT

Sell your excess, underutilized, and idle used equipment. We also offer credit for buy-backs and trade-ins. www.artisanng.com/WeBuyEquipment ↗

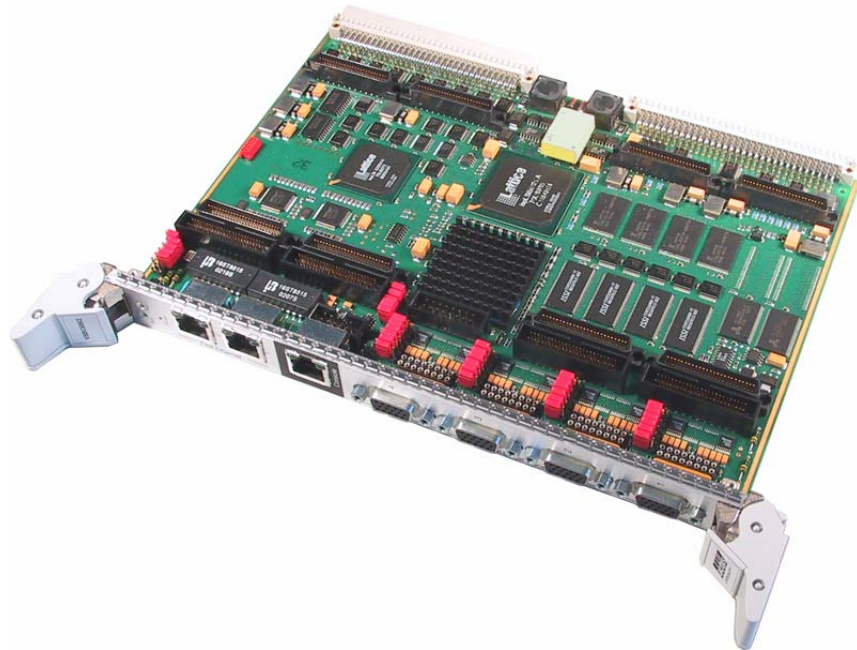
LOOKING FOR MORE INFORMATION?

Visit us on the web at www.artisanng.com ↗ for more information on price quotations, drivers, technical specifications, manuals, and documentation

Contact us: (888) 88-SOURCE | sales@artisanng.com | www.artisanng.com

Features

- PowerQUICC II® MPC8260
- VMEbus interface 32bits
- 128 MByte SDRAM
- 16 MByte FLASH
- 1 MByte SRAM
- 2 x Fast Ethernet ports
- 4 x multi protocol serial ports
- 4 x IP module slots
- RTC & 32kByte SRAM battery backed up



VSBC-6862 VME PowerQUICC II Single Board Computer is based on the MPC8260 processor. This processor is rated at 280 DMIPS @ 200 MHz and includes a very efficient SDRAM controller.

One of the key features of this device is the availability of a Quad Integrated Communications Controller (QUICC). It provides a dedicated module containing a RISC CPU and DMA channels for efficiently handling a wide range of standard or proprietary communications protocols.

VME interface

The VSBC-6862 board includes a 32-bit VME interface (rev C):

- Master : A32/A24/A16/D32/D16/D8
- Requester : RWD, ROR, programmable request level
- Slave : A24/A16/D32/D16/D8
- Arbiter : SGL, PRI, RRS
- Handler : IH(1-7)
- Interrupter : I(1-7)
- Bus Timer : BTO(30)
- Mailbox functionality
- 1 MB - SRAM shared

Network and serial communication links

The VSBC-6862 offers a variety of on-board I/O:

- Two integrated two Fast Ethernet ports (10BASE-T / 100BASE-TX).
- One RS-232 console is available for user general purpose operations.
- One RS-232 and the I2C serial links are available on a internal connector.
- Four RS-232 or RS422/485/V.35 serial ports available on the front panel.

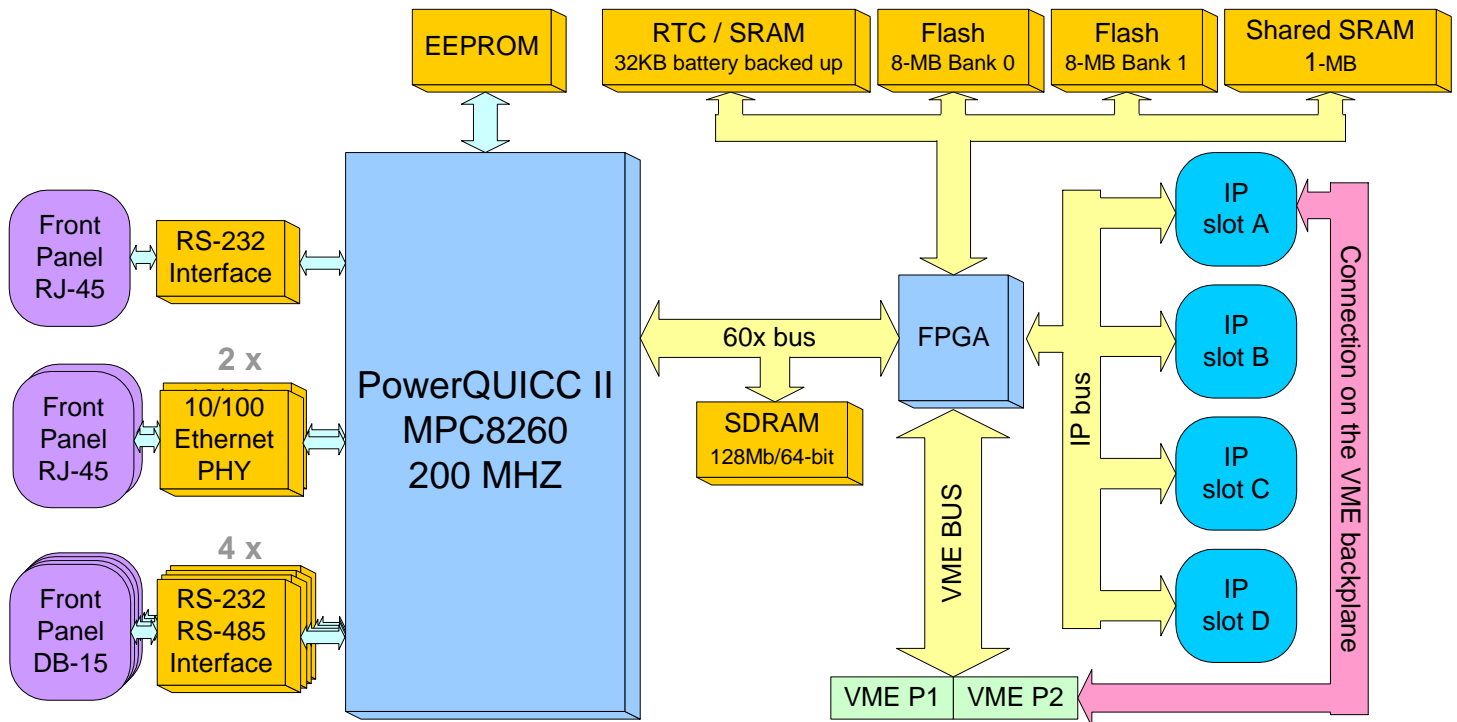
Flexible I/O

For total flexibility, the VSBC-6862 is supplied with four IP slots. The user can customize the board for specific applications. All the I/Os of IP modules are available through four internal connectors. In addition, the I/Os for IP module A are also available on the VME P2 connector.

Software

Developers can take advantage of the VSBC-6862's power and performance when running major real-time operating systems (RTOS) or when deploying applications based on the low-cost, open-source Linux™ operating system. RTOS supported by the VSBC-6862 include VxWorks® and other on request.





Features

- PowerQUICC II[®] Motorola MPC8260
- 280 MIPS @ 200 MHz
- Up to 128 MByte SDRAM
- 16 MByte FLASH
- 1MB shared SRAM

Communication

- Two Fast Ethernet ports on the front panel
- One RS-232 console port on the front panel
- One RS-232 auxiliary serial port on an internal connector.
- Four high speed serial port supporting RS-232/422/485 mode on the front panel.

Peripherals

- Real-time clock & 32KB SRAM battery backed up
- I2C memory

JTAG port

One internal connector for direct access to the processor with third party tool.

VME interface

- Master : A32/A24/A16/D32/D16/D8
- Requester : RWD, ROR, programmable request level
- Slave : A24/A16/D32/D16/D8
- Arbiter : SGL, PRI, RRS
- Handler : IH(1-7)
- Interrupter: I(1-7)
- Bus Timer : BTO(30)
- Mailbox functionality

IP slots

- Four IP slots
- 8 MHz
- ANSI/VITA-4 1995 compatible

Environmental

Operating	0 to 70 °C
Non-operating	-40°C to 85 °C
Airflow requirement	10 CFM
Relative Humidity	0 to 90 % (non-cond.)
Altitude	0 to 10'000 ft

Environmental

Dimensions	6.3 in x 9.2 in
Power	15 W typical
Vibration	0.5G RMS 20-2000 Hz random
Shock	20 G, 11 ms, ½ sine

ACTIS Computer SA

19 ch. Du Champ-des-Filles
CH - 1228 Plan-Les-Ouates, Switzerland
Tel: +41 (22) 706 1830
Fax: +41 (22) 794 4391

ACTIS Computer Inc

6202 South Maple Ave, Suite 120
Tempe, Arizona 85283, USA
Tel: (480) 838 1799
Fax: (480) 838 4477

Distributed by:

For ordering information, please visit our web site at www.actis-computer.com

PowerQUICC[®] is a registered trademark of Motorola Corp. Other products mentioned may be trademarks or registered trademarks of their respective holders. ACTIS Computer believes this information is accurate as of its publication date and is not responsible for any inadvertent errors. The information contained herein is subject to change without notice.
Copyright © 2003 ACTIS Computer.

Edition 2.7



Artisan Technology Group is your source for quality new and certified-used/pre-owned equipment

- FAST SHIPPING AND DELIVERY
- TENS OF THOUSANDS OF IN-STOCK ITEMS
- EQUIPMENT DEMOS
- HUNDREDS OF MANUFACTURERS SUPPORTED
- LEASING/MONTHLY RENTALS
- ITAR CERTIFIED SECURE ASSET SOLUTIONS

SERVICE CENTER REPAIRS

Experienced engineers and technicians on staff at our full-service, in-house repair center

*InstraView*SM REMOTE INSPECTION

Remotely inspect equipment before purchasing with our interactive website at www.instraview.com ↗

WE BUY USED EQUIPMENT

Sell your excess, underutilized, and idle used equipment. We also offer credit for buy-backs and trade-ins. www.artisanng.com/WeBuyEquipment ↗

LOOKING FOR MORE INFORMATION?

Visit us on the web at www.artisanng.com ↗ for more information on price quotations, drivers, technical specifications, manuals, and documentation

Contact us: (888) 88-SOURCE | sales@artisanng.com | www.artisanng.com