



Artisan Technology Group is your source for quality new and certified-used/pre-owned equipment

- FAST SHIPPING AND DELIVERY
- TENS OF THOUSANDS OF IN-STOCK ITEMS
- EQUIPMENT DEMOS
- HUNDREDS OF MANUFACTURERS SUPPORTED
- LEASING/MONTHLY RENTALS
- ITAR CERTIFIED SECURE ASSET SOLUTIONS

SERVICE CENTER REPAIRS

Experienced engineers and technicians on staff at our full-service, in-house repair center

*InstraView*SM REMOTE INSPECTION

Remotely inspect equipment before purchasing with our interactive website at www.instraview.com ↗

WE BUY USED EQUIPMENT

Sell your excess, underutilized, and idle used equipment. We also offer credit for buy-backs and trade-ins. www.artisanng.com/WeBuyEquipment ↗

LOOKING FOR MORE INFORMATION?

Visit us on the web at www.artisanng.com ↗ for more information on price quotations, drivers, technical specifications, manuals, and documentation

Contact us: (888) 88-SOURCE | sales@artisanng.com | www.artisanng.com

Note Use either the C200HW-COM01 or a V1 Communications Board for the ZE-version C200HX/HG/HE CPU Units.

Indicators (LEDs)

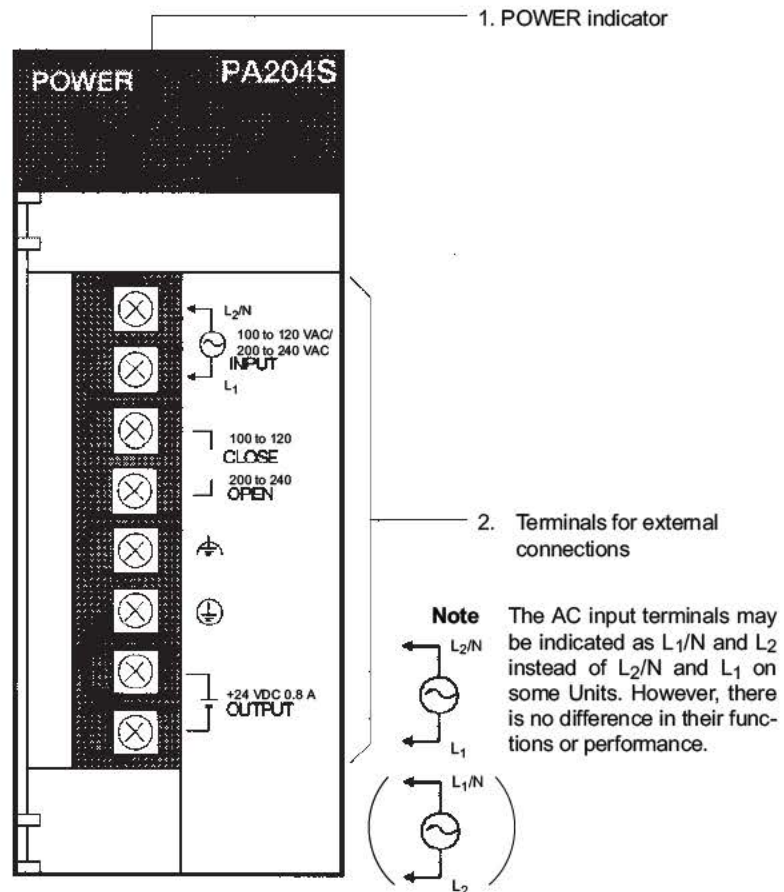
The Communications Board indicators on the front panel of the CPU Unit indicate the status of the Board, as described in the following table.

Indicator	Color	Status	Meaning
RDY	Green	Not lit	The Board cannot be used due to a hardware error on the Board.
		Flashing	A setting error has been discovered in the PC Setup or the protocol data.
		Lit	The Board is operating properly and communications are possible.
COMB	Orange	Flashing	Communications are in progress with the device connected to port B.
COMA	Orange	Flashing	Communications are in progress with the device connected to port A.

2-2-4 Power Supply Units

Power Supply Units provide power to the CPU Rack and the Expansion I/O Racks. Power Supply Units are available for either AC or DC power input. The numbers in the diagram correspond to the numbers of the following items in the description. (The following diagram shows the C200HW-PA204S.)

Part Names and Functions



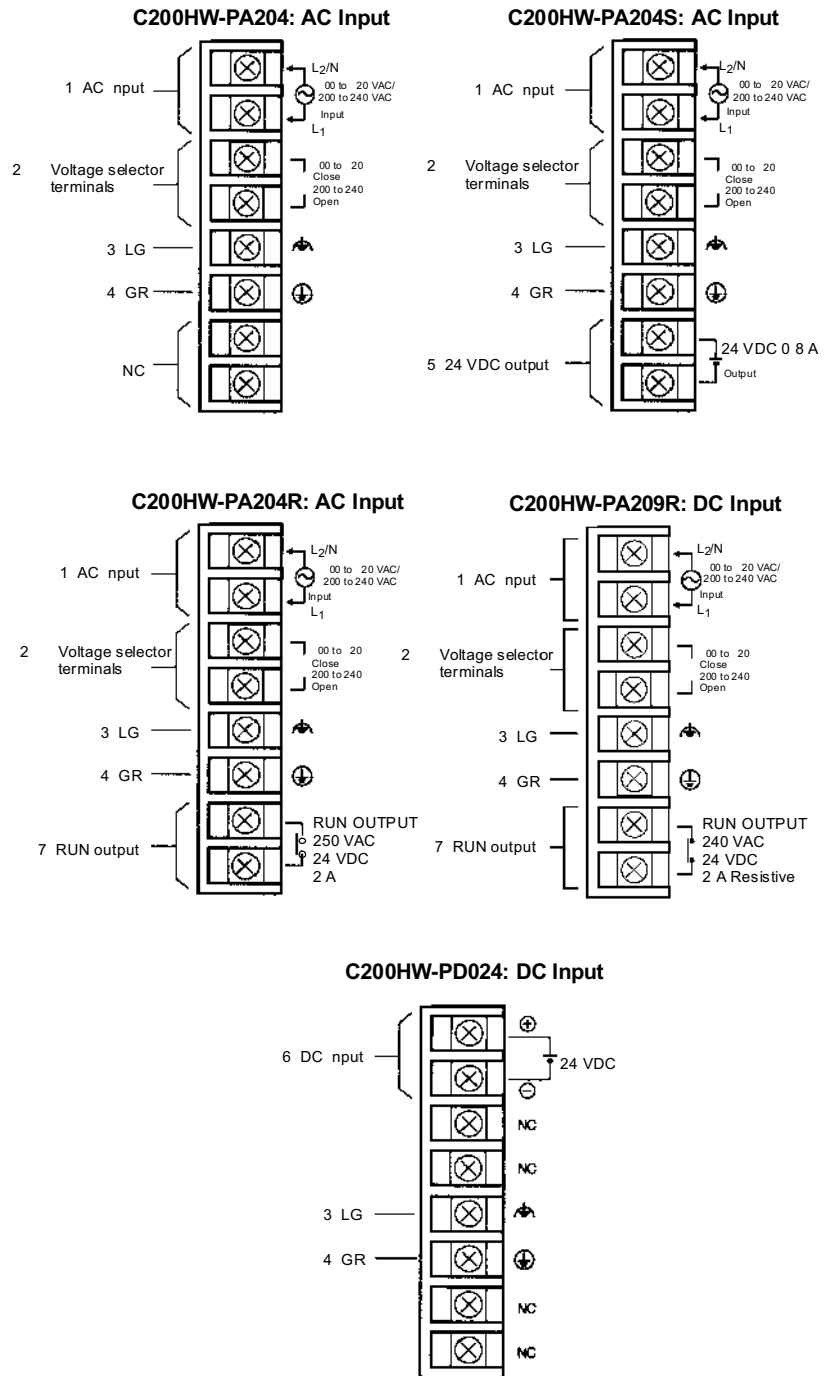
- 1, 2, 3...** 1. **POWER Indicator**
 The POWER indicator will be lit whenever the Power Supply Unit is outputting 5 V.

2. Terminals for External Connections

These terminals are connected as shown in the diagram below. The numbers in the diagram correspond to the numbers of the following items in the description.

Supply voltage	Output capacity	Output terminals	RUN output	Model
100 to 120 VAC or 200 to 240 VAC (Select the voltage using the metal short bar on the voltage selector terminals.)	5 VDC, 4.6 A, 30 W	W thout	W thout	C200HW-PA204
		24 VDC, 0.8 A	W thout	C200HW-PA204S
		W thout	W th	C200HW-PA204R
	5 VDC, 9 A, 45 W	W thout	W th	C200HW-PA209R
24 VDC	5 VDC, 4.6 A, 30 W	W thout	W thout	C200HW-PD024

Terminal Connections



1, 2, 3...

1. AC Input (C200HW-PA20 Only)

Supply either 100 to 120 VAC or 200 to 240 VAC to the AC input terminals. If one power supply phase of the equipment is grounded, connect the grounded phase side to the L_2/N (or L_1/N if so indicated) terminal.

2. Voltage Selector Terminals (C200HW-PA20 Only)

Short these terminals with a metal short bar when 100 to 120 VAC is being supplied to the AC input terminals.

3. LG

Ground the LG terminal to 100 or less to increase resistance to noise and protect against possible electrical shock.

4. **GR**
Ground the GR terminal to 100 Ω or less to protect against possible electrical shock.
5. **24 VDC Output (C200HW-PA204S Only)**
The 24 VDC output terminals can be used to supply power to DC Input Units. The combined power consumption for both 5 V and 24 V must be 30 W or less.
6. **DC Input (C200HW-PD024 Only)**
Supply 24 VDC to the DC input terminals.
7. **RUN Output (C200HW-PA204R/PA209R Only)**
The internal contact will turn ON when the CPU Unit is operating in RUN or MONITOR mode. These terminals are available only on the C200HW-PA204R.

**Restrictions for the
C200HW-PA204R/PA209R**

Use the C200HW-PA204R/PA209R Power Supply Unit only with the following CPU Units and Backplanes. CPU Units and Backplanes with manufacturing numbers earlier than the ones given cannot be used.

CPU Units


Model	Manufacturing number (See below.)		
	Made in Japan	Made in the Netherlands	
C200HX-CPU65-E	20Z6 or ater	0147 or ater	
C200HX-CPU54-E	2817 or ater		
C200HX-CPU44-E	19Z6 or ater		
C200HX-CPU34-E	2417 or ater		
C200HG-CPU63-E	25Z6 or ater		
C200HG-CPU53-E	0817 or ater		
C200HG-CPU43-E	19Z6 or ater		
C200HG-CPU33-E	1017 or ater		
C200HE-CPU42-E	20Z6 or ater		
C200HE-CPU32-E	19Z6 or ater		
C200HE-CPU11-E	20Z6 or ater		
C200HX/HG/HE-CPU -ZE	A mode s		

Backplanes (with C200HW-PA204R)

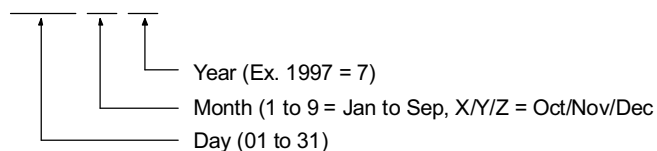
Model	Manufacturing number (See below.)	
	Made in Japan	Made in the Netherlands
C200HW-BC031	0617 or ater	0147 or ater
C200HW-BC051	19Z6 or ater	
C200HW-BC081	24Z6 or ater	
C200HW-BC101	20Z6 or ater	

Backplanes (with C200HW-PA209R)

CPU Backplanes		I/O Backplanes	
C200HW-BC031	Same manufacturing number as for C200HW-PA204R.	C200HW-BI031	Same manufacturing number as for C200HW-PA204R.
C200HW-BC051		C200HW-BI051	
C200HW-BC081-V1 (-V1 or ater)		C200HW-BI081-V1 (-V1 or ater)	
C200HW-BC101-V1 (-V1 or ater)		C200HW-BI101-V1 (-V1 or ater)	

 **Caution** When using the C200HW-PA209R Power Supply Unit, be sure to use only the Backplanes listed in the above table. Using a different Backplane may result in malfunction due to deterioration of the base or pattern burnout.

Note Manufacturing numbers are as shown in the following diagram.

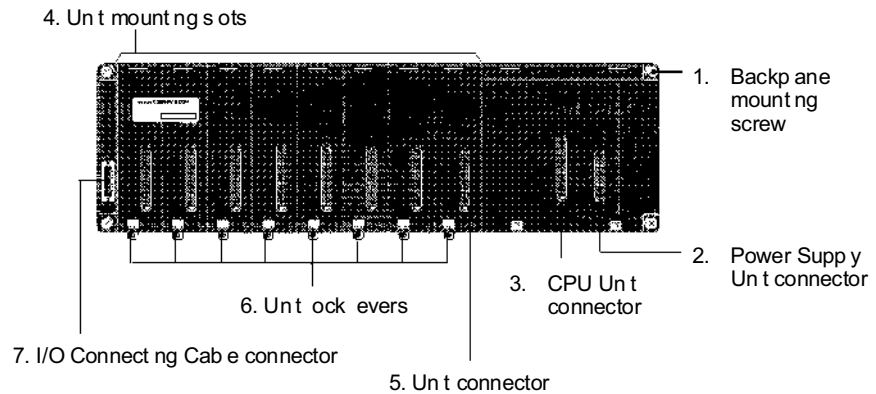


2-2-5 Backplanes

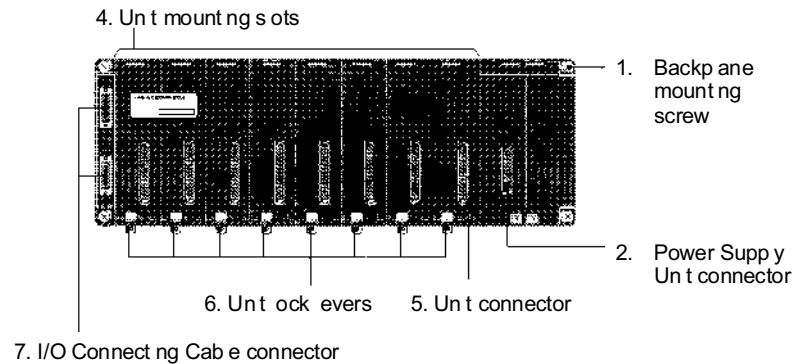
There are two types of Backplane: the CPU Backplane, used for the CPU Rack, and the I/O Backplane, used for Expansion I/O Racks. The Backplane serves to hold and connect the following types of Unit: the CPU Unit, the Power Supply Unit, I/O Units, Special I/O Units, etc.

The components of the Backplanes are shown in the following diagrams and described following them. The numbers in the diagram correspond to the numbers of the following items in the description.

CPU Backplane



I/O Backplane



1, 2, 3...

1. Backplane Mounting Screws

Mount the Backplane firmly using four M4 screws.

2. Power Supply Unit Connector

Connect the Power Supply Unit.

3. CPU Unit Connector

Connect the CPU Unit.

4. Unit Mounting Slots

Mount one Unit to each slot. There are 3, 5, 8, or 10 slots available on the Backplane depending on the model of Backplane used.

5. Unit Connectors

Connect I/O Units, Special I/O Units, Interrupt Input Units, and/or Analog Timer Units.

Note Attach a C500-COV01 Connector Cover to any slot that is not being used to prevent dust and dirt from entering the unused connectors.

6. Unit Lock Levers

The lock levers hold the Units in place. Press down on the level and pull up on the Unit to release the lock.

7. I/O Connecting Cable Connector

Connect the I/O Cable from the CPU Rack to the first Expansion I/O Rack or between adjacent Expansion I/O Racks to this connector.



Artisan Technology Group is your source for quality new and certified-used/pre-owned equipment

- FAST SHIPPING AND DELIVERY
- TENS OF THOUSANDS OF IN-STOCK ITEMS
- EQUIPMENT DEMOS
- HUNDREDS OF MANUFACTURERS SUPPORTED
- LEASING/MONTHLY RENTALS
- ITAR CERTIFIED SECURE ASSET SOLUTIONS

SERVICE CENTER REPAIRS

Experienced engineers and technicians on staff at our full-service, in-house repair center

*InstraView*SM REMOTE INSPECTION

Remotely inspect equipment before purchasing with our interactive website at www.instraview.com ↗

WE BUY USED EQUIPMENT

Sell your excess, underutilized, and idle used equipment. We also offer credit for buy-backs and trade-ins. www.artisanng.com/WeBuyEquipment ↗

LOOKING FOR MORE INFORMATION?

Visit us on the web at www.artisanng.com ↗ for more information on price quotations, drivers, technical specifications, manuals, and documentation

Contact us: (888) 88-SOURCE | sales@artisanng.com | www.artisanng.com