



## Artisan Technology Group is your source for quality new and certified-used/pre-owned equipment

- FAST SHIPPING AND DELIVERY
- TENS OF THOUSANDS OF IN-STOCK ITEMS
- EQUIPMENT DEMOS
- HUNDREDS OF MANUFACTURERS SUPPORTED
- LEASING/MONTHLY RENTALS
- ITAR CERTIFIED SECURE ASSET SOLUTIONS

### SERVICE CENTER REPAIRS

Experienced engineers and technicians on staff at our full-service, in-house repair center

### *InstraView*<sup>SM</sup> REMOTE INSPECTION

Remotely inspect equipment before purchasing with our interactive website at [www.instraview.com](http://www.instraview.com) ↗

### WE BUY USED EQUIPMENT

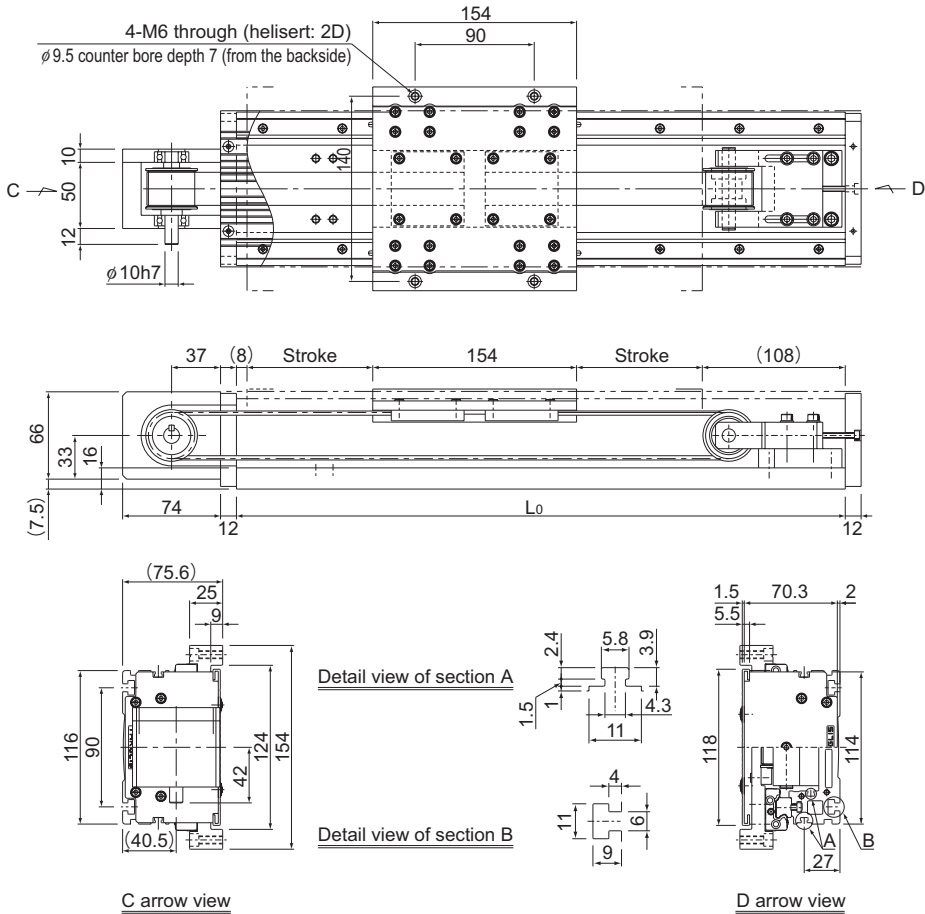
Sell your excess, underutilized, and idle used equipment. We also offer credit for buy-backs and trade-ins. [www.artisanng.com/WeBuyEquipment](http://www.artisanng.com/WeBuyEquipment) ↗

### LOOKING FOR MORE INFORMATION?

Visit us on the web at [www.artisanng.com](http://www.artisanng.com) ↗ for more information on price quotations, drivers, technical specifications, manuals, and documentation

**Contact us:** (888) 88-SOURCE | [sales@artisanng.com](mailto:sales@artisanng.com) | [www.artisanng.com](http://www.artisanng.com)

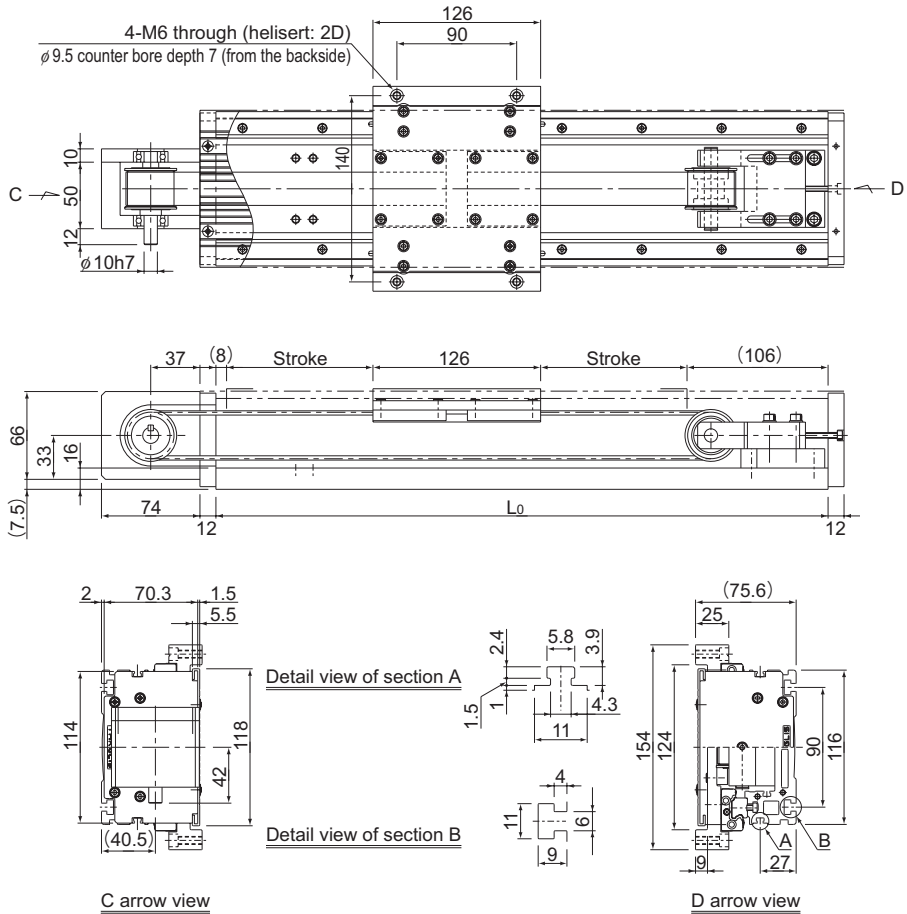
# Belt Drive Type Long Table Type of Model GL15



Base length $L_0$ (mm)	340	460	580	700	820	1060	1240	1420	1600	1780	1960
Stroke (mm)	70	190	310	430	550	790	970	1150	1330	1510	1690
Mass (kg)	7.9	8.8	9.8	10.8	11.8	13.7	15.2	16.6	18.1	19.6	21.0

\* Mass of moving element (table): 1.7 (kg)  
 For model number coding, see B-356.

# Belt Drive Type Short Table Type of Model GL15

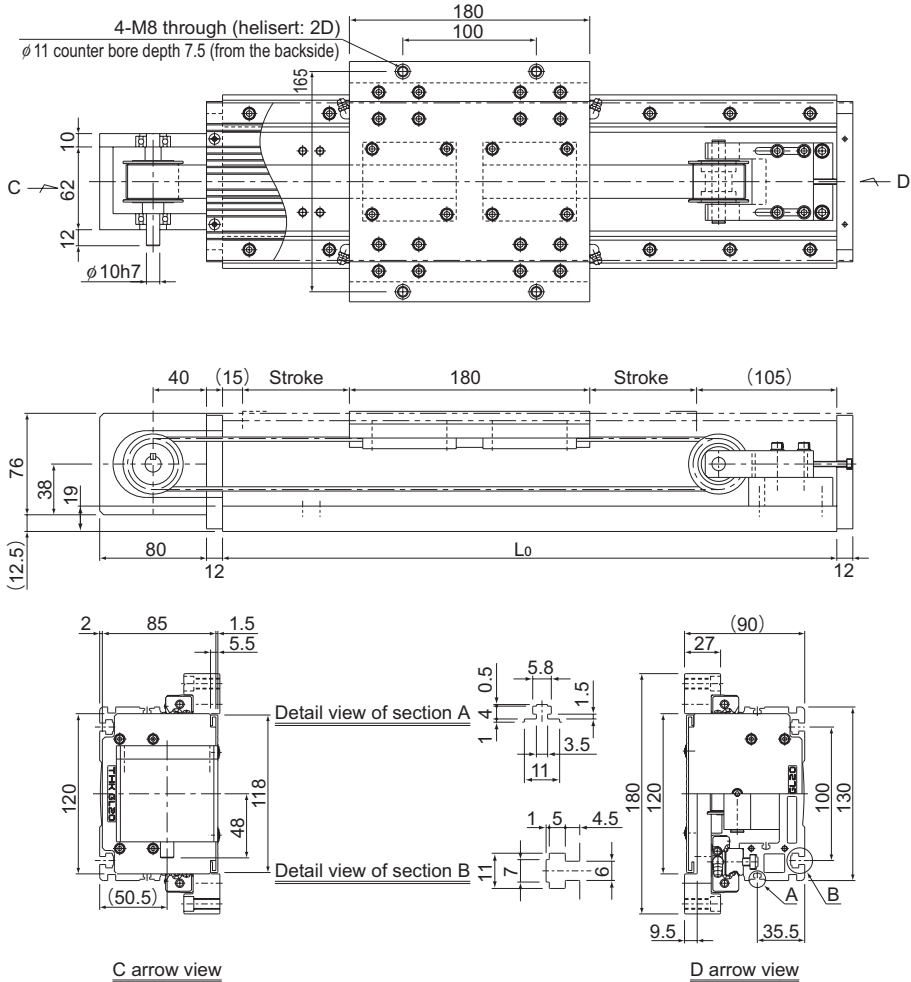


LM Actuator

Base length $L_0$ (mm)	340	460	580	700	820	1060	1240	1420	1600	1780	1960
Stroke (mm)	100	220	340	460	580	820	1000	1180	1360	1540	1720
Mass (kg)	7.0	8.0	9.0	9.9	10.9	12.9	14.3	15.8	17.3	18.7	20.2

\* Mass of moving element (table): 1.3 (kg)  
 For model number coding, see B-356.

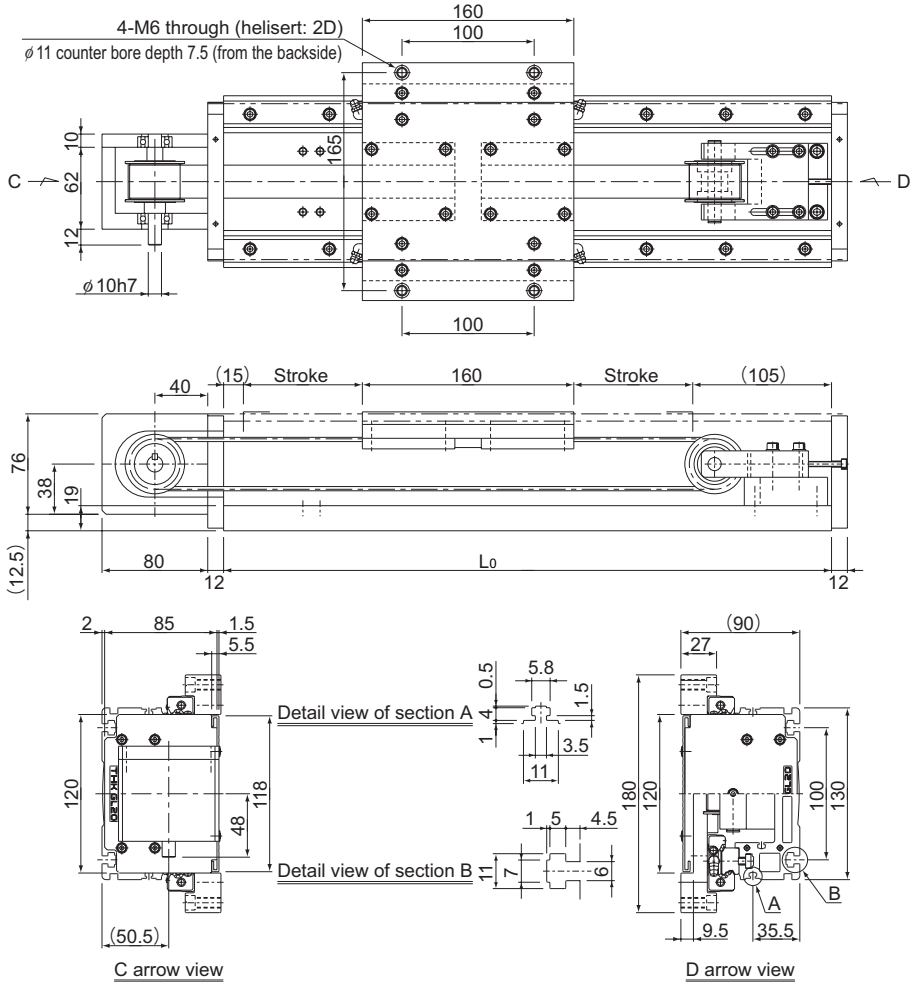
# Belt Drive Type Long Table Type of Model GL20



Base length L <sub>0</sub> (mm)	460	580	700	820	1060	1240	1420	1600	1780	1960	2200	2320	2500	3000
Stroke (mm)	160	280	400	520	760	940	1120	1300	1480	1660	1900	2020	2200	2700
Mass (kg)	11.5	12.8	14.2	15.5	18.1	20.1	22.1	24.1	26.1	28.1	30.7	32.0	34.0	39.6

\* Mass of moving element (table): 2.8 (kg)  
 For model number coding, see B-356.

# Belt Drive Type Short Table Type of Model GL20



LM Actuator

Base length $L_0$ (mm)	460	580	700	820	1060	1240	1420	1600	1780	1960	2200	2320	2500	3000
Stroke (mm)	180	300	420	540	780	960	1140	1320	1500	1680	1920	2040	2220	2720
Mass (kg)	11.2	12.5	13.8	15.2	17.8	19.8	21.8	23.8	25.8	27.7	30.4	31.7	33.7	39.2

\* Mass of moving element (table): 2.3 (kg)  
For model number coding, see B-356.



## Artisan Technology Group is your source for quality new and certified-used/pre-owned equipment

- FAST SHIPPING AND DELIVERY
- TENS OF THOUSANDS OF IN-STOCK ITEMS
- EQUIPMENT DEMOS
- HUNDREDS OF MANUFACTURERS SUPPORTED
- LEASING/MONTHLY RENTALS
- ITAR CERTIFIED SECURE ASSET SOLUTIONS

### SERVICE CENTER REPAIRS

Experienced engineers and technicians on staff at our full-service, in-house repair center

### *InstraView*<sup>SM</sup> REMOTE INSPECTION

Remotely inspect equipment before purchasing with our interactive website at [www.instraview.com](http://www.instraview.com) ↗

### WE BUY USED EQUIPMENT

Sell your excess, underutilized, and idle used equipment. We also offer credit for buy-backs and trade-ins. [www.artisanng.com/WeBuyEquipment](http://www.artisanng.com/WeBuyEquipment) ↗

### LOOKING FOR MORE INFORMATION?

Visit us on the web at [www.artisanng.com](http://www.artisanng.com) ↗ for more information on price quotations, drivers, technical specifications, manuals, and documentation

**Contact us:** (888) 88-SOURCE | [sales@artisanng.com](mailto:sales@artisanng.com) | [www.artisanng.com](http://www.artisanng.com)