



Artisan Technology Group is your source for quality new and certified-used/pre-owned equipment

- FAST SHIPPING AND DELIVERY
- TENS OF THOUSANDS OF IN-STOCK ITEMS
- EQUIPMENT DEMOS
- HUNDREDS OF MANUFACTURERS SUPPORTED
- LEASING/MONTHLY RENTALS
- ITAR CERTIFIED SECURE ASSET SOLUTIONS

SERVICE CENTER REPAIRS

Experienced engineers and technicians on staff at our full-service, in-house repair center

*InstraView*SM REMOTE INSPECTION

Remotely inspect equipment before purchasing with our interactive website at www.instraview.com ↗

WE BUY USED EQUIPMENT

Sell your excess, underutilized, and idle used equipment. We also offer credit for buy-backs and trade-ins. www.artisanng.com/WeBuyEquipment ↗

LOOKING FOR MORE INFORMATION?

Visit us on the web at www.artisanng.com ↗ for more information on price quotations, drivers, technical specifications, manuals, and documentation

Contact us: (888) 88-SOURCE | sales@artisanng.com | www.artisanng.com

Specifications for the NI SCXI™ -1190

1.3 GHz Quad 4x1 50 Ω Multiplexer

This document lists specifications for the NI SCXI-1190 multiplexer module. All specifications are subject to change without notice. Visit ni.com/manuals for the most current specifications.

Configuration Quad 4x1 multiplexers

RF Performance Characteristics

Characteristic impedance (Z_0)..... 50 Ω nominal

Insertion loss

≤100 MHz <0.4 dB

≤500 MHz <0.9 dB

≤1.3 GHz..... <1.5 dB

≤2 GHz..... <3 dB

VSWR

≤100 MHz <1.15

≤500 MHz <1.35

≤1.3 GHz..... <1.5

≤2 GHz..... <2.5

Channel-to-channel isolation

≤500 MHz >60 dB

≤1.3 GHz..... >50 dB

≤2 GHz..... >30 dB

Propagation delay <3 ns

Rise time <300 ps

National Instruments™, NI™, ni.com™, and SCXI™ are trademarks of National Instruments Corporation. Product and company names mentioned herein are trademarks or trade names of their respective companies. For patents covering National Instruments products, refer to the appropriate location: **Help»Patents** in your software, the `patents.txt` file on your CD, or ni.com/patents.

April 2003
323480A-01

ni.com

© 2003 National Instruments Corp. All rights reserved.



Input Characteristics

All input characteristics are DC, AC_{rms} , or a combination unless otherwise specified.

Maximum switching voltage24 V
(channel-to-channel and channel-to-ground)

Maximum switching current.....1 A
(per channel)

Maximum carry current1 A
(per channel)

Maximum switching power24 W
(per channel)



Note National Instruments recommends against switching active RF signals. As a relay actuates, the channel is momentarily unterminated. Some RF sources can be damaged by reflections if their outputs are not properly terminated. Consult your RF source documentation for more information.

Maximum RF carry power10 W up to 900 MHz
(per channel)

DC path resistance

Initial.....<0.1 Ω

End of life>1 Ω

Path resistance is a combination of relay contact resistance and trace resistance. Contact resistance typically remains low for the life of a relay. At the end of relay life, the contact resistance rises rapidly above 1.0 Ω .

Dynamic Characteristics

Relay operate time (at 20 °C)15 ms

Release time (at 20 °C).....15 ms

Expected relay life

Mechanical5,000,000 cycles

Electrical.....100,000 cycles
(maximum load)

Physical Characteristics

Relay type	Electromechanical, non-latching
I/O connectors	20 SMB jacks
Contact material	Gold-clad silver
Dimensions (W × H × D).....	3.0 cm × 17.3 cm × 19.6 cm (1.2 in. × 6.7 in. × 7.6 in.)
Weight.....	925 g (2 lb, 1 oz)

Environment

Operating temperature.....	0 °C to 50 °C
Storage temperature	-20 °C to 70 °C
Relative humidity	5% to 85% noncondensing
Pollution Degree	2

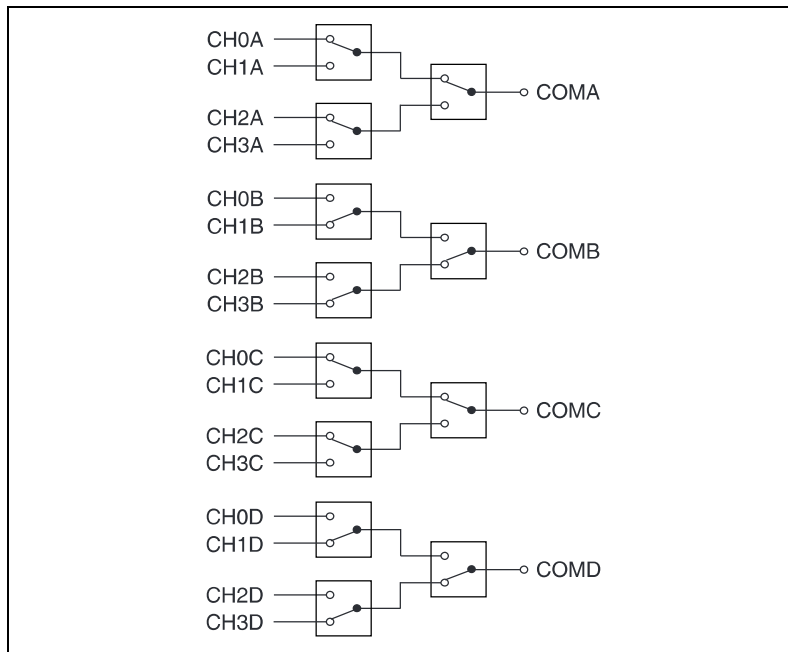


Figure 1. NI SCXI-1190 Power-On State

Compliance and Certifications

Safety

This product is designed to meet the requirements of the following standards of safety for electrical equipment for measurement, control, and laboratory use:

- IEC 61010-1, EN 61010-1
- UL 3111-1, UL 61010B-1
- CAN/CSA C22.2 No. 1010.1



Note For UL and other safety certifications refer to the product label or visit ni.com.

Electromagnetic Compatibility

Emissions.....	EN 55011 Class A at 10 m FCC Part 15A above 1 GHz
Immunity	EN 61326:1997 + A2:2001, Table 1
EMC/EMI	CE, C-Tick, and FCC Part 15 (Class A) Compliant



Note For EMC compliance, you *must* operate this device with shielded cabling.

CE Compliance

This product meets the essential requirements of applicable European Directives, as amended for CE Marking, as follows:

Low-Voltage Directive (safety).....	73/23/EEC
Electromagnetic Compatibility Directive (EMC)	89/336/EEC



Note Refer to the Declaration of Conformity (DoC) for this product for any additional regulatory compliance information. To obtain the DoC for this product, click **Declarations of Conformity Information** at ni.com/hardref.nsf/.



323480A-01

Apr03



Artisan Technology Group is your source for quality new and certified-used/pre-owned equipment

- FAST SHIPPING AND DELIVERY
- TENS OF THOUSANDS OF IN-STOCK ITEMS
- EQUIPMENT DEMOS
- HUNDREDS OF MANUFACTURERS SUPPORTED
- LEASING/MONTHLY RENTALS
- ITAR CERTIFIED SECURE ASSET SOLUTIONS

SERVICE CENTER REPAIRS

Experienced engineers and technicians on staff at our full-service, in-house repair center

*InstraView*SM REMOTE INSPECTION

Remotely inspect equipment before purchasing with our interactive website at www.instraview.com ↗

WE BUY USED EQUIPMENT

Sell your excess, underutilized, and idle used equipment. We also offer credit for buy-backs and trade-ins. www.artisanng.com/WeBuyEquipment ↗

LOOKING FOR MORE INFORMATION?

Visit us on the web at www.artisanng.com ↗ for more information on price quotations, drivers, technical specifications, manuals, and documentation

Contact us: (888) 88-SOURCE | sales@artisanng.com | www.artisanng.com