



## Artisan Technology Group is your source for quality new and certified-used/pre-owned equipment

- FAST SHIPPING AND DELIVERY
- TENS OF THOUSANDS OF IN-STOCK ITEMS
- EQUIPMENT DEMOS
- HUNDREDS OF MANUFACTURERS SUPPORTED
- LEASING/MONTHLY RENTALS
- ITAR CERTIFIED SECURE ASSET SOLUTIONS

### SERVICE CENTER REPAIRS

Experienced engineers and technicians on staff at our full-service, in-house repair center

### *InstraView*<sup>SM</sup> REMOTE INSPECTION

Remotely inspect equipment before purchasing with our interactive website at [www.instraview.com](http://www.instraview.com) ↗

### WE BUY USED EQUIPMENT

Sell your excess, underutilized, and idle used equipment. We also offer credit for buy-backs and trade-ins. [www.artisanng.com/WeBuyEquipment](http://www.artisanng.com/WeBuyEquipment) ↗

### LOOKING FOR MORE INFORMATION?

Visit us on the web at [www.artisanng.com](http://www.artisanng.com) ↗ for more information on price quotations, drivers, technical specifications, manuals, and documentation

**Contact us:** (888) 88-SOURCE | [sales@artisanng.com](mailto:sales@artisanng.com) | [www.artisanng.com](http://www.artisanng.com)

## Introduction

The Juniper VoiceFlow 3000 product is a carrier class, high availability session border controller that provides VoIP service providers with a high performance, integrated packet processing platform to address a wide range of VoIP border control applications.

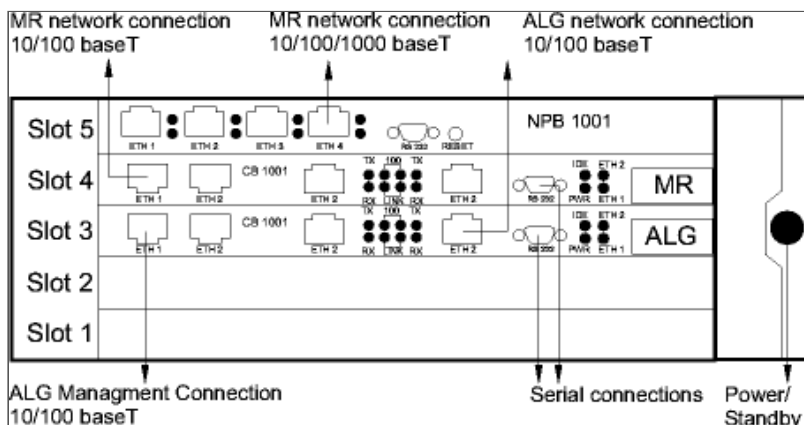
## Overview

The Juniper VF 3000 is available as:

- VF 3031 option with two CB 1001 controller boards and one NPB 1001 processing board (10/100/1000 base T copper interfaces (RJ-45))
- VF 3032 option with two CB 1001 controller boards and one NPB 1002 processing board (GigE optical interfaces (LC multi mode))

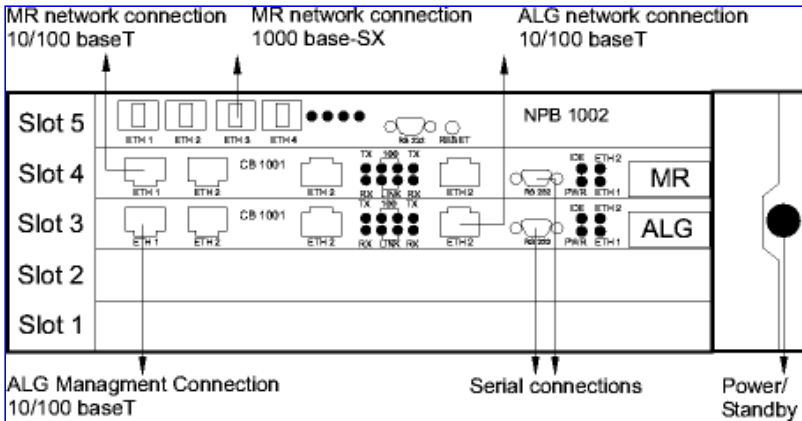
## Front view VF 3031

Front view with MR network connection 10/100/1000 baseT (copper).

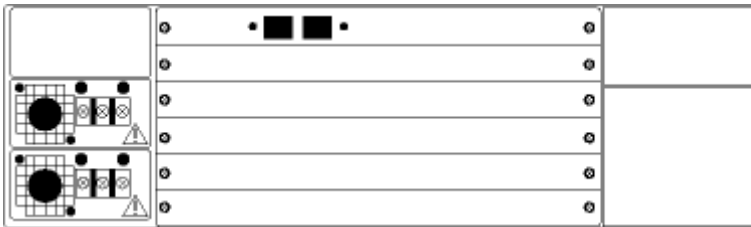


## Front view VF 3032

Front view with MR network connection 1000 base SX (optical).



## Rear view



## Hardware items VF 3000

The unit holds the following items:

VF 3031	VF 3032	Function
2x Controller board (CB- 1001)	2x Controller board (CB- 1001)	This board can be configured to work as the Application Level Gateway (ALG) or as Media Relay (MR).
1x Network Processing Board NPB-1001	1x Network Processing Board NPB-1002	This board is specially designed to accommodate high throughput of media. It is controlled by a controller board configured as an MR.

(Copper)

(Optical)

## Reference

For more information, refer to:

- *VoiceFlow series v/OS Release 5.3.1. Network NAT Traversal Installation & User manual (Part no. DO-32-01)*



© Lucent Technologies



## Artisan Technology Group is your source for quality new and certified-used/pre-owned equipment

- FAST SHIPPING AND DELIVERY
- TENS OF THOUSANDS OF IN-STOCK ITEMS
- EQUIPMENT DEMOS
- HUNDREDS OF MANUFACTURERS SUPPORTED
- LEASING/MONTHLY RENTALS
- ITAR CERTIFIED SECURE ASSET SOLUTIONS

### SERVICE CENTER REPAIRS

Experienced engineers and technicians on staff at our full-service, in-house repair center

### *InstraView*<sup>SM</sup> REMOTE INSPECTION

Remotely inspect equipment before purchasing with our interactive website at [www.instraview.com](http://www.instraview.com) ↗

### WE BUY USED EQUIPMENT

Sell your excess, underutilized, and idle used equipment. We also offer credit for buy-backs and trade-ins. [www.artisanng.com/WeBuyEquipment](http://www.artisanng.com/WeBuyEquipment) ↗

### LOOKING FOR MORE INFORMATION?

Visit us on the web at [www.artisanng.com](http://www.artisanng.com) ↗ for more information on price quotations, drivers, technical specifications, manuals, and documentation

**Contact us:** (888) 88-SOURCE | [sales@artisanng.com](mailto:sales@artisanng.com) | [www.artisanng.com](http://www.artisanng.com)