



Artisan Technology Group is your source for quality new and certified-used/pre-owned equipment

- FAST SHIPPING AND DELIVERY
- TENS OF THOUSANDS OF IN-STOCK ITEMS
- EQUIPMENT DEMOS
- HUNDREDS OF MANUFACTURERS SUPPORTED
- LEASING/MONTHLY RENTALS
- ITAR CERTIFIED SECURE ASSET SOLUTIONS

SERVICE CENTER REPAIRS

Experienced engineers and technicians on staff at our full-service, in-house repair center

*InstraView*SM REMOTE INSPECTION

Remotely inspect equipment before purchasing with our interactive website at www.instraview.com ↗

WE BUY USED EQUIPMENT

Sell your excess, underutilized, and idle used equipment. We also offer credit for buy-backs and trade-ins. www.artisanng.com/WeBuyEquipment ↗

LOOKING FOR MORE INFORMATION?

Visit us on the web at www.artisanng.com ↗ for more information on price quotations, drivers, technical specifications, manuals, and documentation

Contact us: (888) 88-SOURCE | sales@artisanng.com | www.artisanng.com

USER'S GUIDE

Ultra320 SCSI to PCI-X Host Adapters

July 2003

Version 2.1



DB15-000192-01



Electromagnetic Compatibility Notices

This device complies with Part 15 of the FCC Rules. Operation is subject to the following two conditions:

1. This device may not cause harmful interference, and
2. This device must accept any interference received, including interference that may cause undesired operation.

This equipment has been tested and found to comply with the limits for a Class B digital device, pursuant to part 15 of the FCC Rules. These limits are designed to provide reasonable protection against harmful interference in a residential installation. This equipment generates, uses, and can radiate radio frequency energy and, if not installed and used in accordance with the instructions, may cause harmful interference to radio communications. However, there is no guarantee that interference will not occur in a particular installation. If this equipment does cause harmful interference to radio or television reception, which can be determined by turning the equipment off and on, the user is encouraged to try to correct the interference by one or more of the following measures:

- Reorient or relocate the receiving antenna.
- Increase the separation between the equipment and the receiver.
- Connect the equipment into an outlet on a circuit different from that to which the receiver is connected.
- Consult the dealer or an experienced radio/TV technician for help.

Shielded cables for SCSI connection external to the cabinet are used in the compliance testing of this Product. LSI Logic is not responsible for any radio or television interference caused by unauthorized modification of this equipment or the substitution or attachment of connecting cables and equipment other than those specified by LSI Logic. The correction of interferences caused by such unauthorized modification, substitution, or attachment will be the responsibility of the user.

The LSI Logic Ultra320 SCSI to PCI Host Adapters (LSI20320, LSI20320H, LSI20320L, LSI20320-R, LSI21320, LSI21320-R, LSI22320, LSI22320-R) are tested to comply with FCC standards for home or office use.

This Class B digital apparatus meets all requirements of the Canadian Interference-Causing Equipment Regulations.

Cet appareil numérique de la classe B respecte toutes les exigences du Règlement sur le matériel brouilleur du Canada.

この装置は、情報処理装置等電波障害自主規制協議会（VCCI）の基準に基づくクラスB情報技術装置です。この装置は、家庭環境で使用することを目的としていますが、この装置がラジオやテレビジョン受信機に近接して使用されると、受信障害を引き起こすことがあります。
取扱説明書に従って正しい取り扱いをして下さい。

This is a Class B product based on the standard of the Voluntary Control Council for Interference from Information Technology Equipment (VCCI). If this is used near a radio or television receiver in a domestic environment, it may cause radio interference. Install and use the equipment according to the instruction manual.



LSI Logic Asia, Inc. Taiwan Branch
10/F, 156, Min Sheng E. Rd., Section 3,
Taipei, Taiwan, R.O.C.
Tel: 886.2.2718.7828
FAX: 886.2.2718.8869

LSI Logic Corporation
North American Headquarters
Milpitas, CA
Tel: 408.433.8000

This document contains proprietary information of LSI Logic Corporation. The information contained herein is not to be used by or disclosed to third parties without the express written permission of an officer of LSI Logic Corporation.

LSI Logic products are not intended for use in life-support appliances, devices, or systems. Use of any LSI Logic product in such applications without written consent of the appropriate LSI Logic officer is prohibited.

Document DB15-000192-01, Version 2.1 (July 2003). This document describes the LSI Logic Corporation Ultra320 SCSI to PCI-X Host Adapters and will remain the official reference source for all revisions/releases of this product until rescinded by an update.

The PCI and PCI-X interface is compatible with the *PCI Local Bus Specification, Revision 2.2* and *PCI-X Addendum to the PCI Local Bus Specification, Revision 1.0a*. The SCSI interface is compatible with the ANSI draft standard X3T10.11/1142.

LSI Logic Corporation reserves the right to make changes to any products herein at any time without notice. LSI Logic does not assume any responsibility or liability arising out of the application or use of any product described herein, except as expressly agreed to in writing by LSI Logic; nor does the purchase or use of a product from LSI Logic convey a license under any patent rights, copyrights, trademark rights, or any other of the intellectual property rights of LSI Logic or third parties.

Copyright © 2002-2003 by LSI Logic Corporation. All rights reserved.

TRADEMARK ACKNOWLEDGMENT

LSI Logic, the LSI Logic logo design, Fusion-MPT, Integrated Mirroring, and SureLINK are registered trademarks or trademarks of LSI Logic Corporation. Windows and Windows NT are registered trademarks of Microsoft Corporation. All other brand and product names may be trademarks of their respective companies.

KL

To receive product literature, visit us at <http://www.lsilogic.com>.

For a current list of our distributors, sales offices, and design resource centers, view our web page located at

<http://www.lsilogic.com/contacts/index.html>

Preface

This document is the user's guide for all LSI Logic Ultra320 SCSI to PCI-X Host Adapters. It contains a functional description of the Ultra320 SCSI host adapters as well as physical and electrical specifications. It also contains instructions for installing the host adapters and for connecting SCSI devices to them.

Audience

This document assumes that you have some familiarity with SCSI protocol and related support devices. This document benefits people installing and using the various Ultra320 SCSI to PCI-X host adapters.

Organization

This document has the following chapters and appendixes:

- [Chapter 1, Quick Installation Procedures](#), provides quick instructions for installing your Ultra320 SCSI host adapter and Windows device drivers.
- [Chapter 2, Detailed Host Adapter Installation](#), provides detailed instructions for installing your Ultra320 SCSI host adapter.
- [Chapter 3, Ultra320 SCSI Host Adapter Characteristics](#), illustrates the various LSI Logic Ultra320 SCSI host adapters and provides PCI and SCSI interface information.
- [Appendix A, Glossary of Terms](#), provides definitions of terms used in this book.

Related Publications

LSI53C1020 PCI to Ultra320 SCSI Controller Technical Manual,
LSI Logic Corporation, Document number DB14-000176-04

*LSI53C1030 PCI to Dual Channel Ultra320 SCSI Multifunction Controller
Technical Manual*, LSI Logic Corporation, Document number
DB14-000156-03

Fusion-MPT™ Device Management User's Guide, LSI Logic Corporation,
Document number DB15-000186-01

Revision Record

Version	Date	Remarks
1.0	9/2001	This release provides information about the LSI22320-R, LSI21320, and LSI20320 Ultra320 SCSI to PCI Host Adapters.
2.0	5/2002	Final version
2.1	7/2003	Corrected glossary entries for Ultra160 and Ultra320. Other minor editing also. In Section 3.3.2, corrected storage temp range to -40 °C to 105 °C.

Contents

Chapter 1

Quick Installation Procedures

1.1	General Description	1-1
1.2	Quick Host Adapter Installation	1-2
1.3	Quick Windows Driver Installation	1-4

Chapter 2

Detailed Host Adapter Installation

2.1	Installing your Ultra320 SCSI Host Adapter	2-1
2.1.1	Selecting a PCI Slot	2-1
2.1.2	Inserting the Host Adapter	2-3
2.2	SCSI Device Cables	2-4
2.2.1	Internal SCSI Cables	2-4
2.2.2	External SCSI Cable	2-5
2.3	Connecting SCSI Devices	2-6
2.3.1	Connecting Internal SCSI Devices	2-6
2.3.2	Connecting the LED Cable	2-8
2.3.3	Connecting External SCSI Devices	2-9
2.4	Terminating the SCSI Bus	2-11
2.4.1	LSI20320 Host Adapter Termination	2-11
2.4.2	LSI21320 Host Adapter Termination	2-11
2.4.3	LSI22320 Host Adapter Termination	2-11
2.5	Setting SCSI IDs	2-12
2.6	Completing the Installation	2-13

Chapter 3

Ultra320 SCSI Host Adapter Characteristics

3.1	Ultra320 SCSI to PCI-X Host Adapters	3-1
3.1.1	LSI20320 Single Channel Host Adapters	3-2

3.1.2	LSI21320 Dual Channel Host Adapters	3-4
3.1.3	LSI22320 Dual Channel Host Adapters	3-6
3.2	Host Adapter Characteristics	3-8
3.3	Technical Specifications	3-8
3.3.1	Electrical Characteristics	3-9
3.3.2	Thermal and Atmospheric Characteristics	3-9
3.3.3	Safety Characteristics	3-10

Appendix A
Glossary of Terms

Customer Feedback

Figures

2.1	Hardware Connections for the Host Adapter	2-2
2.2	Inserting the Host Adapter	2-3
2.3	SCSI Cable – 68-pin High Density with Terminator	2-4
2.4	SCSI Cable – 68-pin High Density without Terminator	2-4
2.5	SCSI Cable – 68-pin VHDCI	2-5
2.6	Connecting Internal SCSI Cable to Host Adapter	2-6
2.7	Connecting Multiple Internal SCSI Devices	2-7
2.8	SCSI LED Connector	2-8
2.9	Connecting One External SCSI Device	2-9
2.10	Connecting Multiple External SCSI Devices	2-10
3.1	LSI20320, LSI20320-R and LSI21320L Host Adapters	3-3
3.2	LSI20320H Host Adapter	3-3
3.3	LSI21320 or LSI21320-R Drawing	3-5
3.4	LSI22320 and LSI22320-R Drawing	3-7

Tables

1.1	Ultra320 SCSI Controllers and Host Adapters	1-1
2.1	SCSI ID Record for Dual Channel Adapter	2-12
2.2	Host Adapter Installation Check List	2-13
3.1	Ultra320 SCSI, 64-bit, 133 MHz PCI-X Host Adapters	3-1
3.2	Host Adapter Characteristics	3-8
3.3	Maximum Power Requirements	3-9

Chapter 1

Quick Installation Procedures

This chapter contains general information about Ultra320 SCSI controllers and host adapters. It provides quick host adapter installation instructions and SCSI bus setup for *experienced computer users*. It also provides quick installation instructions for Windows device drivers. This chapter includes these topics:

- [Section 1.1, "General Description," page 1-1](#)
- [Section 1.2, "Quick Host Adapter Installation," page 1-2](#)
- [Section 1.3, "Quick Windows Driver Installation," page 1-4](#)

1.1 General Description

LSI Logic provides high-performance, cost-effective Ultra320 SCSI controllers and host adapters. [Table 1.1](#) shows the LSI Logic controllers and their associated host adapters that support Ultra320 SCSI. For specific information about the Ultra320 SCSI controllers, refer to the related publications section in the Preface.

Table 1.1 Ultra320 SCSI Controllers and Host Adapters

Controllers	Host Adapters
LSI53C1020	LSI20320, LSI20320H, LSI20320L, LSI20320-R
LSI53C1030	LSI21320, LSI21320-R, LSI22320, LSI22320-R

Installing any of these adapters in your PCI or PCI-X system allows you to connect up to 15 SCSI devices per channel over a SCSI bus. You can use the Ultra320 SCSI host adapters in PCI-X computer systems with a standard bracket type.

To achieve Ultra320 SCSI performance, you must connect only Low Voltage Differential (LVD) devices to the host adapter. If you connect single-ended (SE) devices and LVD devices, the entire bus will drop to the lower SE speed, limiting bus performance to Ultra SCSI.

The Ultra320 SCSI host adapters support all major operating systems, such as Windows (NT 4.0, 2000, NET and XP), Linux, NetWare, UnixWare, SCO OpenServer 5.X, OS/2, and Solaris. Other software support includes SureLINK™ Domain Validation on Windows systems. Domain Validation ensures data integrity by intelligently testing the network before completing negotiation.

The Ultra320 SCSI host adapters utilize Fusion-MPT™ architecture for all major operating systems, which allows for thinner drivers and better performance. To obtain a device driver that supports your operating system, contact the LSI Logic technical support team at 719-533-7230 or visit our website at <http://www.lsillogic.com>.

1.2 Quick Host Adapter Installation

Use these quick installation steps if you have installed computer add-in boards before and connected devices to them. If you prefer more detailed instructions and guidance, refer to [Section 2.1, "Installing your Ultra320 SCSI Host Adapter," page 2-1](#).

To install an Ultra320 SCSI to PCI-X host adapter, follow these steps:

Step 1. Turn off and unplug the computer.

Warning: Be sure to disconnect the computer's power before you remove the cover and install the Ultra320 SCSI host adapter.

Step 2. Open your computer cabinet by removing its cover.

Step 3. Be sure to touch a grounded metal surface to discharge static electricity before handling the host adapter.

Step 4. Remove the host adapter from its packaging and examine it for any damage.

Step 5. Locate an unused PCI-X or PCI slot.

Step 6. Insert your Ultra320 SCSI host adapter into the selected slot.

- Step 7. Connect the internal and external SCSI devices to connectors on one SCSI channel.
- Step 8. Install SCSI bus terminators at the ends of the SCSI bus.
The SCSI bus must be properly terminated.
- Step 9. Set the SCSI IDs for all devices and record them for future reference.
- Step 10. Make any configuration changes.
- Step 11. Before replacing the cover on your computer, verify your installation:
- Is the host adapter connection in the PCI-X or PCI bus slot secure?
 - Are the internal SCSI bus connections secure?
 - Are the external SCSI bus connections secure?
 - Is the SCSI bus terminated correctly?
 - Have the SCSI IDs been set and recorded for each device?
- Step 12. Replace the cabinet cover on your computer.
- Step 13. Plug in all power cords and turn on power to all devices and your computer.
- Step 14. Wait for your computer to start up.
- The host adapter installation is complete.

1.3 Quick Windows Driver Installation

To load the `SYMPTI.SYS` miniport driver during a new Windows NT, Windows 2000, Windows XP or Windows .NET system installation, you can boot directly from the Microsoft installation CD-ROM. The Windows drivers are not interchangeable; however, the instructions are very similar.

To install a new Windows operating system and its appropriate device driver, follow these steps:

- Step 1. Have the Microsoft Windows driver diskette available to insert into drive A when prompted.
- Step 2. Boot the computer from the Microsoft Windows CD-ROM.
- Step 3. Press F6 when the words `Setup is inspecting your computer's hardware configuration appear, or when Windows prompts you for nonsupported drivers.`

Important: You must press F6 for the new driver to be recognized. Otherwise, the system does not recognize the devices controlled by the driver during the Windows setup.

- Step 4. Follow the instructions until a screen displaying the words `Setup could not determine the type of one or more mass storage device... appears.`
- Step 5. Choose S to Specify Additional Devices.
- Step 6. Follow the prompts and insert the Windows driver diskette when prompted.
- Step 7. Follow the Microsoft Windows installation procedure to complete the installation. Microsoft provides documentation with their installation CD-ROM.
- Step 8. If you are installing Windows NT 4.0, also install the Service Packs 5 or higher after Windows NT 4.0 has been installed.

Note: Refer to the *Fusion-MPT™ Device Management User's Guide* for detailed configuration and installation instructions for all firmware and drivers.

Chapter 2

Detailed Host Adapter Installation

This chapter provides detailed instructions on how to install the LSI Logic Ultra320 SCSI to PCI-X host adapters and includes these topics:

- Section 2.1, "Installing your Ultra320 SCSI Host Adapter," page 2-1
 - Section 2.2, "SCSI Device Cables," page 2-4
 - Section 2.3, "Connecting SCSI Devices," page 2-6
 - Section 2.4, "Terminating the SCSI Bus," page 2-11
 - Section 2.5, "Setting SCSI IDs," page 2-12
 - Section 2.6, "Completing the Installation," page 2-13
-

2.1 Installing your Ultra320 SCSI Host Adapter

This section provides detailed instructions for installing your host adapter and connecting your SCSI devices to it. The following illustrations show the LSI22320-R Dual Channel Ultra320 SCSI host adapter. However, these illustrations apply to all host adapters. For more information about all the Ultra320 SCSI host adapters, see [Chapter 3, "Ultra320 SCSI Host Adapter Characteristics."](#)

2.1.1 Selecting a PCI Slot

Step 1. Turn off and unplug your computer

Warning: Be sure to disconnect the computer's power before you remove the cover and install the Ultra320 SCSI host adapter.

Step 2. Open your computer cabinet by removing its cover.

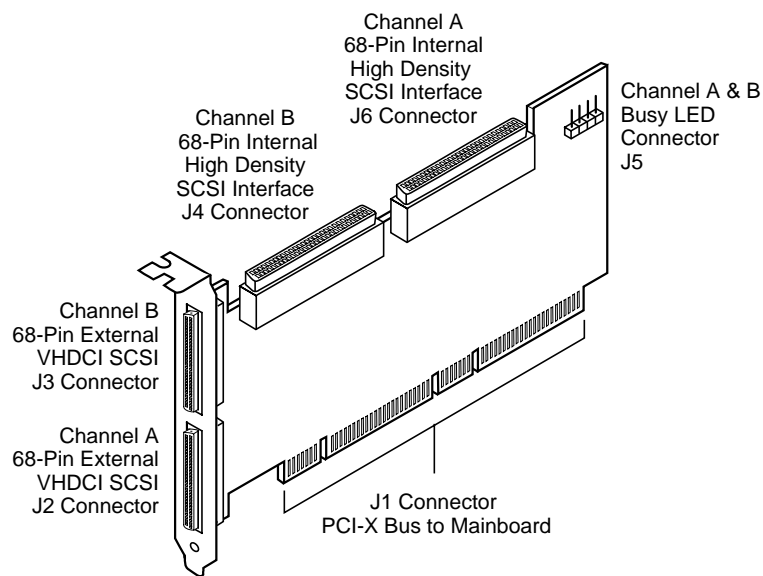
Step 3. Be sure to touch a grounded metal surface to discharge static electricity before removing the host adapter from its package.

Caution: You must touch a grounded metal surface before handling the host adapter because static charges on your body can damage electronic components. Handle plug-in boards by the edge; do not touch board components or gold connector contacts. LSI Logic recommends that you use a static ground strap.

Step 4. Remove your Ultra320 SCSI host adapter from its packaging and verify that it is not damaged.

Figure 2.1 shows the LSI22320 host adapter. The LSI20320 and LSI21320 Ultra320 SCSI host adapters are different in design and size. Refer to Chapter 3, "Ultra320 SCSI Host Adapter Characteristics," for more details.

Figure 2.1 Hardware Connections for the Host Adapter



Step 5. Find an unused PCI-X or PCI slot.

Note: You can insert a 64-bit host adapter into a 32-bit slot if no 64-bit slots are available. However, if you do this, the data transmission rate is limited to standard PCI speed.

2.1.2 Inserting the Host Adapter

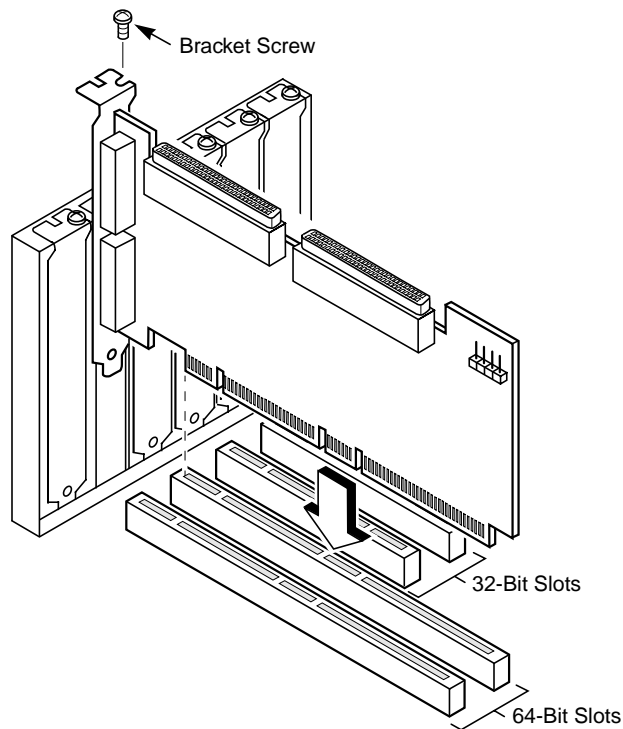
Perform the following steps to install your Ultra320 SCSI host adapter in the PC mainboard.

Step 1. Remove the blank bracket panel on the back of the computer that is aligned with the PCI-X slot you have selected.

Save the bracket screw.

Step 2. Carefully insert the edge connector J1 of the host adapter into the PCI-X slot, as shown in [Figure 2.2](#).

Figure 2.2 Inserting the Host Adapter



Step 3. Make sure the edge connector is properly aligned before pressing the adapter into place. The bracket around connectors J2 and J3 should fit into the empty space where the blank bracket panel was removed.

Step 4. Be sure to tighten the bracket screw into the bracket securely before you connect the internal and external SCSI devices.

2.2 SCSI Device Cables

For reliable Ultra320 operation, be sure to use an Ultra320 rated SCSI cable. The Ultra320 SCSI cable also has built-in low voltage differential and single-ended termination. This built-in feature is included because most Ultra320 SCSI hard disk drives are not made with on-board low voltage differential termination.

2.2.1 Internal SCSI Cables

You can connect all internal SCSI devices to the host adapter with an unshielded, twisted pair, 68-pin ribbon cable. Some 68-pin internal cables come with a low voltage differential and single-ended terminator on one end, which must be furthest from the host adapter. [Figure 2.3](#) and [Figure 2.4](#) show internal cables with and without a terminator.

Figure 2.3 SCSI Cable – 68-Pin High Density with Terminator

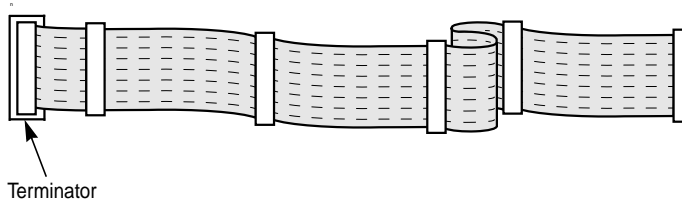
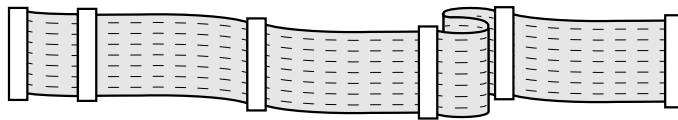


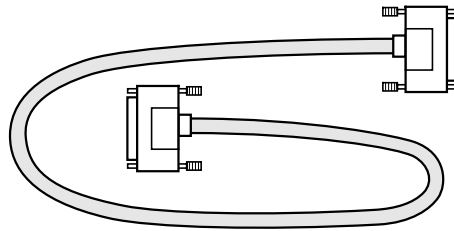
Figure 2.4 SCSI Cable – 68-Pin High Density without Terminator



2.2.2 External SCSI Cable

You can connect all external SCSI devices to the host adapter with shielded cables. You need one 68-pin very high density cable for each device. [Figure 2.5](#) shows an example of an external SCSI cable.

Figure 2.5 SCSI Cable – 68-Pin VHDCI



2.3 Connecting SCSI Devices

This section explains how to connect internal and external SCSI devices to the Ultra320 SCSI host adapters.

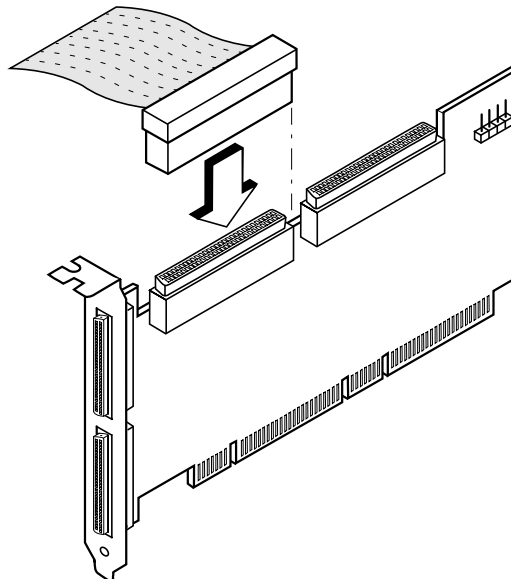
2.3.1 Connecting Internal SCSI Devices

This section provides step-by-step instructions for connecting internal SCSI devices. The figures show the LSI22320 host adapter, which has two internal connectors and two external connectors. Other Ultra320 SCSI host adapter models have different numbers of connectors. Refer to [Section 2.2.1, "Internal SCSI Cables," page 2-4](#) for examples of internal cables.

If you only need to connect external devices, skip to [Section 2.3.3, "Connecting External SCSI Devices," page 2-9](#). Otherwise follow these steps:

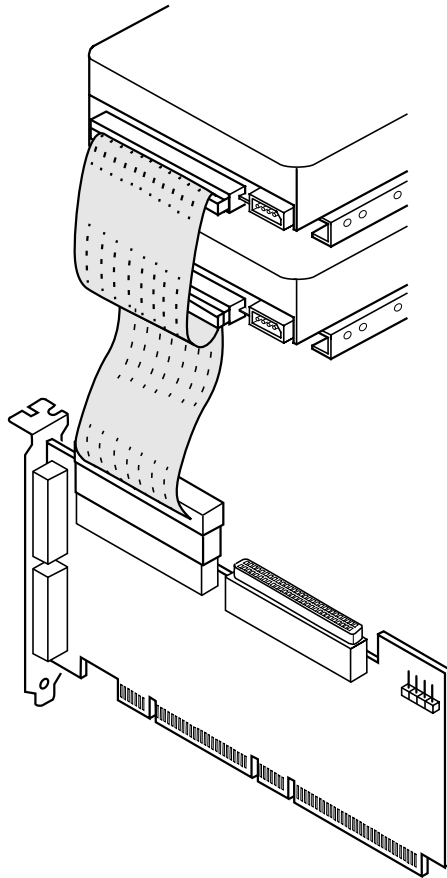
- Step 1. Plug the 68-pin connector on the end of the SCSI ribbon cable into the internal connector on the host adapter. [Figure 2.6](#) shows how to do this.

Figure 2.6 Connecting Internal SCSI Cable to Host Adapter



Step 2. Plug the 68-pin connector on the other end of the internal SCSI ribbon cable into the SCSI connector on the internal SCSI device. [Figure 2.7](#) shows how to do this.

Figure 2.7 Connecting Multiple Internal SCSI Devices



Step 3. If you have another internal SCSI device, connect the internal SCSI ribbon cable to it. [Figure 2.7](#) shows how to do this. You can connect other devices if the cable has more connectors. The Ultra320 SCSI host adapters support up to 15 SCSI devices connected to each SCSI channel.

Step 4. Be sure that termination is enabled at the end of the cable that is farthest away from the SCSI host adapter. See [Section 2.4](#),

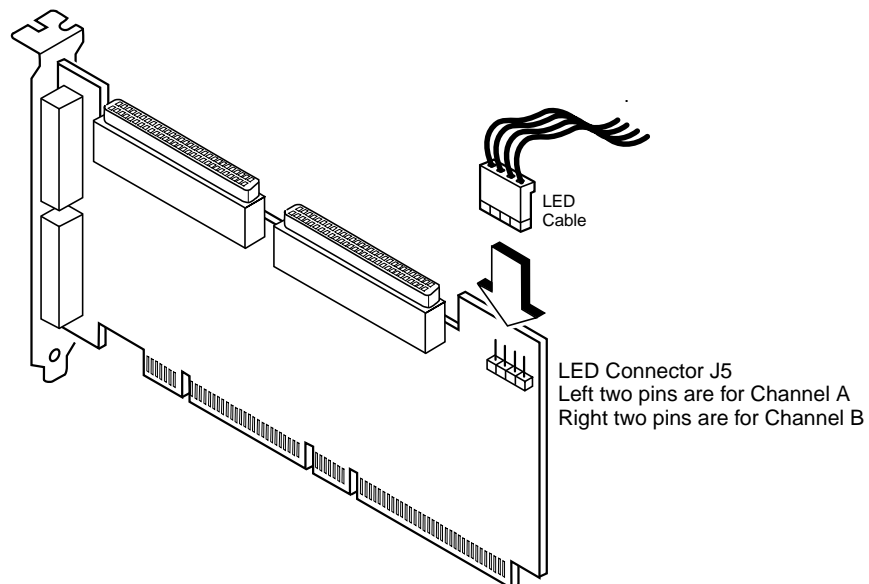
“Terminating the SCSI Bus,” page 2-11 for more information about SCSI bus termination.

2.3.2 Connecting the LED Cable

Most computer cabinets have a front panel LED. When properly connected, the front panel LED lights when there is activity on the SCSI bus.

Connect the LED cable to connector J5 on the host adapter, as shown in Figure 2.8. Connector J5 is not keyed.

Figure 2.8 SCSI LED Connector



The orientation of the LED cable does not matter as long as all four pins are connected. If the LED does not light during SCSI bus activity from this host adapter, you may have to rotate the LED cable connector 180° on J5.

If your LED cable has only two wires, place the connector on one end or the other of J5. If the LED does not light when there is SCSI activity, move the connector to the other half of J5.

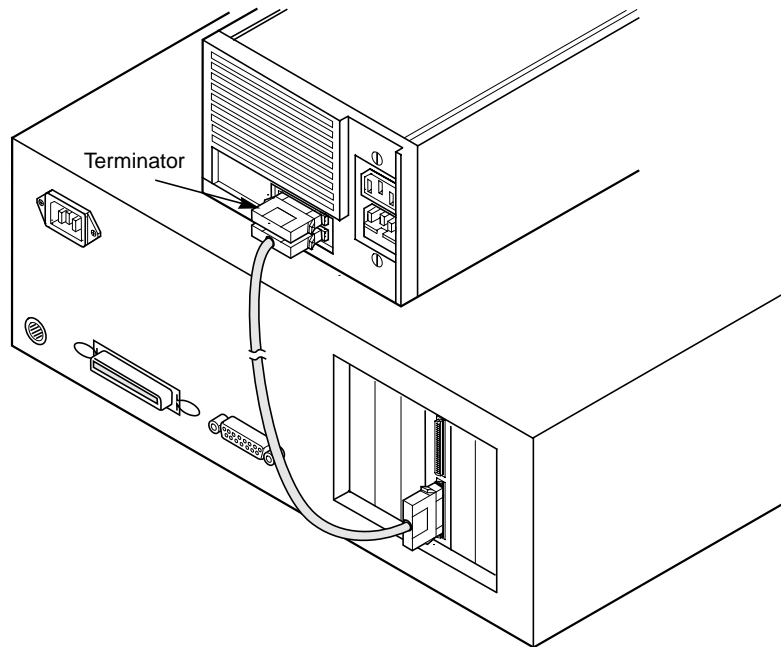
2.3.3 Connecting External SCSI Devices

This section provides step-by-step instructions for connecting external SCSI devices. Refer to [Section 2.2.2, "External SCSI Cable," page 2-5](#) for examples of external cables.

- Step 1. Plug the 68-pin VHDCI connector on one end of a shielded external high density cable into the host adapter's external SCSI connector. This connector is exposed on the back panel of your computer.
- Step 2. Plug the 68-pin VHDCI connector on the other end of the shielded external SCSI cable into the SCSI connector on the first external SCSI device.

[Figure 2.9](#) shows how to connect a single external SCSI device. If you have the correct cable, it will match the external connector.

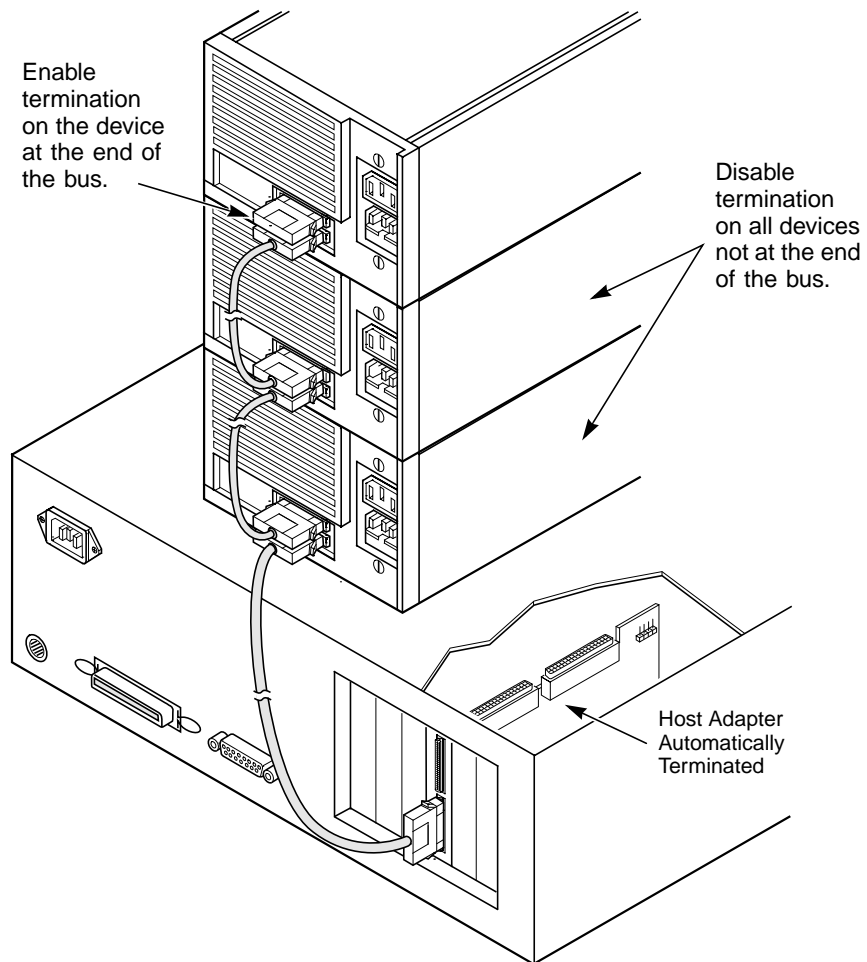
Figure 2.9 Connecting One External SCSI Device



Step 3. Connect any additional SCSI devices to one another with shielded external SCSI cables. You need a separate SCSI cable for each additional device.

Figure 2.10 shows how to connect multiple external SCSI devices.

Figure 2.10 Connecting Multiple External SCSI Devices



Step 4. Be sure that termination is enabled on the last external SCSI device as shown in Figure 2.10. See Section 2.4, "Terminating the SCSI Bus," page 2-11 for more information about SCSI bus termination.

2.4 Terminating the SCSI Bus

The SCSI bus contains all the devices that you connect with SCSI cables. When you connect the first and last physical SCSI devices on the ends of the SCSI bus, you must have termination active. You must remove or disable termination on all other SCSI devices on the same bus.

If you connected only internal SCSI devices on a bus, the host adapter automatically terminates itself. If you connected only external SCSI devices on a bus, the host adapter also terminates automatically. Automatic termination occurs because the host adapter connection is at the *end* of the SCSI bus. If you connect both internal and external SCSI devices on a bus, the host adapter automatically disables its termination. This occurs because the host adapter is in the *middle* of the SCSI bus.

2.4.1 LSI20320 Host Adapter Termination

The LSI20320, LSI20320H, LSI20320L, and LSI20320-R host adapters provide active termination with an automatic means of enabling and disabling the termination. When you connect SCSI devices to both the internal and external connectors, host adapter termination is automatically disabled.

2.4.2 LSI21320 Host Adapter Termination

The LSI21320(-R) host adapter provides active termination with an automatic means of enabling and disabling the termination. When you connect SCSI devices to the internal and external connectors on Channel A, termination for Channel A is automatically disabled.

Channel B has only one SCSI connector. Channel B termination is always enabled.

2.4.3 LSI22320 Host Adapter Termination

The LSI22320(-R) host adapter provides active termination with an automatic means of enabling and disabling the termination. When you connect SCSI devices to both the internal and external connectors on a given channel, termination for that channel is automatically disabled.

2.5 Setting SCSI IDs

SCSI IDs identify each SCSI device on the SCSI bus. Each SCSI ID on a given bus must be unique. The IDs are 0 through 15 for a 16-bit bus. The preset host adapter ID setting is 7, which gives the highest priority to the host adapter.

If you plan to boot your computer from a SCSI hard disk drive, you must assign SCSI ID 0 to the drive. Normally, you do not change the host adapter SCSI ID setting from its default value.

Typically, you set the SCSI ID of the SCSI device with jumpers or with a switch on the device. You must not duplicate SCSI IDs on a SCSI bus. LSI Logic recommends that you record the SCSI IDs of all SCSI devices. [Table 2.1](#) provides a place to keep this record.

Table 2.1 SCSI ID Record for Dual Channel Adapter

SCSI ID	SCSI Device Channel A	SCSI Device Channel B
15		
14		
13		
12		
11		
10		
9		
8		
7	Ultra320 SCSI to PCI-X host adapter	Ultra320 SCSI to PCI-X host adapter
6		
5		
4		
3		
2		
1		
0		

2.6 Completing the Installation

Before replacing the cover on your computer, complete the checklist as shown in [Table 2.2](#).

Table 2.2 Host Adapter Installation Check List

Verify Installation Procedures	Done
Host adapter connection in PCI-X bus slot is secure (level)	
Internal SCSI bus connections are secure (pin-1 continuity)	
External SCSI bus connections are secure	
Proper SCSI bus termination established	
Unique SCSI IDs set and recorded for each device	

After you verify all items on the checklist, follow these steps:

- Step 1. Replace the cabinet cover on your computer.
- Step 2. Plug in all power cords, and turn on power to all devices and your computer.
- Step 3. Wait for your computer to boot up.

Note: To change default configurations of the Ultra320 SCSI host adapters, refer to the *Fusion-MPT™ Device Management System User's Guide*.

Chapter 3

Ultra320 SCSI Host Adapter Characteristics

This chapter describes the LSI Logic Ultra320 SCSI to PCI-X host adapters. This chapter includes these topics:

- [Section 3.1, "Ultra320 SCSI to PCI-X Host Adapters," page 3-1](#)
- [Section 3.2, "Host Adapter Characteristics," page 3-7](#)
- [Section 3.3, "Technical Specifications," page 3-7](#)

3.1 Ultra320 SCSI to PCI-X Host Adapters

PCI-X is a high-speed standard local bus for interfacing a number of I/O components to the processor and memory subsystems in a high-end PC. The component height on the top and bottom of the Ultra320 SCSI host adapters follow the *PCI Local Bus Specification, Revision 2.2* and *PCI-X Addendum to the PCI Local Bus Specification, Revision 1.0a*. The Ultra320 SCSI host adapters are used in PCI-X and PCI computer systems with PCI standard and PCI low profile bracket types. [Table 3.1](#) lists the LSI Logic Ultra320 SCSI host adapters.

Table 3.1 Ultra320 SCSI, 64-bit, 133 MHz PCI-X Host Adapters

Adapter	Channel	Bracket	Board Dimensions
LSI20320	Single Channel Ultra320 SCSI	Standard	6.6 x 2.53 inches, 167.6 x 64.3 mm
LSI20320-R	Single Channel Ultra320 SCSI	Standard	6.6 x 2.53 inches, 167.6 x 64.3 mm
LSI20320L	Single Channel Ultra320 SCSI	Low Profile	6.6 x 2.53 inches, 167.6 x 64.3 mm
LSI20320H	Single Channel Ultra320 SCSI	Standard	6.6 x 3.25 inches, 167.6 x 82.6 mm
LSI21320	Dual Channel Ultra320 SCSI	Standard	6.6 x 3.25 inches, 167.6 x 82.6 mm
LSI21320-R	Dual Channel Ultra320 SCSI	Standard	6.6 x 3.25 inches, 167.6 x 82.6 mm
LSI22320	Dual Channel Ultra320 SCSI	Standard	6.6 x 4.0 inches, 167.6 x 106.7 mm
LSI22320-R	Dual Channel Ultra320 SCSI	Standard	6.6 x 4.0 inches, 167.6 x 106.7 mm

3.1.1 LSI20320 Single Channel Host Adapters

The LSI20320, LSI20320-R, LSI20320L and LSI20320H are single channel Ultra320 SCSI to PCI-X host adapters that provide one Ultra320 SCSI channel. The SCSI Channel A interface for the LSI20320, LSI20320-R and LSI20320L is made through connectors J1 and J3. See [Figure 3.1](#) for details. The SCSI Channel A interface for the LSI20320H is made through connectors J2 and J4. See [Figure 3.2](#) for details.

Features of the LSI20320 series of host adapters are

- single Ultra320 SCSI channel
- two SCSI connectors
 - one external 68-pin very high density cable interconnect (VHDCI) connection for LSI20320, LSI20320-R, and LSI20320L
 - one external 68-pin high density connector for LSI20320H
 - one internal 68-pin high density connector for all boards
- PCI low profile bracket (LSI20320L only)
- LVD/SE termination
- LSI Logic Integrated Mirroring™ (IM) technology for boot volume and operating system protection (IM is for the LSI20320-R only)
- Fusion-MPT architecture

Details of the LSI20320, LSI20320-R, and LSI20320L host adapters are

- J5: PCI and PCI-X, 64-bit, universal type board edge connector
- J1: 68-pin very high density cable interconnect shielded right-angle external connector
- J3: 68-pin high density right-angle internal connector
- HDR2: 4-pin low density un-shrouded right-angle LED connector
- Subsystem Vendor ID: 0x1000
- Subsystem ID: 0x1060

During system initialization, the system loads the ID numbers into the Subsystem Vendor ID and Subsystem ID registers of the embedded SCSI controller.

Figure 3.1 illustrates the LSI20320, LSI20320-R, or LSI20320L host adapter. The LSI20320L adapter uses a PCI low profile bracket. Figure 3.2 illustrates the LSI20320H host adapter.

Figure 3.1 LSI20320, LSI20320-R and LSI20320L Host Adapters

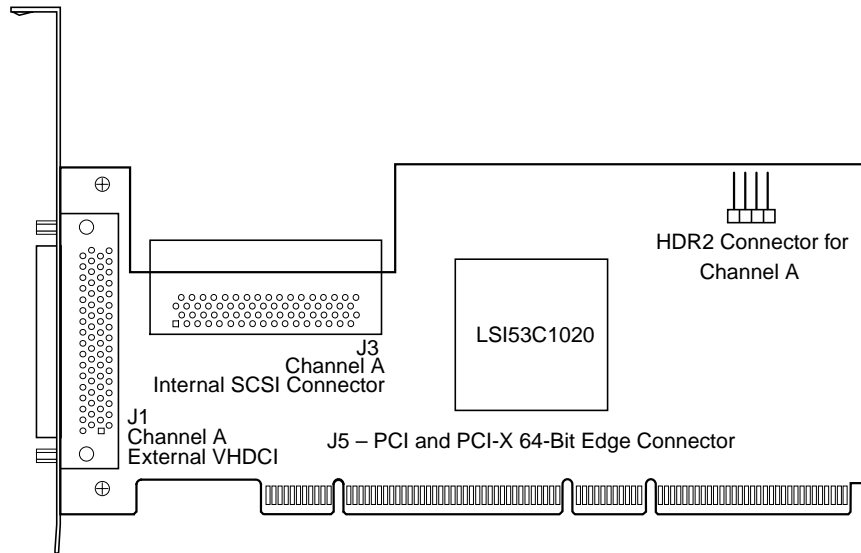
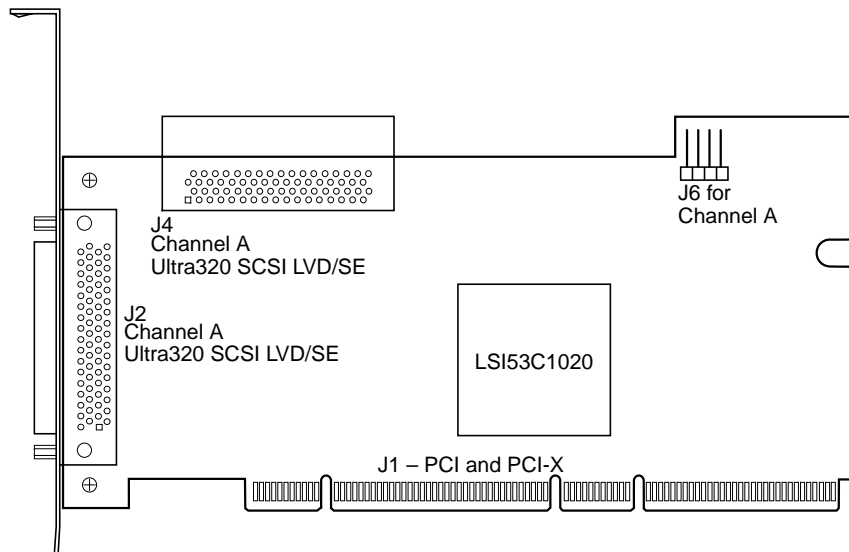


Figure 3.2 LSI20320H Host Adapter



3.1.2 LSI21320 Dual Channel Host Adapters

The LSI Logic LSI21320 and LSI21320-R are dual channel Ultra320 SCSI to PCI-X host adapters that provide two Ultra320 SCSI channels. The SCSI Channel A interface is made through connectors J2 and J4. The SCSI Channel B interface is made through connector J3. See [Figure 3.3](#) for details.

Features of the LSI21320 host adapters are

- two independent Ultra320 SCSI channels
- three SCSI connectors:
 - one external 68-pin high density connector
 - two internal 68-pin high density connectors
- LVD/SE termination
- LSI Logic Integrated Mirroring (IM) technology for boot volume and operating system protection (IM is for the LSI21320-R only)
- Fusion-MPT architecture

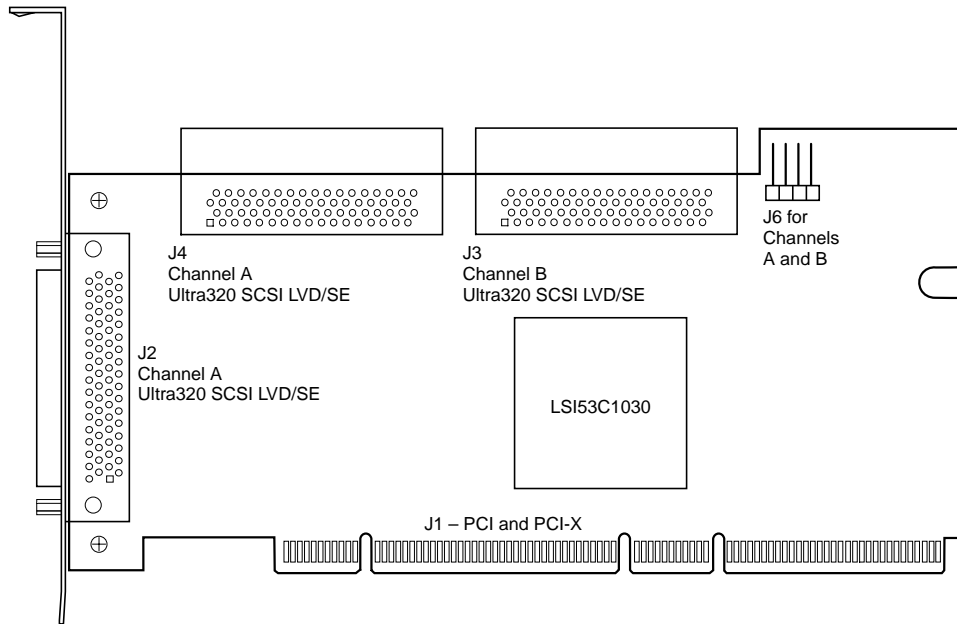
Details of the LSI21320 and LSI21320-R host adapters are

- J1: PCI and PCI-X, 64-bit, universal type board edge connector
- J2: 68-pin high density cable right-angle external connector
- J3 and J4: 68-pin high density right-angle internal connectors
- J6: 4-pin low density unshrouded right-angle LED connector
- Subsystem Vendor ID: 0x1000
- Subsystem ID: 0x1040

During system initialization, the system loads the ID numbers into the Subsystem Vendor ID and Subsystem ID registers of the embedded SCSI controller.

[Figure 3.3](#) illustrates the LSI21320 or LSI2120-R host adapter board.

Figure 3.3 LSI21320 or LSI21320-R Drawing



3.1.3 LSI22320 Dual Channel Host Adapters

The LSI Logic LSI22320 and LSI22320-R are dual channel Ultra320 SCSI to PCI-X host adapters that provide two Ultra320 SCSI channels. The SCSI Channel A interface is made through connectors J2 and J6. The SCSI Channel B interface is made through connectors J3 and J4. See [Figure 3.4](#) for details.

Features of the LSI22320 and LSI22320-R host adapters are

- two independent Ultra320 SCSI channels
- four SCSI connectors:
 - two external 68-pin very high density cable interconnect (VHDCI) connectors
 - two internal 68-pin high density connectors
- LVD/SE termination
- LSI Logic Integrated Mirroring (IM) technology for boot volume and operating system protection (IM is for the LSI22320-R only)
- Fusion-MPT architecture

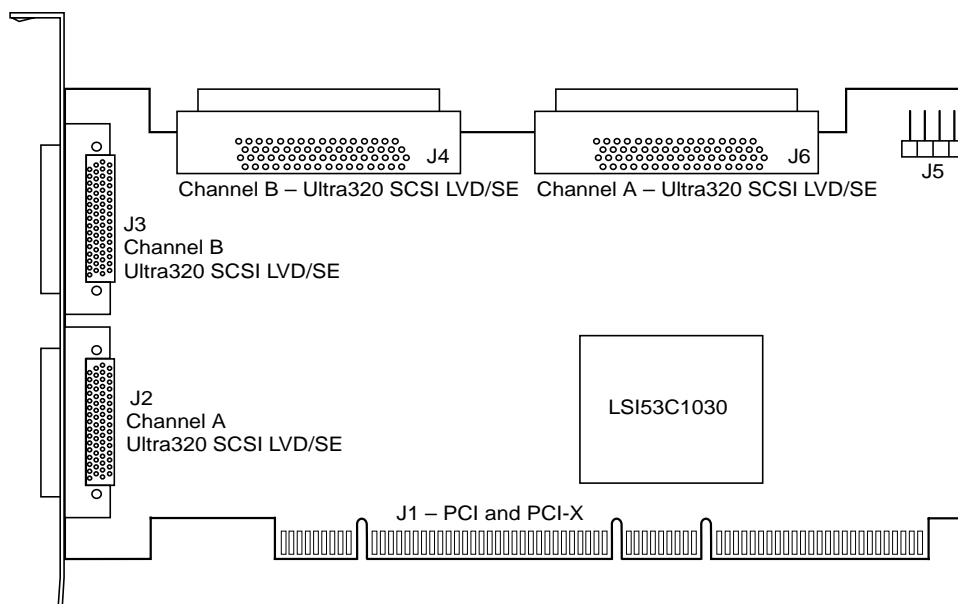
Details of the LSI22320 and LSI22320-R host adapters are

- J1: PCI and PCI-X, 64-bit, universal type board edge connector
- J2 and J3: 68-pin very high density cable interconnect right-angle external connectors
- J4 and J6: 68-pin high density right-angle internal connectors
- J5: 4-pin low density unshrouded right-angle LED connector
- Subsystem Vendor ID: 0x1000
- Subsystem ID: 0x1010

During system initialization, the system loads the ID numbers into the Subsystem Vendor ID and Subsystem ID registers of the embedded SCSI controller.

Figure 3.4 illustrates the LSI22320 or LSI22320-R host adapter.

Figure 3.4 LSI22320 and LSI22320-R Drawing



3.2 Host Adapter Characteristics

Table 3.2 shows the general characteristics for all Ultra320 SCSI PCI Host Adapters.

Table 3.2 Host Adapter Characteristics

Flash ROM ¹	Serial EEPROM ²	LVD/SE Signaling	Ultra320 SCSI Data Transfers	SCSI Features	SCSI Termination
Yes	Yes	16-bit SE or LVD interfaces	Up to 320 Mbytes/s as well as Fast, Ultra, Ultra2, and Ultra160 speeds; Synchronous offsets up to 62.	Plug and Play Scatter/Gather Activity LED	TERMPWR with autoresetting circuit breaker

1. For boot code and firmware
2. For BIOS configuration storage

Each Ultra320 SCSI adapter offers SureLINK Domain Validation technology to ensure data integrity by intelligently validating the compatibility of the SCSI domain. These adapters also utilize Fusion-MPT architecture that allows for thinner drivers and better performance.

3.3 Technical Specifications

The design and implementation of the Ultra320 SCSI host adapters minimize electromagnetic emissions, susceptibility to radio frequency energy, and the effects of electrostatic discharge. The adapter carries the CE mark, C-Tick mark, FCC Self-Certification logo, Canadian Compliance Statement, Korean MIC, Taiwan BSMI, Japan VCCI, and meets the requirements of CISPR Class B.

3.3.1 Electrical Characteristics

Table 3.3 lists the maximum power requirements for standard Ultra320 SCSI to PCI-X host adapters, including SCSI TERMPWR, under normal operation.

Table 3.3 Maximum Power Requirements

Host Adapter	PCI/PCI-X +5.0 V	PCI/PCI-X +3.3 V	PCI PRSNT1#/ PRSNT2# Power	Over the Operating Range
LSI20320 LSI20320-R LSI20320-L LSI20320-H	1.5 A	2.0 A	15 W	0 °C to 55 °C
LSI21320 LSI21320-R	1.5 A	2.5 A	15 W	0 °C to 55 °C
LSI22320 LSI22320-R	5 A	0.0 A	25 W	0 °C to 55 °C

3.3.2 Thermal and Atmospheric Characteristics

The thermal and atmospheric characteristics for all Ultra320 SCSI host adapters are

- temperature range: 0 °C to 55 °C (dry bulb)
- relative humidity range: 5% to 90% noncondensing
- maximum dew point temperature: 32 °C
- airflow must be sufficient to keep the LSI53C1020 and LSI53C1030 heat sink temperature below 80 °C

The following parameters define the storage and transit environment for the Ultra320 SCSI host adapters:

- temperature range: –40 °C to 105 °C (dry bulb)
- relative humidity range: 5% to 90% noncondensing

3.3.3 Safety Characteristics

All Ultra320 SCSI host adapters meet or exceed the requirements of UL flammability rating 94 V0. Each bare board is also marked with the supplier's name or trademark, type, and UL flammability rating. Because these boards are installed in a PCI bus slot, all voltages are below the SELV 42.4 V limit.

Appendix A

Glossary of Terms

Active Termination	The electrical connection required at each end of the SCSI bus, composed of active voltage regulation and a set of termination resistors. Ultra SCSI, Ultra2 SCSI, Ultra160 SCSI, and Ultra320 SCSI require active termination.
BIOS	Basic Input/Output System. Software that provides basic read/write capability. Usually kept as firmware (ROM based). The system BIOS on the mainboard of a computer is used to boot and control the system. The SCSI BIOS on the host adapter acts as an extension of the system BIOS.
Configuration	Refers to the way a computer is set up; the combined hardware components (computer, monitor, keyboard, and peripheral devices) that make up a computer system; or the software settings that allow the hardware components to communicate with each other.
Device Driver	A program that allows a microprocessor (through the operating system) to direct the operation of a peripheral device, such as a disk drive.
Domain Validation	A software procedure in which a host queries a device to determine its ability to communicate at the negotiated data rate.
EEPROM	Electrically Erasable Programmable Read Only Memory. A memory chip typically used to store configuration information.
External SCSI Device	A SCSI device installed outside the computer cabinet. These devices are connected together using specific types of shielded cables.
Fusion-MPT Architecture	Fusion-MPT (Message Passing Technology) architecture consists of several main elements: Fusion-MPT firmware, the Fibre Channel and SCSI hardware, and the operating system level drivers that support these architectures. Fusion-MPT architecture offers a single binary, operating system driver that supports both Fibre Channel and SCSI devices.

Host	The computer system in which a SCSI host adapter is installed. It uses the SCSI host adapter to transfer information to and from devices attached to the SCSI bus.
Host Adapter	A circuit board or integrated circuit that provides a device connection to the host.
Internal SCSI Device	A SCSI device installed inside the computer cabinet. These devices are connected to one another with an unshielded ribbon cable.
PCI and PCI-X	Peripheral Component Interconnect. A high performance local bus specification that allows connection of devices directly to computer memory. The PCI Local Bus allows transparent upgrades from a 32-bit data path at 33 MHz to a 64-bit data path at 33 MHz; from a 32-bit data path at 66 MHz to a 64-bit data path at 66 MHz; and from a 32-bit data path at 133 MHz to a 64-bit data path at 133 MHz (1064 Mbytes/s peak).
Peripheral Device	A piece of hardware (such as a disk drive, printer, or CD-ROM) used with a computer and under the computer's control. SCSI peripheral devices are controlled through a SCSI host adapter.
SCSI Bus	A host adapter and one or more SCSI devices connected by cables in a linear configuration. The host adapter may exist anywhere on the bus, allowing connection of both internal and external SCSI devices. A system may have more than one SCSI bus by using a multichannel host adapter or by using multiple host adapters.
SCSI Device	Any device that conforms to the SCSI standard and is attached to the SCSI bus by a SCSI cable. This includes SCSI host adapters, SCSI disk drives, SCSI CD-ROMS drives, and so on.
SCSI ID	An identifier that addresses specific devices on the SCSI bus and determines device selection when multiple devices contend for ownership of the SCSI bus. Wide SCSI buses support SCSI IDs 0 through 15, and narrow SCSI buses support SCSI IDs 0 through 7. A device gains ownership of the bus according to the priority of its SCSI ID. The order of priority, from highest to lowest, is: 7, 6, 5, 4, 3, 2, 1, 0, 15, 14, 13, 12, 11, 10, 9. The host adapter is usually set to the highest priority SCSI ID, which is SCSI ID 7.
Single-Ended SCSI	A hardware specification for connecting SCSI devices. It references each SCSI signal to a common ground. In contrast, differential SCSI uses a separate ground for each signal.

SureLINK	The domain validation method developed and used by LSI Logic. SureLINK provides three levels of integrity checking: Basic (level 1), Enhanced (level 2), and Margined (level 3).
Ultra SCSI	A standard for SCSI data transfers. It allows a transfer rate of up to 20 Mbytes/s over an 8-bit SCSI bus and up to 40 Mbytes/s over a 16-bit SCSI bus.
Ultra2 SCSI	A standard for SCSI data transfers. It allows a transfer rate of up to 40 Mbytes/s over an 8-bit SCSI bus, and up to 80 Mbytes/s over a 16-bit SCSI bus.
Ultra160 SCSI	A standard for SCSI data transfers. It allows a transfer rate of up to 160 Mbytes/s over a 16-bit SCSI bus.
Ultra320 SCSI	A standard for SCSI data transfers. It allows a transfer rate of up to 320 Mbytes/s over a 16-bit SCSI bus.
VHDCI	Very High Density Cable Interconnect. VHDCI cables are used to connect external SCSI devices to the host adapter.

Customer Feedback

We would appreciate your feedback on this document. Please copy the following page, add your comments, and fax it to us at the number shown.

If appropriate, please also fax copies of any marked-up pages from this document.

Important: Please include your name, phone number, fax number, and company address so that we may contact you directly for clarification or additional information.

Thank you for your help in improving the quality of our documents.

Reader's Comments

Fax your comments to: LSI Logic Corporation
Technical Publications
M/S AF-198
Fax: 408.433.4333

Please tell us how you rate this document: *Ultra320 SCSI to PCI-X Host Adapters User's Guide*. Place a check mark in the appropriate blank for each category.

	Excellent	Good	Average	Fair	Poor
Completeness of information	___	___	___	___	___
Clarity of information	___	___	___	___	___
Ease of finding information	___	___	___	___	___
Technical content	___	___	___	___	___
Usefulness of examples and illustrations	___	___	___	___	___
Overall manual	___	___	___	___	___

What could we do to improve this document?

If you found errors in this document, please specify the error and page number. If appropriate, please fax a marked-up copy of the page(s).

Please complete the information below so that we may contact you directly for clarification or additional information.

Name _____ Date _____
Telephone _____ Fax _____
Title _____
Department _____ Mail Stop _____
Company Name _____
Street _____
City, State, Zip _____

You can find a current list of our U.S. distributors, international distributors, and sales offices and design resource centers on our web site at

<http://www.lsilogic.com/contacts/index.html>



Artisan Technology Group is your source for quality new and certified-used/pre-owned equipment

- FAST SHIPPING AND DELIVERY
- TENS OF THOUSANDS OF IN-STOCK ITEMS
- EQUIPMENT DEMOS
- HUNDREDS OF MANUFACTURERS SUPPORTED
- LEASING/MONTHLY RENTALS
- ITAR CERTIFIED SECURE ASSET SOLUTIONS

SERVICE CENTER REPAIRS

Experienced engineers and technicians on staff at our full-service, in-house repair center

*InstraView*SM REMOTE INSPECTION

Remotely inspect equipment before purchasing with our interactive website at www.instraview.com ↗

WE BUY USED EQUIPMENT

Sell your excess, underutilized, and idle used equipment. We also offer credit for buy-backs and trade-ins. www.artisanng.com/WeBuyEquipment ↗

LOOKING FOR MORE INFORMATION?

Visit us on the web at www.artisanng.com ↗ for more information on price quotations, drivers, technical specifications, manuals, and documentation

Contact us: (888) 88-SOURCE | sales@artisanng.com | www.artisanng.com