



## Artisan Technology Group is your source for quality new and certified-used/pre-owned equipment

- FAST SHIPPING AND DELIVERY
- TENS OF THOUSANDS OF IN-STOCK ITEMS
- EQUIPMENT DEMOS
- HUNDREDS OF MANUFACTURERS SUPPORTED
- LEASING/MONTHLY RENTALS
- ITAR CERTIFIED SECURE ASSET SOLUTIONS

### SERVICE CENTER REPAIRS

Experienced engineers and technicians on staff at our full-service, in-house repair center

### *InstraView*<sup>SM</sup> REMOTE INSPECTION

Remotely inspect equipment before purchasing with our interactive website at [www.instraview.com](http://www.instraview.com) ↗

### WE BUY USED EQUIPMENT

Sell your excess, underutilized, and idle used equipment. We also offer credit for buy-backs and trade-ins. [www.artisanng.com/WeBuyEquipment](http://www.artisanng.com/WeBuyEquipment) ↗

### LOOKING FOR MORE INFORMATION?

Visit us on the web at [www.artisanng.com](http://www.artisanng.com) ↗ for more information on price quotations, drivers, technical specifications, manuals, and documentation

**Contact us:** (888) 88-SOURCE | [sales@artisanng.com](mailto:sales@artisanng.com) | [www.artisanng.com](http://www.artisanng.com)



# HITACHI

## **Application Note: Three-Wire Control (STA, STP, F/R) with L100 and SJ100 Series Inverters**

**Please refer also to the L100 or SJ100  
Inverter Instruction Manual**

**AN021003-1**

Rev. 1 11-14-03

**Hitachi America, Ltd.**

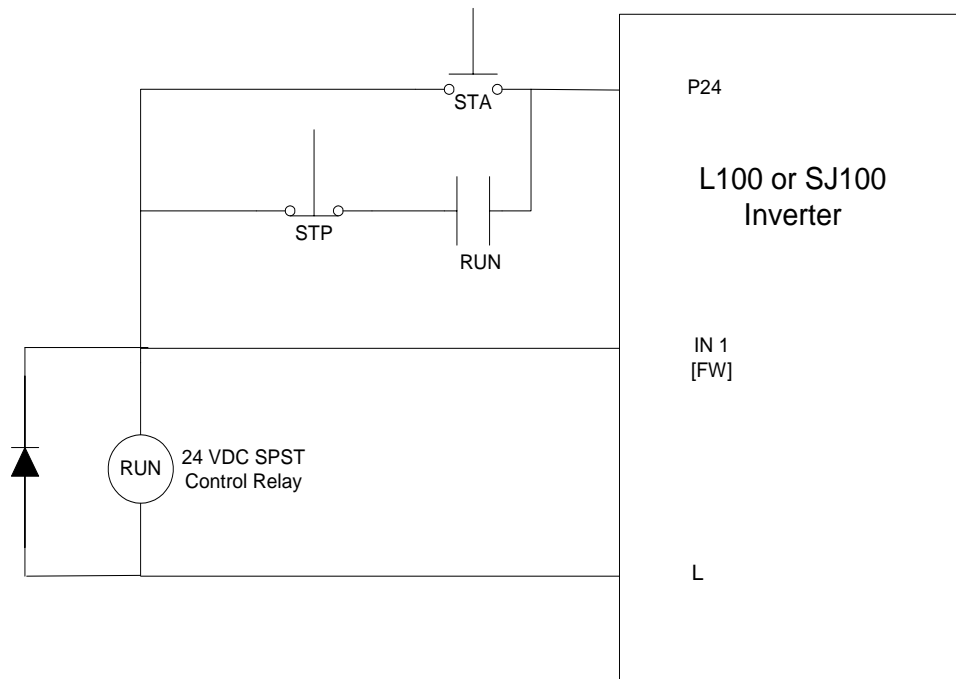
© 2003 Hitachi America, Ltd.

# Application Note for “Three-Wire Control” with Hitachi L100 & SJ100 Series Inverters

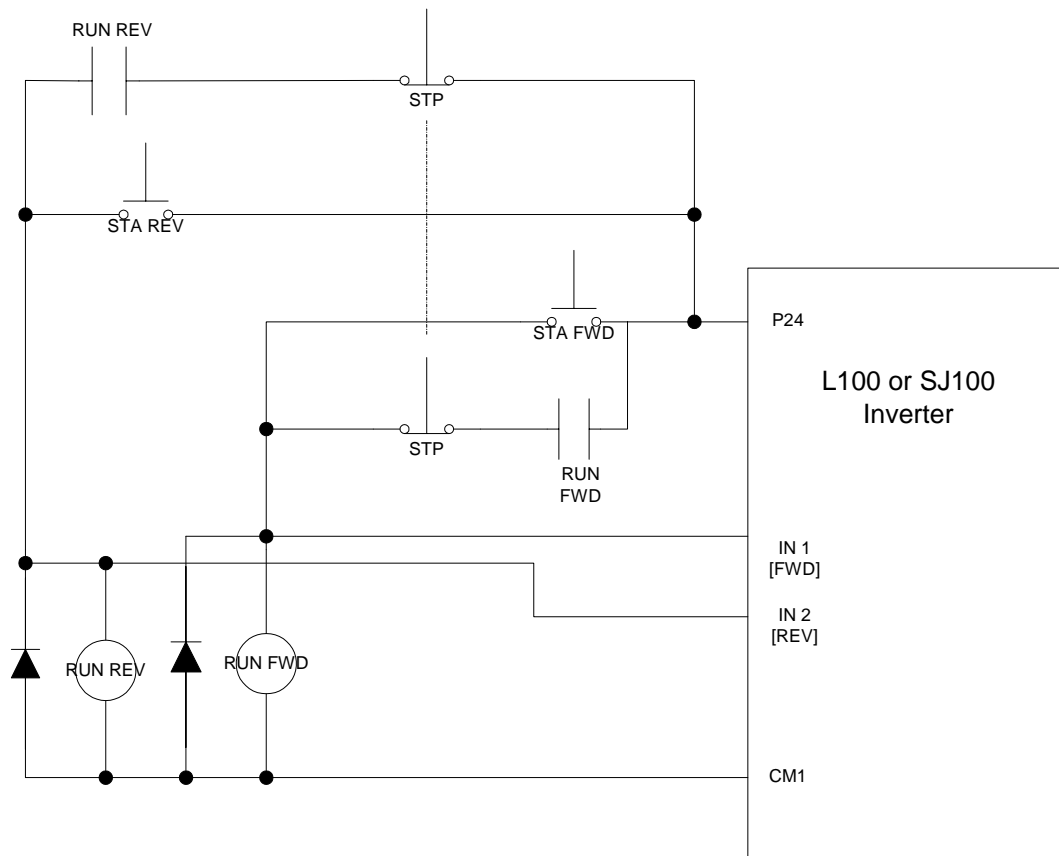
Sometimes it may be desirable to use a remote START/STOP pushbutton arrangement together with an inverter. This often occurs when a machine is being retrofitted or upgraded with the addition of a Hitachi inverter as a replacement for a motor starter. The pushbuttons that interfaced with the original motor starter would typically be a single-pole normally-open momentary pushbutton for the START button, and a single-pole normally-closed momentary pushbutton for the STOP button. Sometimes a switch may also be present for selecting the forward or reverse direction of rotation.

In the case of the L300P or SJ300 Series of inverters, a function is built-in to directly interface to a START/STOP pushbutton arrangement of this type without any additional hardware. Additionally, a FORWARD/REVERSE signal can be accommodated, hence the term “three-wire” control. The three signals are wired directly to three intelligent input terminals.

In the case of the L100 and SJ100, such a function is not built in. However the START/STOP functionality (without direction control, i.e. FWD only) can be accomplished simply with the addition of a single external control relay, using a circuit similar to that in the diagram below. This is a simple seal or latch circuit.



The above circuit does not include FWD/REV direction change functionality. If this is a requirement, a more elaborate arrangement is needed. Two relays would be necessary, and the STOP pushbutton would have to be DPST NC type, as shown in the example that follows on the next page.



In this circuit, pushing the STA FWD button would start the inverter in the forward direction, while pushing the STA REV button would start reverse operation. If it is desired to change rotation direction while running, the STOP button would have to be pushed first, then the desired run direction button. That is because the inverter will ignore a REV run command when a FWD run command is already present, and vice versa. Pushing the buttons in this sequence will cause the inverter will ramp the motor down to a stop, then ramp up in the opposite direction, according to its configuration settings.



## Artisan Technology Group is your source for quality new and certified-used/pre-owned equipment

- FAST SHIPPING AND DELIVERY
- TENS OF THOUSANDS OF IN-STOCK ITEMS
- EQUIPMENT DEMOS
- HUNDREDS OF MANUFACTURERS SUPPORTED
- LEASING/MONTHLY RENTALS
- ITAR CERTIFIED SECURE ASSET SOLUTIONS

### SERVICE CENTER REPAIRS

Experienced engineers and technicians on staff at our full-service, in-house repair center

### *InstraView*<sup>SM</sup> REMOTE INSPECTION

Remotely inspect equipment before purchasing with our interactive website at [www.instraview.com](http://www.instraview.com) ↗

### WE BUY USED EQUIPMENT

Sell your excess, underutilized, and idle used equipment. We also offer credit for buy-backs and trade-ins. [www.artisanng.com/WeBuyEquipment](http://www.artisanng.com/WeBuyEquipment) ↗

### LOOKING FOR MORE INFORMATION?

Visit us on the web at [www.artisanng.com](http://www.artisanng.com) ↗ for more information on price quotations, drivers, technical specifications, manuals, and documentation

**Contact us:** (888) 88-SOURCE | [sales@artisanng.com](mailto:sales@artisanng.com) | [www.artisanng.com](http://www.artisanng.com)