



Artisan Technology Group is your source for quality new and certified-used/pre-owned equipment

- FAST SHIPPING AND DELIVERY
- TENS OF THOUSANDS OF IN-STOCK ITEMS
- EQUIPMENT DEMOS
- HUNDREDS OF MANUFACTURERS SUPPORTED
- LEASING/MONTHLY RENTALS
- ITAR CERTIFIED SECURE ASSET SOLUTIONS

SERVICE CENTER REPAIRS

Experienced engineers and technicians on staff at our full-service, in-house repair center

*InstraView*SM REMOTE INSPECTION

Remotely inspect equipment before purchasing with our interactive website at www.instraview.com ↗

WE BUY USED EQUIPMENT

Sell your excess, underutilized, and idle used equipment. We also offer credit for buy-backs and trade-ins. www.artisanng.com/WeBuyEquipment ↗

LOOKING FOR MORE INFORMATION?

Visit us on the web at www.artisanng.com ↗ for more information on price quotations, drivers, technical specifications, manuals, and documentation

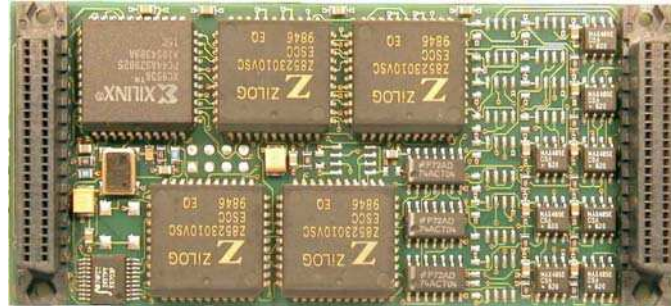
Contact us: (888) 88-SOURCE | sales@artisanng.com | www.artisanng.com

IP-OCTALPLUS485

8 Channels of Serial RS485 Interface

Features

- Interface according to IndustryPack specification
- Identification-PROM supports auto-configuration
- Single Size IndustryPack
- 8 channels RS485 serial interface
- Support of Dx+ , Dx- and GND per channel
- Programmable baud rates to 2Mbps
- ESD protected RS485 interface (up to +/- 15KV to IEC1000-4-2)

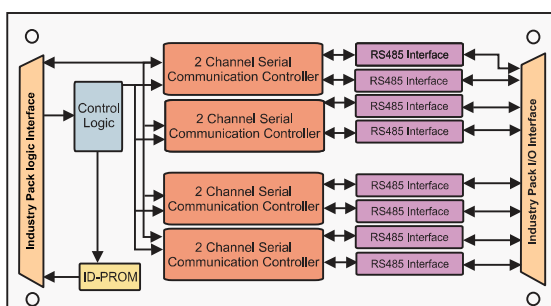


IP-OCTALPLUS485

IP-OCTALPLUS485 is an IndustryPack® compatible module providing eight channels of high performance RS485 serial interface. Each channel has a 4 byte transmit FIFO and an 8-byte receive FIFO to significantly reduce the overhead required to provide data to and get data from the transmitters and receivers.

The IP-OCTALPLUS485 supports Dx+ , Dx- and GND for each of the eight RS485 channels. The baud rate is individually programmable up to 2Mb/s. The IP-OCTALPLUS485 uses ESD protected transceivers (up to +/-15KV according to IEC 1000-4-2).

All transition modules of the XM-OCTAL series are well suited for use with the IP-OCTALPLUS485.



Specifications

Form Factor	Singlewide IndustryPack
Logic Interface	IndustryPack® Logic Interface
Interface	50-conductor flat cable
Environmental	Humidity: 5% to 95% non-condensing Storage: -45° to + 125°C

Ordering Information

IP-OCTALPLUS485	8 channel RS485 interface
XM-OCTAL-6U-D	Transition module provides 8 DB-25 connectors in front panel
XM-OCTAL-6U-RJ8	Transition module provides 8 RJ45 connectors in front panel
XM-OCTAL6URJ16	Transition module provides sixteen 4-pin RJ connectors in front panel
TCD642867	Software support for VxWorks operating system

Corporate Headquarters
2400 Louisiana Blvd. NE, #5-600
Albuquerque, NM 87110-4316
Tel 505.875.0600 Fax 505.875.0400
Email info@sbs.com

European Headquarters
Memminger Str. 14
D-86159 Augsburg, Germany
Tel + 49-821-5034-0 Fax + 49-821-5034-119
Email sales@sbs-europe.com

Specifications subject to change without notice. All trademarks and logos are property of their respective owners.
©2004 SBS Technologies, Inc. 20040617

For additional contact information, please visit our web site at www.sbs.com





Artisan Technology Group is your source for quality new and certified-used/pre-owned equipment

- FAST SHIPPING AND DELIVERY
- TENS OF THOUSANDS OF IN-STOCK ITEMS
- EQUIPMENT DEMOS
- HUNDREDS OF MANUFACTURERS SUPPORTED
- LEASING/MONTHLY RENTALS
- ITAR CERTIFIED SECURE ASSET SOLUTIONS

SERVICE CENTER REPAIRS

Experienced engineers and technicians on staff at our full-service, in-house repair center

*InstraView*SM REMOTE INSPECTION

Remotely inspect equipment before purchasing with our interactive website at www.instraview.com ↗

WE BUY USED EQUIPMENT

Sell your excess, underutilized, and idle used equipment. We also offer credit for buy-backs and trade-ins. www.artisanng.com/WeBuyEquipment ↗

LOOKING FOR MORE INFORMATION?

Visit us on the web at www.artisanng.com ↗ for more information on price quotations, drivers, technical specifications, manuals, and documentation

Contact us: (888) 88-SOURCE | sales@artisanng.com | www.artisanng.com