



## Artisan Technology Group is your source for quality new and certified-used/pre-owned equipment

- FAST SHIPPING AND DELIVERY
- TENS OF THOUSANDS OF IN-STOCK ITEMS
- EQUIPMENT DEMOS
- HUNDREDS OF MANUFACTURERS SUPPORTED
- LEASING/MONTHLY RENTALS
- ITAR CERTIFIED SECURE ASSET SOLUTIONS

### SERVICE CENTER REPAIRS

Experienced engineers and technicians on staff at our full-service, in-house repair center

### *InstraView*<sup>SM</sup> REMOTE INSPECTION

Remotely inspect equipment before purchasing with our interactive website at [www.instraview.com](http://www.instraview.com) ↗

### WE BUY USED EQUIPMENT

Sell your excess, underutilized, and idle used equipment. We also offer credit for buy-backs and trade-ins. [www.artisanng.com/WeBuyEquipment](http://www.artisanng.com/WeBuyEquipment) ↗

### LOOKING FOR MORE INFORMATION?

Visit us on the web at [www.artisanng.com](http://www.artisanng.com) ↗ for more information on price quotations, drivers, technical specifications, manuals, and documentation

**Contact us:** (888) 88-SOURCE | [sales@artisanng.com](mailto:sales@artisanng.com) | [www.artisanng.com](http://www.artisanng.com)

## TVME210 VMEbus Carrier for 2 IndustryPacks®



TVME210-10R



TVME210-11R

### Application Information

The TVME210 is a 3U VMEbus Carrier for up to two single-size or one double-size IndustryPack (IP) modules allowing to build up modular, flexible and cost effective I/O solutions for all kinds of applications like process control, medical systems, telecommunication and traffic control.

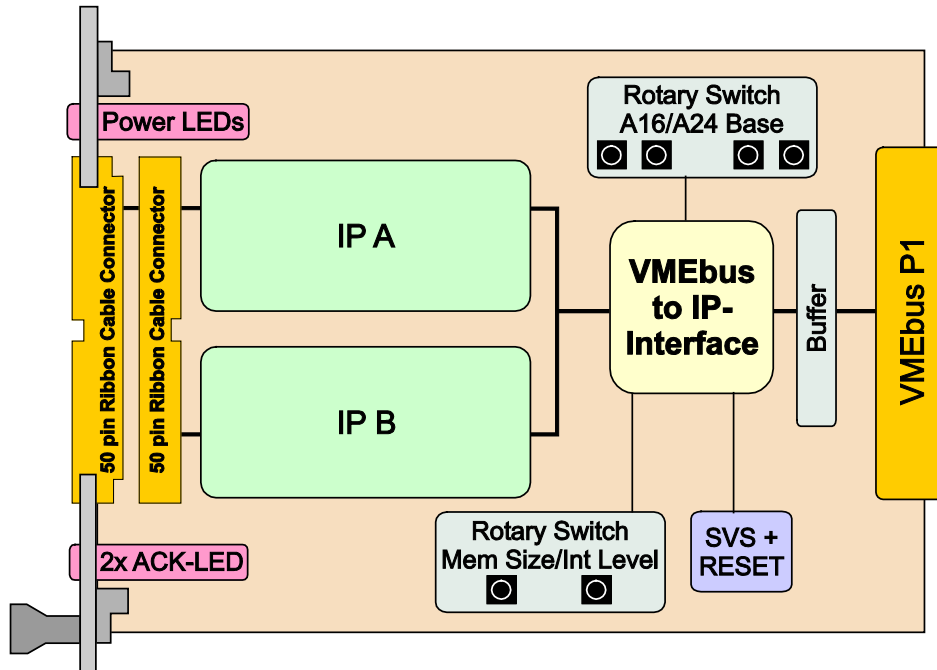
Two 50 pin 0.1 inch flat ribbon cable connectors mounted in the front panel of the TVME210 provide access to all IP I/O lines. Status indicators for IP access, +5V and +/-12V are provided.

A set of 16-position rotary switches allows easy configuration of VME Short I/O and Memory addresses. Interrupt routing from the IP slots to the VME IRQ's can be done in two ways: programmable by software or selection of predefined sets by a rotary switch.

The IP power lines are fuse protected by self healing fuses and RF filtered. The operating temperature range is -40°C and +85°C.

### Technical Information

- Form Factor: VMEbus board, 3U
- VMEbus Slave Interface:
  - Short I/O: A16, D08/16, size: 512 bytes
  - Standard Memory: A24, D08/16
  - Size: programmable, 32 Kbytes to 4 Mbytes per IP or 2 Mbytes to 8 Mbytes for one IP
  - Interrupts: IRQ1-7
- ANSI/VITA 4-1995 compliant interface to IndustryPack modules
  - IndustryPack slots: Two single-size or one double-size with front panel I/O
  - 8 MHz interface, no DMA
  - Routing of IP Interrupt Levels to VME IRQ1-7: programmable by software or selection of predefined sets by a rotary switch
  - I/O access: 50 pin 0.1 inch flat ribbon cable connector (1x90°, 1x180°) per IP mounted in front panel
- Status LED's
  - ACK LED for each IP module
  - +5V Power LED for each IP slot
  - +12V and -12V Power LED
- Self Healing fuses and RF-filtering on all IP power lines
- Operating Temperature -40°C to +85°C



## Order Information

### RoHS Compliant

**TVME210-10R** 3U 2 Slot IndustryPack Carrier, 50pin ribbon cable connectors  
**TVME210-11R** 6U 2 Slot IndustryPack Carrier, 50pin ribbon cable connectors

For the availability of non-RoHS compliant (lead solder) products please contact TEWS.

### Documentation

**TVME210-DOC** User Manual

### Software

**CARRIER-SW-25** Integrity Software Support  
**CARRIER-SW-42** VxWorks Software Support (Legacy and VxBus-enabled Software Support)  
**CARRIER-SW-72** LynxOS IP Carrier Software Support  
**CARRIER-SW-82** Linux IP Carrier Software Support  
**CARRIER-SW-95** QNX IP Carrier Software Support

For other operating systems please contact TEWS.

### Related Products

**TA305** Cable Kit for Modules with 50 pin ribbon cable connector



## Artisan Technology Group is your source for quality new and certified-used/pre-owned equipment

- FAST SHIPPING AND DELIVERY
- TENS OF THOUSANDS OF IN-STOCK ITEMS
- EQUIPMENT DEMOS
- HUNDREDS OF MANUFACTURERS SUPPORTED
- LEASING/MONTHLY RENTALS
- ITAR CERTIFIED SECURE ASSET SOLUTIONS

### SERVICE CENTER REPAIRS

Experienced engineers and technicians on staff at our full-service, in-house repair center

### *InstraView*<sup>SM</sup> REMOTE INSPECTION

Remotely inspect equipment before purchasing with our interactive website at [www.instraview.com](http://www.instraview.com) ↗

### WE BUY USED EQUIPMENT

Sell your excess, underutilized, and idle used equipment. We also offer credit for buy-backs and trade-ins. [www.artisanng.com/WeBuyEquipment](http://www.artisanng.com/WeBuyEquipment) ↗

### LOOKING FOR MORE INFORMATION?

Visit us on the web at [www.artisanng.com](http://www.artisanng.com) ↗ for more information on price quotations, drivers, technical specifications, manuals, and documentation

**Contact us:** (888) 88-SOURCE | [sales@artisanng.com](mailto:sales@artisanng.com) | [www.artisanng.com](http://www.artisanng.com)