



Artisan Technology Group is your source for quality new and certified-used/pre-owned equipment

- FAST SHIPPING AND DELIVERY
- TENS OF THOUSANDS OF IN-STOCK ITEMS
- EQUIPMENT DEMOS
- HUNDREDS OF MANUFACTURERS SUPPORTED
- LEASING/MONTHLY RENTALS
- ITAR CERTIFIED SECURE ASSET SOLUTIONS

SERVICE CENTER REPAIRS

Experienced engineers and technicians on staff at our full-service, in-house repair center

*InstraView*SM REMOTE INSPECTION

Remotely inspect equipment before purchasing with our interactive website at www.instraview.com ↗

WE BUY USED EQUIPMENT

Sell your excess, underutilized, and idle used equipment. We also offer credit for buy-backs and trade-ins. www.artisanng.com/WeBuyEquipment ↗

LOOKING FOR MORE INFORMATION?

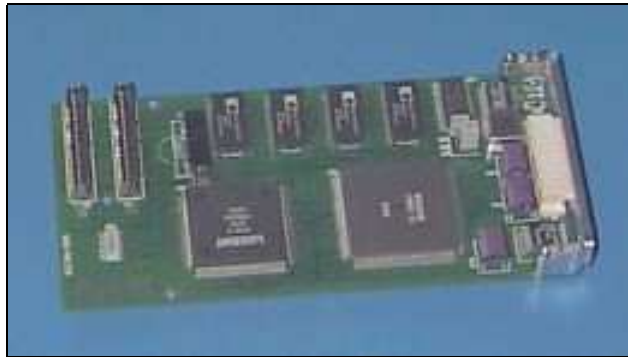
Visit us on the web at www.artisanng.com ↗ for more information on price quotations, drivers, technical specifications, manuals, and documentation

Contact us: (888) 88-SOURCE | sales@artisanng.com | www.artisanng.com

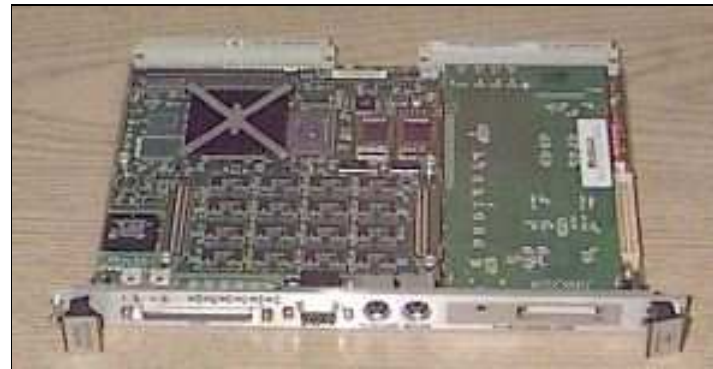
M2M-PMC32C

32-bit, 33MHz, Myrinet-SAN/PCI interface in the PMC form factor

Many single-board Computers (SBCs) accept PCI devices in a standard form factor called "PMC" -- the PCI Mezzanine Card (IEEE P1386.1).



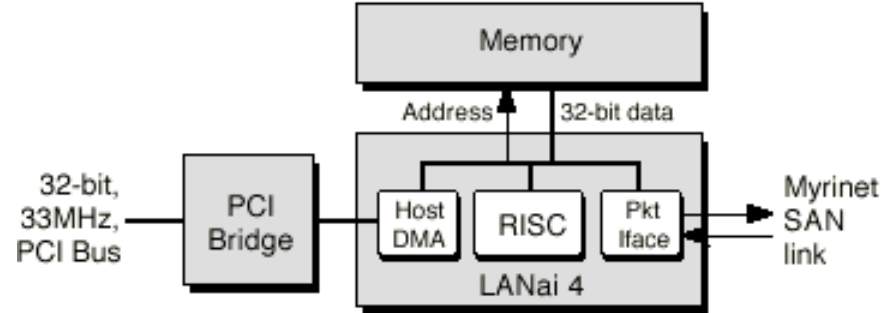
M2M-PMC32C, Myrinet-SAN/PCI interface in the PCI Mezzanine Card (PMC) form factor



M2M-PMC32 interface on a Motorola MVME1603e SBC.

The Myrinet-SAN-port end of the PMC interface fits into the VME front panel.

This PMC Myrinet-SAN/PCI interfaces is functionally identical to the [M2M-PCI32C](#) PCI-short-card version except that it adheres to the (single-width) PMC form factor. The small, very flexible, [Myrinet-SAN cables](#) that plug into Myrinet-SAN ports are ideal for in-chassis connections on the front-panel side of VME systems. 6U VME SBCs can be clustered using a [6U-VME-form-factor Myrinet-SAN switch](#).



Block diagram of the M2M-PMC32B&C

Specifications

PCI-bus Interface: 32-bit, 33MHz, supports all burst modes and write-invalidate, master or slave. Sustained DMA performance at 33MHz with large blocks exceeds 120 MB/s peer mode, or to/from system memory on [platforms with good PCI implementations](#).

Interface processor: LANai-4 RISC operating at the PCI-clock rate.

Interface memory: 1MB (256Kx4B). The interface memory operates at double the PCI-clock rate. With a 33MHz PCI clock, 264 MB/s of memory bandwidth is available to support the Myrinet link, the host DMA, and the RISC processor.

Myrinet-SAN port: 1.28+1.28 Gb/s on the A link; B link unused.

Physical characteristics: PCI Mezzanine Card; ~4 Watts.

Myricom-supported software: Both GM and MyriAPI software, which can be downloaded from the [Software & Customer Support page](#).



Last updated: 1 July 1999



Artisan Technology Group is your source for quality new and certified-used/pre-owned equipment

- FAST SHIPPING AND DELIVERY
- TENS OF THOUSANDS OF IN-STOCK ITEMS
- EQUIPMENT DEMOS
- HUNDREDS OF MANUFACTURERS SUPPORTED
- LEASING/MONTHLY RENTALS
- ITAR CERTIFIED SECURE ASSET SOLUTIONS

SERVICE CENTER REPAIRS

Experienced engineers and technicians on staff at our full-service, in-house repair center

*InstraView*SM REMOTE INSPECTION

Remotely inspect equipment before purchasing with our interactive website at www.instraview.com ↗

WE BUY USED EQUIPMENT

Sell your excess, underutilized, and idle used equipment. We also offer credit for buy-backs and trade-ins. www.artisanng.com/WeBuyEquipment ↗

LOOKING FOR MORE INFORMATION?

Visit us on the web at www.artisanng.com ↗ for more information on price quotations, drivers, technical specifications, manuals, and documentation

Contact us: (888) 88-SOURCE | sales@artisanng.com | www.artisanng.com