



Artisan Technology Group is your source for quality new and certified-used/pre-owned equipment

- FAST SHIPPING AND DELIVERY
- TENS OF THOUSANDS OF IN-STOCK ITEMS
- EQUIPMENT DEMOS
- HUNDREDS OF MANUFACTURERS SUPPORTED
- LEASING/MONTHLY RENTALS
- ITAR CERTIFIED SECURE ASSET SOLUTIONS

SERVICE CENTER REPAIRS

Experienced engineers and technicians on staff at our full-service, in-house repair center

*InstraView*SM REMOTE INSPECTION

Remotely inspect equipment before purchasing with our interactive website at www.instraview.com ↗

WE BUY USED EQUIPMENT

Sell your excess, underutilized, and idle used equipment. We also offer credit for buy-backs and trade-ins. www.artisanng.com/WeBuyEquipment ↗

LOOKING FOR MORE INFORMATION?

Visit us on the web at www.artisanng.com ↗ for more information on price quotations, drivers, technical specifications, manuals, and documentation

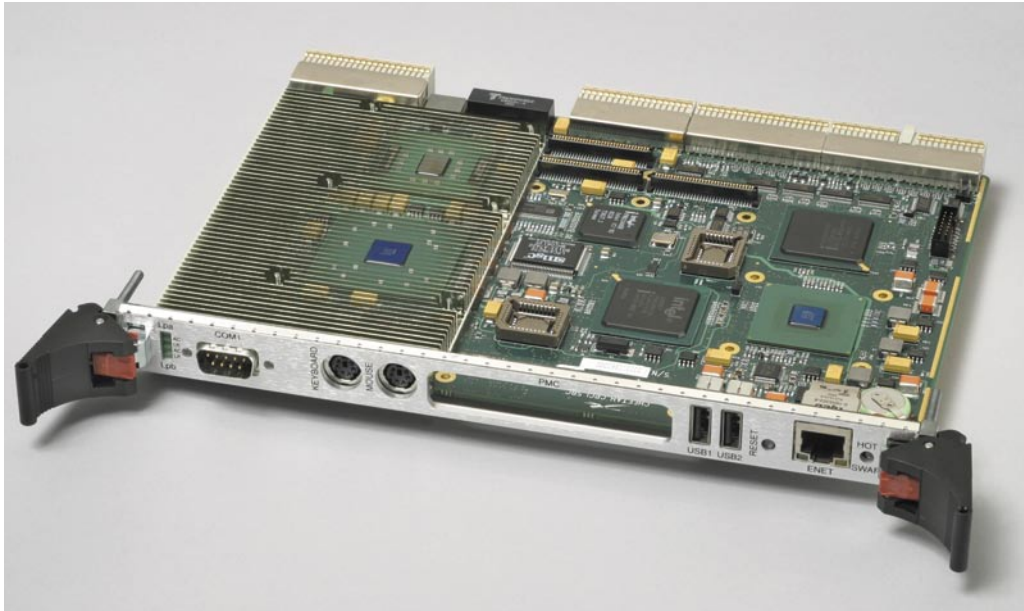
Contact us: (888) 88-SOURCE | sales@artisanng.com | www.artisanng.com

Cheetah-C

CompactPCI Pentium® M Single Board Computer



momentum
COMPUTER



**High Performance
Pentium M processor,
Gigabit Ethernet via
PICMG 2.16**

FEATURE SET:

- Intel Pentium M Processor running at 1.1 GHz or 1.6 GHz core frequency and 400 MHz Processor System Bus frequency.
- Single slot 6U CompactPCI board.
- Operates in a CompactPCI system slot.
- Backplane I/O pin-out compatible with Momentum Computer LC I/O RTM board.
- Transparent PCI to PCI bridge interfaces to 32-bit or 64-bit CompactPCI bus operating at 33 MHz or 66 MHz (PICMG 2.0 R3.0).
- Hot Swappable (PICMG 2.1 R2.0).
- Windows® 2000/XP, Linux, VxWorks, Solaris and other Operating Systems.
- 0-55°C operating temperature (ambient).

MEMORY AND STORAGE:

- Up to 2 Gbyte of DDR SDRAM with ECC at 3.2 Gbyte/s peak bandwidth.
- 1 Mbyte Firmware Hub.
- Battery backed Real Time Clock.

The Momentum Computer Cheetah-C is an Intel Pentium® M processor based CompactPCI Single Board Computer, in a 6U form factor, operating at 1.1 or 1.6 GHz.

The board incorporates the Intel E7501 memory controller that supports a 400 MHz processor bus and dual channel 200 MHz DDR SDRAM with ECC.

Two 10/100/1000Base-T Ethernet ports are routed to the backplane J3 connector as PICMG 2.16 nodes. Two IPMB interfaces are also provided on the backplane J1 and J2 connectors for PICMG 2.9 compliance.

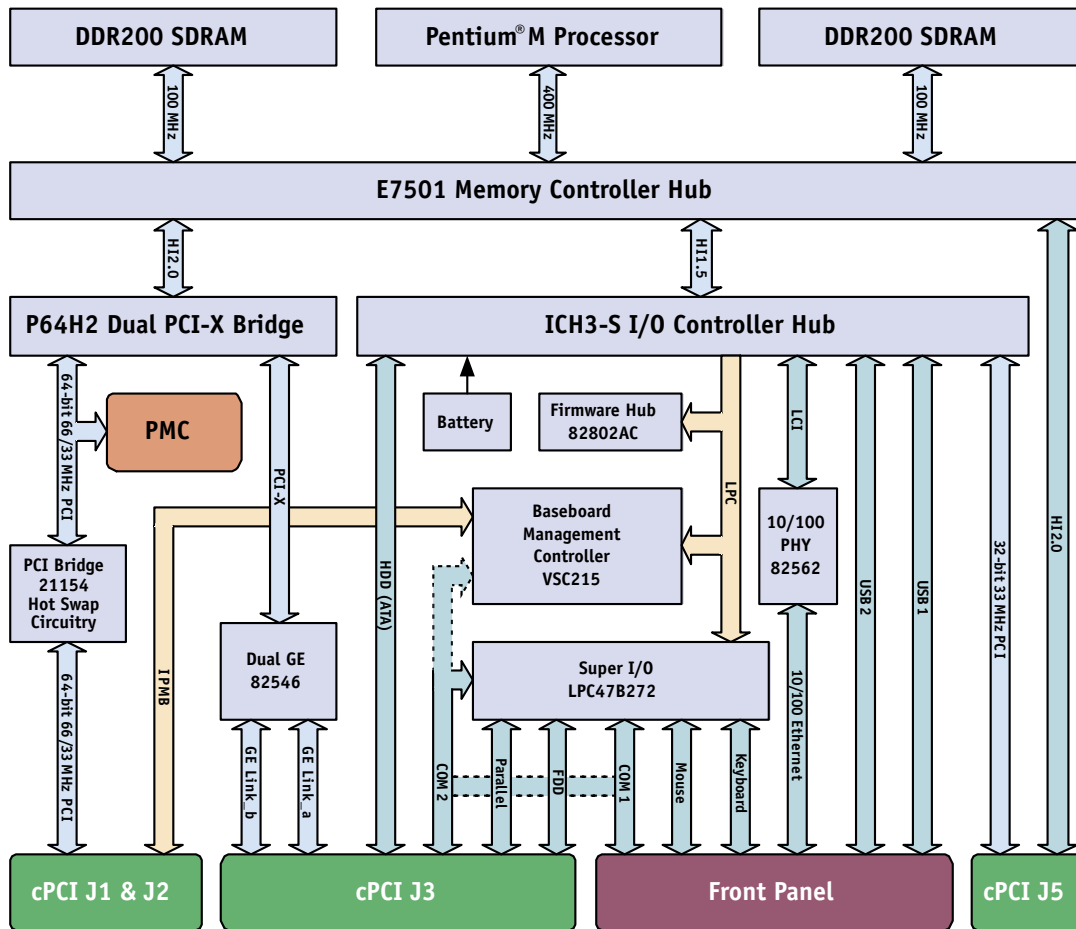
The Cheetah-C provides a wide range of I/O and storage interfaces through front panel and backplane J3 connector. A 64-bit 66/33 MHz PMC site is included for onboard I/O expansion. A 16-bit 1.066 Gbyte/s Hub 2.0 and 32-bit, 33 MHz PCI interfaces are also included on the backplane J5 connector for rear I/O expansion.

VERSATILE I/O:

- One 64-bit 66/33 MHz PMC site (IEEE P1386/P1386.1).
- 16-bit 1.066 Gbyte/s Hub 2.0 interface on backplane J5 for high speed rear I/O expansion.
- ATA, FDD and Parallel Port on backplane J3.
- 32-bit 33 MHz PCI interface on backplane J5 for I/O expansion.
- Two 10/100/1000Base-T Ethernet links through backplane J3 (PICMG 2.16).
- Two serial ports: one on backplane J3 and one on the front panel.
- One 10/100Base-Tx Ethernet port on the front panel.
- Two IPMB interfaces on backplane J1 and J2 (PICMG 2.9).
- Two USB ports on the front panel.
- PS2 Keyboard and Mouse interfaces on the Front panel.

Cheetah-C

CompactPCI Pentium® M Single Board Computer



If Cheetah-C doesn't fit your specific requirements:
Momentum Computer specializes in quick turn custom development and production of high performance processor boards and I/O boards.
Custom designs give you a competitive edge by providing the unique features needed for a leading market position.
Custom designs by Momentum Computer are accomplished so rapidly that time-to-market targets can be met with confidence.

We're ready to work for you.



Momentum Computer, Inc.

1815 Aston Avenue, Suite 107, Carlsbad, CA 92008-7310

Tel: 760.431.8663 • Fax: 760.431.7571 • e-mail: info@momenco.com

www.momentum-computer.com



Artisan Technology Group is your source for quality new and certified-used/pre-owned equipment

- FAST SHIPPING AND DELIVERY
- TENS OF THOUSANDS OF IN-STOCK ITEMS
- EQUIPMENT DEMOS
- HUNDREDS OF MANUFACTURERS SUPPORTED
- LEASING/MONTHLY RENTALS
- ITAR CERTIFIED SECURE ASSET SOLUTIONS

SERVICE CENTER REPAIRS

Experienced engineers and technicians on staff at our full-service, in-house repair center

*InstraView*SM REMOTE INSPECTION

Remotely inspect equipment before purchasing with our interactive website at www.instraview.com ↗

WE BUY USED EQUIPMENT

Sell your excess, underutilized, and idle used equipment. We also offer credit for buy-backs and trade-ins. www.artisanng.com/WeBuyEquipment ↗

LOOKING FOR MORE INFORMATION?

Visit us on the web at www.artisanng.com ↗ for more information on price quotations, drivers, technical specifications, manuals, and documentation

Contact us: (888) 88-SOURCE | sales@artisanng.com | www.artisanng.com