



Artisan Technology Group is your source for quality new and certified-used/pre-owned equipment

- FAST SHIPPING AND DELIVERY
- TENS OF THOUSANDS OF IN-STOCK ITEMS
- EQUIPMENT DEMOS
- HUNDREDS OF MANUFACTURERS SUPPORTED
- LEASING/MONTHLY RENTALS
- ITAR CERTIFIED SECURE ASSET SOLUTIONS

SERVICE CENTER REPAIRS

Experienced engineers and technicians on staff at our full-service, in-house repair center

*InstraView*SM REMOTE INSPECTION

Remotely inspect equipment before purchasing with our interactive website at www.instraview.com ↗

WE BUY USED EQUIPMENT

Sell your excess, underutilized, and idle used equipment. We also offer credit for buy-backs and trade-ins. www.artisanng.com/WeBuyEquipment ↗

LOOKING FOR MORE INFORMATION?

Visit us on the web at www.artisanng.com ↗ for more information on price quotations, drivers, technical specifications, manuals, and documentation

Contact us: (888) 88-SOURCE | sales@artisanng.com | www.artisanng.com

Barnstead Fistreem III

Glass Still

OWNER'S MANUAL

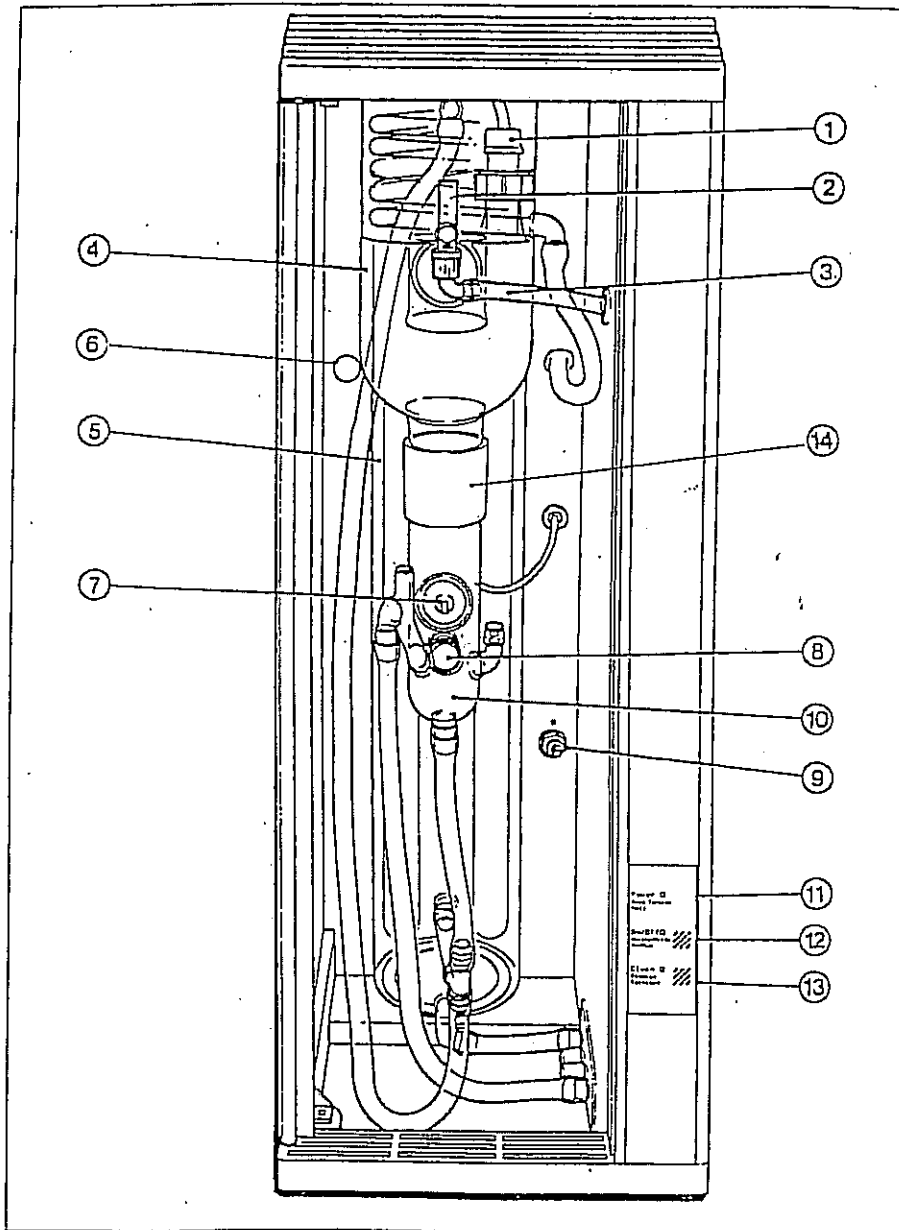
4 liter per hour single distiller

A56210-857 and A56218-857

INSTRUCTION MANUAL, PART No. LT857X1
September 1999

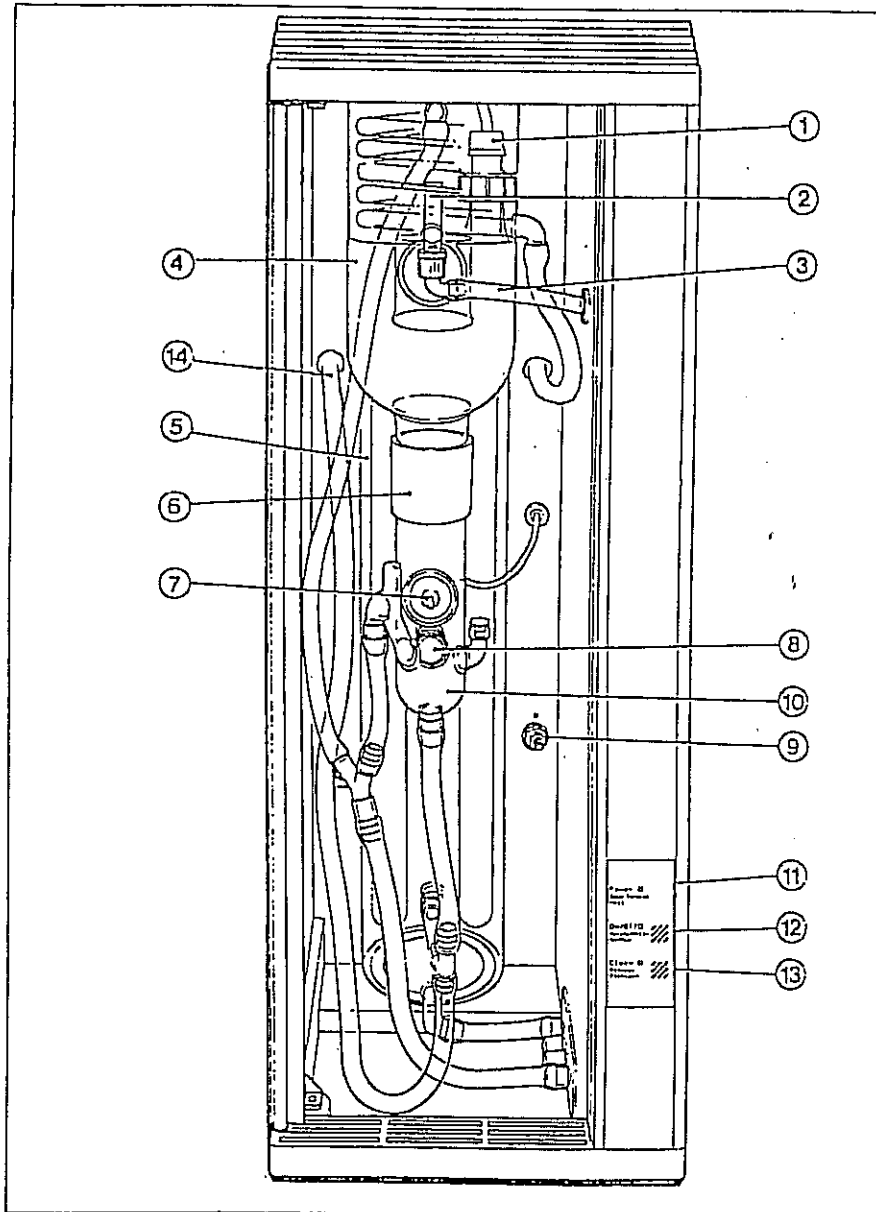
Barnstead
Barnstead Thermolyne Corporation

FIGURE 1 TAP FEED MODEL A56210-857 & A56218-857



Item	Description	Item	Description
1	Heating element	9	Thermal cut-out reset button
2	Condenser CO ₂ bleed	10	Constant level device
3	Distillate tube	11	"Power On" lamp
4	Condenser	12	"On/off" membrane switch
5	Boiler	13	"Clean" membrane switch
6	Blanking plug	14	Support tubing
7	Thermistor		
8	Thermal cut-out		

FIGURE 2. PRE-TREATED FEED MODEL



Item	Description	Item	Description
1	Heating element	9	Thermal cut-out reset button
2	Condenser CO ₂ bleed	10	Constant level device
3	Distillate tube	11	"Power On" lamp
4	Condenser	12	"On/off" membrane switch
5	Boiler	13	"Clean" membrane switch
6	Support tubing	14	Pre-treated feed input tube
7	Thermistor		
8	Thermal cut-out		

FISTREAM III

4 LITER SINGLE DISTILLER TAP & PRE-TREATED FEED

September 1999
Instruction manual part No. LT857X1

MANUAL CONTENTS

	page
Warranty and Service Information	4
Safety Information	5
Warnings, Cautions, Notes	6
Description	7
Care of Product	7
Glassware Safety	8
Electrical Safety	8
Pre-Installation	9-10
Unpacking	10
Installation	
Door removal	11
Fixing	11
Water supply connection	11
Drain connection	12
Distillate outlet pipe fitting	12
Drip tray	12
Fitting heaters	13-14
Electrical connection	15
Reservoir connection	15
Thermal cut-out	16
Thermistor	16
Electrical controls	17-18
Operation	
Tap feed model	19-20
Pre-treated feed model	21-23
Cleaning	24-26
Converting for pre-treated feed	27-28
Flow schematics	29-30
Troubleshooting guide	31
Electrical schematic	32
Technical characteristics	33
Replacement parts	34

NEW EQUIPMENT WARRANTY

Barnstead/Thermolyne warrants all equipment supplied by it which is of its manufacture to be free from defects in material and workmanship eighteen months from original shipment or twelve months from installation, whichever occurs first. Unless otherwise specified, service labor required to repair or replace shall be provided by Barnstead/Thermolyne or its authorized Agents or Distributors for a period of ninety (90) days from the start of the warranty period. Defective parts shall be replaced for the full warranty year; however, labor to repair or replace such parts shall be at the Purchaser's expense after the first 90 days. This policy is limited to the Continental United States and Canada.

This warranty shall not apply if equipment has been damaged in transit or has been improperly used or maintained. Although Barnstead/Thermolyne does not warrant any equipment which has been manufactured by others, it will assist purchaser to assert guarantees or warranties furnished to Barnstead/Thermolyne by such other manufacturers.

There are no other guarantees or warranties or implied. Barnstead/Thermolyne shall under no circumstances be liable for special, indirect or consequential damages, nor for losses and expenses arising from installation or use, regardless of the advice or recommendations that may have been rendered concerning installation or use of the product.

All parts listed herein may be ordered from the Barnstead/Thermolyne dealer from whom this unit was purchased or can be obtained promptly from the factory. When service or replacement parts are needed, we ask that you check first with your dealer, if he cannot handle your request, then contact our Customer Service Department - (319) 556-2241 or (800) 553-0039.

Prior to returning any materials to Barnstead/Thermolyne Corp., please contact our Customer Service Department for a "Return Goods Authorization" number (RGA). Material returned without a RGA number will be refused.

If you are in any doubt whatsoever regarding the correct use of this apparatus or if you require any technical data or assistance please contact the Customer Technical Services Department at:

Barnstead/Thermolyne
2555 Kerper Boulevard
Dubuque IA 52001
IOWA

Telephone: 1-800-446-6060
319-556-2241
Fax: 319-556-0695
Telex: 284 767 Thermur

ELECTRICITY SUPPLIES

Voltage and frequency

Electrical apparatus supplied by Barnstead/Thermolyne is offered and labelled for one, or for a choice of two or more voltage ranges and, where necessary, frequencies of mains electricity supplies.

Barnstead/Thermolyne does not accept any responsibility for the operation of any such apparatus should it be connected to electricity supplies which are nominally outside or vary outside the stated voltage and frequency values for which it is designed, nor for any consequential loss, damage or injury howsoever caused.

IMPORTANT

WATER PURIFICATION TECHNOLOGY EMPLOYS ONE OR MORE OF THE FOLLOWING: CHEMICALS, ELECTRICAL DEVICES, MERCURY VAPOR LAMPS, STEAM AND HEATED VESSELS. CARE SHOULD BE TAKEN WHEN INSTALLING, OPERATING OR SERVICING BARNSTEAD PRODUCTS. LISTED BELOW ARE THE SPECIFIC SAFETY NOTES PERTINENT TO THE BARNSTEAD GLASS STILL.

WARNING

THIS DEVICE IS TO BE USED ONLY WITH WATER FEEDS AND SPECIFIC SANITIZING CHEMICALS DETERMINED BY BARNSTEAD/THERMOLYNE. SANITIZING/CLEANING AGENTS MUST BE USED IN COMPLIANCE WITH INSTRUCTIONS IN THIS MANUAL. FAILURE TO COMPLY WITH THE ABOVE COULD RESULT IN EXPLOSION AND PERSONAL INJURY.

WARNING

ENSURE THAT THE GLASS STILL IS CONNECTED TO ELECTRICAL SERVICE ACCORDING TO LOCAL AND NATIONAL ELECTRICAL CODES. FAILURE TO PROPERLY CONNECT MAY CREATE A FIRE OR SHOCK HAZARD.

WARNING

DO NOT MOUNT THE GLASS STILL DIRECTLY OVER EQUIPMENT THAT REQUIRES ELECTRICAL SERVICE. ROUTINE MAINTENANCE OF THIS EQUIPMENT MAY INVOLVE WATER SPILLAGE AND SUBSEQUENT ELECTRICAL SHOCK HAZARD IF IMPROPERLY LOCATED.

WARNING

TO PREVENT ELECTRICAL SHOCK, DISCONNECT THE ELECTRICAL POWER TO THE GLASS STILL AND TO ANY OTHER EQUIPMENT BEING SERVICED BY THE STILL.

WARNING

MAKE SURE THAT THE DOOR IS CORRECTLY LOCATED. FAILURE TO PROPERLY ENGAGE THE DOOR WILL CREATE AN UNSAFE INSTALLATION THAT MAY CAUSE EQUIPMENT DAMAGE OR PERSONAL INJURY.

WARNING

FOR CONTINUED PROTECTION AGAINST POSSIBLE FIRE HAZARD, REPLACE FUSES ONLY WITH THE SAME TYPE AND RATING OF FUSE.

WARNING

- * AVOID SPLASHING (CLEANING) (SANITIZING) SOLUTIONS ON CLOTHING OR SKIN
- * ENSURE ALL PIPING CONNECTIONS ARE TIGHT TO AVOID LEAKAGE OF CHEMICALS.
- * ALWAYS DEPRESSURIZE CHEMICAL LINES BEFORE DISASSEMBLY.
- * ENSURE ADEQUATE VENTILATION.
- * FOLLOWING CAREFULLY THE MANUFACTURER'S SAFETY INSTRUCTIONS ON LABELS OF CHEMICAL CONTAINERS

WARNING: **APPLIES WHEN THERE IS A POSSIBILITY OF PERSONAL INJURY.**

CAUTION: **Applies when there is a possibility of damage to the equipment**

NOTE: **Alerts the user of the manual to pertinent facts and conditions.**

DESCRIPTION

The Fistream III Glass Still is an automatic water Still providing high grade pyrogen free distilled water. Its unique cyclonic effect condenser vapor trap eliminates any vapor borne droplets in the distillate, ensuring distilled water of the very highest quality.

Fistream III, produces 4 liters per hour single distilled water.

These instructions describe the installation and operation of the tap feed versions and instructions on how to convert to a pre-treated feed version, if required. For users wishing to supply the Still with pre-treated water (reverse osmosis, deionized, etc) see section dealing with the pre-treated feed version.

The Still is designed to be used on water pressures between 10 and 80 psig (70-560kPa). In order to provide an optimum flow through the condensers and to avoid water wastage, the Still is fitted with a flow controller in the condenser feed pipe.

For users with an inadequate feed water pressure a low pressure adapter pipe is available separately to allow the Still to operate to a minimum pressure of 5 psig (35 kPa).

CARE OF PRODUCT

The product is finished in epoxy paint for durability. In order to keep the paint surface clean and free of stains, regular wiping with a mild detergent is recommended. Avoid the use of solvents and coarse materials.

GLASSWARE SAFETY

Like all laboratory glassware assemblies, after an extended period of use, water Stills may suffer a reduction in wall thickness caused by the continual process of solution attrition.

In the unlikely event that failure occurs it may be sudden, therefore, it is wise to be cautious when servicing or handling equipment, and also to periodically check the thickness of the Still's boiler.

It is important to site water Stills in a safe location, such that personnel are not endangered by the spillage of boiling water or broken glass.

In operation it is strongly recommended the door on Fistream III is kept in place. By doing so, any spillage of water or failure of the glassware is likely to be contained in the Still's cabinet.

ELECTRICAL SAFETY

Before connecting this apparatus to the electricity supply, check the information given on the rating plate and ensure that:

- a) Your supply is single phase a.c. (alternating current) of the stated frequency with the neutral, nominally at earth potential.
- b) Your supply voltage is within the stated range.
- c) The current rating is within the capacity of your supply outlet.

WARNING:

**THIS APPARATUS MUST
BE EARTHED.**

Consult a qualified electrician if in any doubt or if the supply system has any of the following:

- * No earth.
- * Color code different from the above.
- * Reversible plugs.
- * Supply and return leads that are both above earth potential.

See section "Electrical Connection" for installation advice.

PRE-INSTALLATION

Before starting to install and operate your Flstream III, please read this section carefully and observe the following points:

Service Requirements

Power: The Still is factory set to one of the following voltages:

208 Volts
240 Volts

The Still will function at both 50/60Hz. Ensure that the Power supply is rated at a minimum of 13 Amps. The power input for the still is 3 kW.

WARNING:

CHECK THAT THE VOLTAGE DESCRIBED ON THE RATING LABEL CONFORMS TO THE POWER SUPPLY YOU HAVE AVAILABLE. ALSO CHECK THAT THE VOLTAGE MARKED ON THE HEATERS IS COMPATIBLE. CONTACT YOUR DEALER IF THE VOLTAGES DO NOT MATCH OR YOU ARE UNSURE AS TO THEIR SUITABILITY.

Feed Water

Supply: Flow should be at least 2 liters/min, at a pressure of 10-80 psig (70-560kPa).

Low Pressure Water: The Still can be converted to allow the Still to operate between 5-10 psig (35-70 kPa). Contact Barnstead Thermolyne for details.

Pre-treated Supply: If your Still uses pre-treated water, the flow rate should exceed 5 liters per hour.

Drain: Sink or open drain to be sited below the level of the Still drain outlet. The drain should be vented to the atmosphere.

Environmental Conditions

The Still is designed to operate safely under the following environmental conditions:

- indoor use.
- altitude up to 2000M.
- ambient temperatures between 5°C - 40°C.
- supply voltages not exceeding $\pm 10\%$ of the nominal voltage.
- maximum humidity, 80% at 31°C, decreasing linearly to 50%RH at 40°C.
- pollution degree 2.

UNPACKING

Caution: The Still, although not particularly heavy, is an awkward size, it is recommended that at least two people are involved in all lifting operations.

When lifting keep the door in place, any other face of the still can be used to obtain a hold on the still.

Carefully remove the Still and the accessory pack from the box. Inspect for breaks and missing parts

The accessory pack contains the following:

- Reinforced mains input tube with fittings.
- Reinforced drain tube with fittings.
- Distillate tube (silicone rubber).
- Distillate glass elbow.
- Reservoir float level switch.
- Plastic funnel.
- Wall mounting bracket.
- Pack to convert to pre-treated feed

NOTE: Do not dispose of any packaging until the Still is fully functioning.

INTERNAL PACKING

- In order to remove the internal packing and subsequently fit the heating elements it is necessary to remove the top moulded cover of the Still.
- Remove the door. Unscrew the two cross-head screws in the recessed holes at the front of the cover. To access these, lift out the white hole caps. Pull the cover forward and lift off.
- Remove the white foam packing pieces from the unit.
- Lift out the internal foam packing piece from the top of the unit.

INSTALLATION PROCEDURES

Door removal

To remove the front door of the still insert a finger in the hole in the bottom of the door. Lift the door and pull the bottom of the door forwards.

Fixing

The Still may be either free standing or wall mounted. Where bench mounted, ensure the drain tube is allowed a continual downward path to drain, free of any restrictions.

Wall Fixing

Fix the "J" shaped mounting bracket (accessory pack) to the wall using an adequate wall anchoring method. Check the wall construction and select the most appropriate wall plug. Note the operational weight of the unit is approximately 35 kg (77 lbs).

Caution: Contact your building maintenance personnel if you are unsure about either the type of hardware fixings to use or the ability of the wall to support this weight.

Water Supply Connection

Connect the water input hose to the rear screw thread connector on the right side of the Still
Ensure that the internal screen filter is installed in between the male and female parts of the screw connection



Drain Connection

Fit the Drain hose to the front screw thread connector on the right side of the Still, uncoil and run to an open drain, sink or gully; cut to length if required. Ensure this hose is free of kinks and has an unrestricted gravity flow to drain.



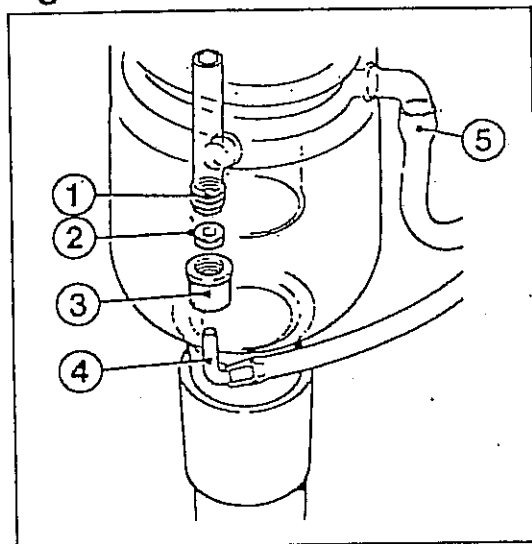
It is advisable to run the drain hose below the mains water input hose to avoid any raising of the drain hose, as it exits the Still.

Distillate outlet pipe fitting

Take the right angled glass distillate connector and fit the distillate tube (silicon tubing) to the rifflied end. Connect this using the plastic screw fitting attached to the screw thread outlet of the condenser, ensure that the PTFE disc on the sealing washer is facing outwards (towards the water).

Feed the distillate tube through the distillate port on the right side of the Still. If required this may alternatively be fed through the left-hand side.

Fig 3



Index	Description	Part Number
1.	Condenser distillate outlet	
2.	PTFE disc	
3.	Screw fitting	
4.	Glass distillate connector	562X4
5.	Condenser feed tube	

Drip Tray

The base of the Still serves as a built-in drip/spillage tray. This will accommodate a full boiler and constant level device contents, in the event of breakage.

Water spillage is discharged through the small outlet sited adjacent to the water inlet connection. A suitable tube may be attached to this outlet to safely drain away any excess spillage.



FITTING HEATERS

WARNING:

ENSURE THE STILL IS DISCONNECTED FROM THE POWER SUPPLY. THIS PROCEDURE IS NOT A USER TASK AND MUST BE PERFORMED BY A QUALIFIED ELECTRICIAN OR SIMILARLY COMPETENT PERSON.

CAUTION: Ensure that the heaters are the correct rating for your Still by comparing the markings on the heater with those on the rating label.

- a) Remove the electrical access panel on the right side of the Still by removing the four retaining screws.

WARNING:

AN EARTH ELECTRICAL LEAD IS ATTACHED TO THIS PANEL.

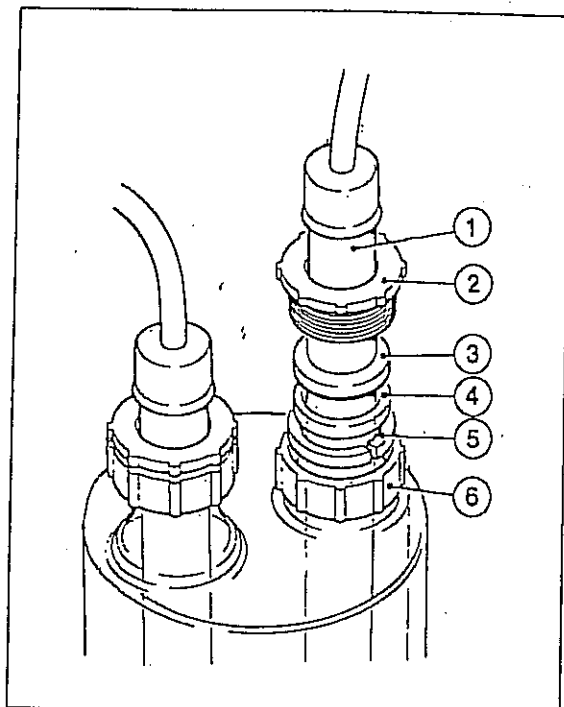
DO NOT REMOVE THIS LEAD.

- b) The two identical heating elements are fitted into the top of the boiler by means of plastic screw threaded unions.
- c) Unscrew and remove from the heater the internally threaded part of the plastic union and the split ring.
- d) Push the internally threaded part of the plastic union initially onto the right side heater entry port, followed by the split ring.
- e) Insert the heater into the entry port and thread the two halves of the plastic union together until hand tight.

NOTE: A smear of silicone grease on the tapered surface of the nitrile rubber ring and on the union threads greatly assists obtaining a tight joint.

To avoid nuisance tripping of the thermal cut-out it is important to equally space the heaters from the boiler wall and the glass pocket of the

Fig 4



Index	Description	Part Number
1.	Heater element (240V)	562X23
.	Heater element (208V)	562X62
2.	Plastic union (heater)	06731
3.	Nitrile rubber ring	562X29*
4.	Heater entry port (boiler)	-
5.	Split ring	*
6.	Plastic union (boiler)	*

* included with 06731

thermal cut-out. This may be achieved by rotating the heater prior to fully tightening the plastic unions.

- f) The heater cable should be fed through the slot in the rear of the boiler compartment and be secured by means of the cable restraining grommet.

Repeat this procedure (b-f) for the other heater (left side of the boiler).

- g) Feed both heater cables through the retaining slot and allow sufficient cable for connection to the relay, (fig 5).

NOTE: The wires of the heater are terminated with different connectors, this allows you to connect one wire from each heater to a terminal. The colors of the wire and their orientation onto the relay are unimportant.

NOTE: This is a good time to check that the heater core is fully located at the bottom of its sheath.

- h) To avoid any excess cable, adjust the restraining grommets to allow surplus cable to be fed behind the boiler bulkhead panel.
- i) Refit the electrical compartment access panel, **ENSURING THE EARTH WIRE IS CONNECTED** and that screws are fully tightened.
- j) Refit the top moulding
- k) Re-fit the door.

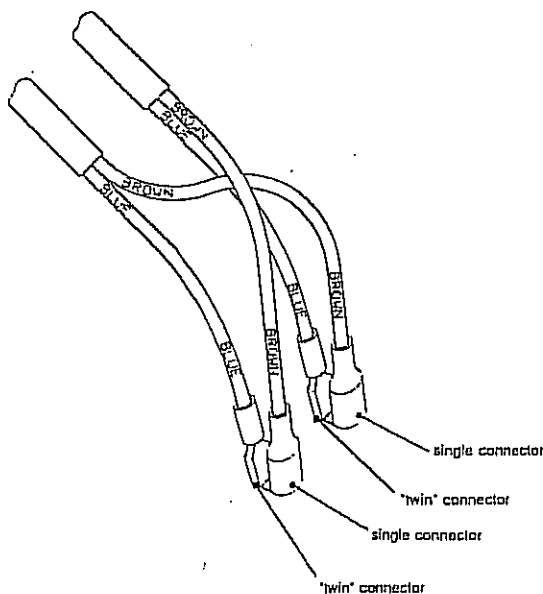
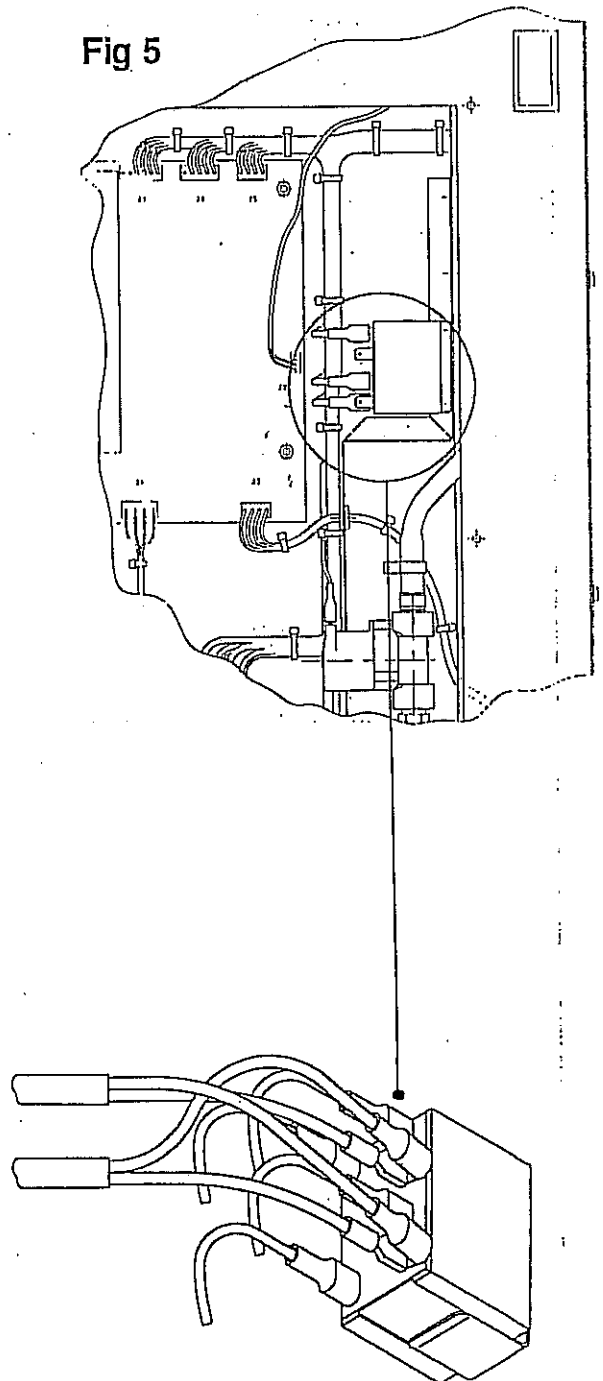


Fig 5



ELECTRICAL CONNECTION

The Still is fitted with 1.4 meter (5 feet) length of cable and a plug suitable for the specified voltage, ensure your electrical supply is capable of handling 15 Amps.

WARNING:

THIS APPARATUS MUST BE EARTHED.

RESERVOIR CONNECTION

The Still is supplied with a reservoir float level switch (accessory pack). The float switch allows the Still to be used with a reservoir of the user's choice.

- a) Push the reservoir float switch plug into the connector and lock into position.
- b) Choose a suitable container and insert the float switch in a vertical mode ensuring it is secured firmly into position. A locking nut is provided for this purpose and should be used where possible. (1/2" diameter hole for float switch).

The orientation of the float switch is shown in Fig 6. Whenever removing the float from the float switch stem it is important the float, when refitted, is positioned correctly (note the embossed "T", for top) otherwise the switch will not function.

The Still will now automatically switch on and off as the reservoir fills and empties. To prevent frequent switching of the Still the float has a wide switching differential, hence the long stem.

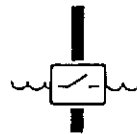
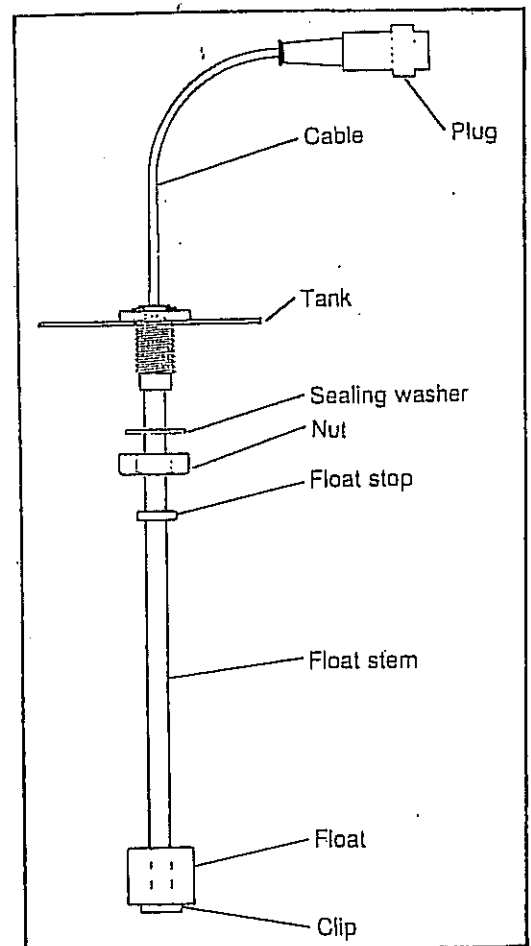


Fig 6



THERMAL CUT-OUT

A thermal cut-out, Fig.1 # 8 is fitted to the boiler to protect the Still from overheating, In the unlikely event that other controls fail. The thermal cut-out is resettable by the user.

Should the thermal cut-out operate, all function indicators on the membrane switch panel will extinguish, but the green mains "power on" lamp on the right side of the Still will remain lit.

- a) Leave the Still to cool for approximately 20 minutes before resetting.
- b) To reset the cut-out, firmly push in the reset button, Fig 1 # 9.
- c) The Still should now operate normally.
- d) Should the cut-out operate again, call Barnstead Thermolyne Customer Service Department.

THERMISTOR

A thermistor sensor is installed in the rear of the constant level device, Fig 1 # 7.

In the event of the thermistor requiring replacement:

- a) Ensure that the Still is disconnected from the electricity supply.
- b) Remove the electrical control panel on the right of the Still.
- c) Disconnect the thermistor leads from the printed circuit board.
- d) Pull the cables out through the front of the Still, this is easier if the back panel is removed.
- e) Peel off the thermistor boot assembly and pull out the assembly from the constant level device, this can require a twisting/pulling action.
- f) The reverse procedure is required for fitting the replacement. A slight smear of grease on the boot will greatly assist refitting.

BEFORE PROCEEDING TO THE "OPERATION" SECTION, PLEASE FAMILIARIZE YOURSELF WITH THE ELECTRICAL FUNCTIONS OF THE STILL. THESE ARE DESCRIBED AS FOLLOWS:

ELECTRICAL CONTROLS

Indicator Lamps

Three LED lamps on the membrane switch panel indicate the following functions:

- | | |
|---------------|--|
| POWER | Colored Green. This indicates the presence of power to the unit. It is lit whenever power is available in the logic circuits. |
| ON/OFF | Colored Yellow. Shows power is available to the heaters. It does not necessarily indicate that the heaters are on. Separate sensors (eg. thermistor, reservoir float switch) will determine when the heaters are switched on and off. |
| CLEAN | Colored Yellow. Indicates the unit is in its clean cycle. |

Membrane Switches

Two membrane switches have the following functions:

- | | |
|---------------|---|
| ON/OFF | This is used in both the distilled cycle and the clean cycle. |
| CLEAN | This is used to select the clean mode. It may only be used when the unit is in "idle" mode, i.e. when both "on/off" and "clean" lamps are extinguished. |

L.E.D. Displays

The unit operates in a number of different modes. These modes can be understood by interpreting the combinations of the LED displays. The following table shows the different modes together with the action taken if one or other switch is pressed.

IDLE mode	"on/off" and "clean" LEDs are both unlit. System is idle, awaiting instruction. Press "on/off" to enter DISTIL mode. Press "clean" to enter CLEAN mode.
DISTIL mode	"on/off" LED lit, "clean" LED unlit. System is distilling normally. Press "on/off" to return to IDLE mode
CLEAN mode:	"Clean" LED lit, "on/off" LED unlit. System is in clean mode and will not discharge water from the boiler. Press "clean" to return to IDLE mode. Press "on/off" to select HEAT mode.
HEAT mode:	"Clean" and "on/off" LEDs both lit. System is in clean mode and will fill the boiler(if not already full) and then switch the heaters are ON for a controlled period of time.

If the unit is in DISTIL mode and the distillate water tank is full, the "on/off" lamp will flash to indicate this and the heaters will turn off. The boilers will not drain.

If any of the LED's are flashing, this indicates that the self check has found a fault and is advising the user.

OPERATION

Normal operation of this Still does not involve the user with any of the internal workings of the unit.

In operation it is strongly recommended the door on F1stream III is kept in place. By doing so, any spillage of water or failure of the glassware is likely to be contained in the Stills cabinet. It also prevents the user from accidentally touching the hot glassware inside.

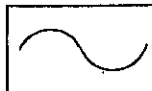
WARNING:

UNDER NO CIRCUMSTANCES SHOULD ANY OF THE ACCESS PANELS BE REMOVED WHEN THE STILL IS IN USE OR WHILE THE POWER-ON LAMP IS ILLUMINATED. SERVICING SHOULD ONLY BE UNDERTAKEN BY QUALIFIED PERSONNEL.

INITIAL SETTING UP AND NORMAL OPERATION

TAP FEED VERSION

- a) Connect the Still to a suitable power supply (see "ELECTRICAL" section) and switch on at the wall power outlet.
- b) Check that the green "POWER ON" lamp on the right side of the unit is illuminated.
- c) On applying power, the Still will undertake a short electrical function check, this is indicated by a flashing "power" LED. After 20 seconds, self check is complete and the LED will stop flashing.
- d) Ensure the drain tube is sited correctly and that the distillate tube is placed into a suitable container.
- e) Turn mains water supply on, check for leaks.
- f) Press the "on/off" membrane switch. This will bring the Still into "Distil" mode. The "on/off" lamp will illuminate and water will begin to flow through the system.



Note: If the Still suffers a power loss, either switched off by the user or a power failure, then the Still will always power up to "idle" mode.

NORMAL OPERATION FUNCTION TAP FEED VERSION

Water will enter the constant level device and boiler. When water covers the thermistor in the constant level device, the heaters will switch on. After approximately five minutes water will boil and distillate will begin to flow.

Discard the first ten minutes of distillate production in order to flush from the system any transportation/packaging dust.

To switch off the unit, press the "on/off" or "clean" membrane switch. Water will automatically drain from the glassware.

PRE-TREATED FEED VERSION

INTRODUCTION

Models are supplied complete with all the necessary components and tubing to allow the user to feed both pre-treated and tap water.

The Still may be supplied with water produced by deionization, distillation or reverse osmosis. Alternatively, the Fistream III pretreatment system is specifically designed to provide a suitable source of pre-treated water.

Condenser water (tap water) is used as cooling water and is diverted to drain. Boiler water (pre-treated) is only used as make-up water. The Still has built in controls to regulate the flow of treated water and avoid waste.

If you have a new still, or wish to convert to pre-treated feed please refer to the section in these instructions "To convert the still to pre-treated feed" before proceeding.

CAUTION:

Normal operation of this Still does not involve the user with any of the internal workings of the Still.

In operation it is strongly recommended that the door on Fistream III is kept in place. By doing so, any spillage of water or failure of the glassware is likely to be contained in the Still's cabinet. It also prevents the user from accidentally touching the hot glassware inside.

WARNING:

UNDER NO CIRCUMSTANCES SHOULD ANY OF THE ACCESS PANELS BE REMOVED WHEN THE STILL IS IN USE OR WHILE THE "POWER ON" LAMP IS ILLUMINATED.

SERVICING SHOULD ONLY BE UNDERTAKEN BY QUALIFIED PERSONNEL.

INITIAL SETTING UP

Before proceeding ensure that the still is converted to accept pre-treated water. Refer to section "To convert the still for pre-treated feed".

External connections from a user's existing pre-treated feed supply

- a) Connect the pre-treated water feed supply to the interface water input using the angled hose connector supplied.
- b) Turn on the treated water supply. Check for leaks.

NOTE: The treated water must have a positive pressure, although a very low pressure (2 psig) is acceptable.

OPERATION

- a) Ensure the drain tube is sited into an open drain, sink or gully.
- b) Check that the distillate tube is placed into a suitable container.
- c) Connect the Still to a suitable power supply (see "ELECTRICAL" section) and switch on at the wall power outlet.
- d) Check the green "power on" lamp on the right side of the unit is illuminated.
- e) On applying power, the Still will undertake a short electrical function check, indicated by the "power" LED flashing.
- f) Connect the mains tap water input to a suitable supply and turn on the mains supply. Check for leaks.
- g) Turn on the pre-treated water supply. Check for leaks.
- h) Press the "on/off" membrane switch. This will bring the Still into "Distil" mode. The "on/off" lamp will illuminate and pre-treated water will flow into both the boiler and constant level device.

When the thermistor has been covered, signifying that the boiler is full, the heaters will switch on and cooling water will flow through the condenser. The cooling water will continue to flow until the still returns to the idle mode or the power is switched off.

The treated water supply will be automatically controlled into the boiler to prevent wastage.

- i) It is advisable to discard the first ten minutes of distillate in order to flush any transportation packaging dust from the system.

To switch off the unit, press the "on/off" or "clean" membrane switch.

NOTE: When the Still is switched off the boiler contents will not be discharged to drain if the Still is in pretreat mode.

CLEANING

When the Still is run on raw tap water, routine descaling may be necessary. In hard water areas regular cleaning will prevent excessive scale build-up and allow efficient trouble free running.

Whenever suitable quality treated feed water is fed to the Still, descaling of the Stills boiler will rarely, if ever, be necessary. However, where low grade treated water has been used, after an extended period descaling may become necessary.

To clean the Still follow this procedure

- a. Allow the Still to cool before cleaning.
- b. Remove the acrylic door.
- c. Turn the mains water supply on at the tap. Users with the pre-treated feed model should also turn on the treated supply.
- d. Switch the power supply on at the wall socket and ensure both the "on/off" and "clean" lamps are unlit. The "power" LED will flash whilst the Still completes its self check.
- e. Press the "clean" membrane switch to initiate the cleaning cycle. The "clean" lamp will illuminate.

The drain discharge valve is now closed and the cleaning agent may be introduced.

CAUTION:

The use of hydrochloric acid is strongly recommended. Other substances may cause premature failure of the Still .

WARNING:

WHEN HANDLING
HYDROCHLORIC ACID ALWAYS
USE PROTECTIVE GLOVES,
CLOTHES AND GLASSES.

IN THE EVENT OF ACCIDENTAL
ACID SPILLAGE IT IS WISE TO
IMMEDIATELY REMOVE THIS
HAZARD BY DILUTING THE
SPILLAGE WITH COPIOUS
AMOUNTS OF CLEAN TAP
WATER AND REMOVING WITH
SUITABLE CLEANING CLOTH.

- f. Fill a beaker with 100ml of tap water and add 100ml of concentrated hydrochloric acid (30% - 36% w/v).

WARNING:
**NEVER ADD THE WATER TO
THE ACID.**

- g. Carefully pour the acid solution into the boiler at the top of the constant level device (Fig 7), using the plastic funnel provided (accessory pack).

CAUTION:

If excessive acid has been used or if the boiler is particularly heavily scaled, considerable foaming may occur.

In extreme circumstances foaming may reach the condenser. It may be difficult to remove this deposit from the condenser (dismantling of the glassware will be necessary) to avoid this condition press the "clean" membrane switch to drain the boiler.

Repeat the cleaning procedure using a more dilute solution of hydrochloric acid.

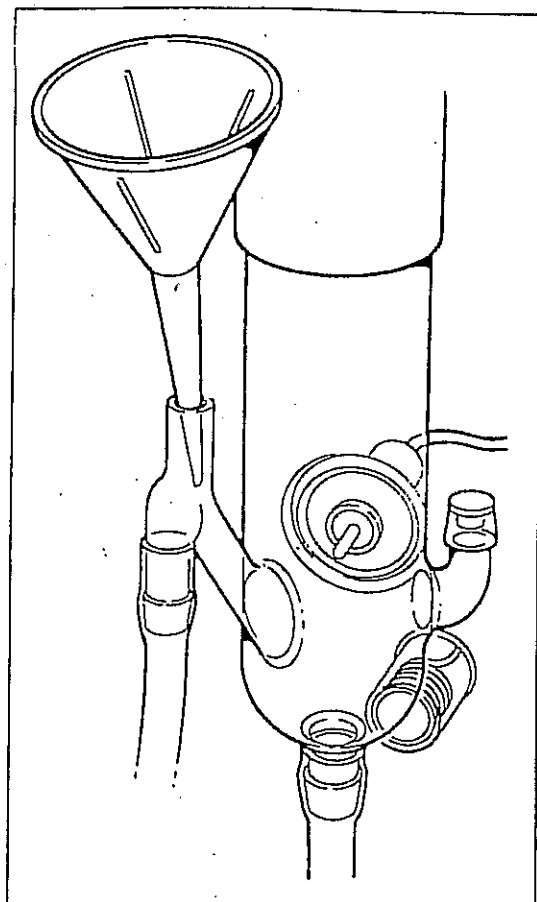
- h. Press the "on/off" switch. The "on/off" lamp will illuminate and tap water will be introduced into the boiler.

When the boiler is full, the heaters will automatically switch on for a period of 90 seconds. This will warm the dilute acid solution and improve the efficiency of the cleaning.

- i. When the heating period of 90 seconds expires, the heaters will switch off and the "on/off" lamp will extinguish.

The solution will remain in the boiler and the "clean" lamp will remain illuminated. The unit may now be left to soak for a period to allow the solution to have maximum effect.

Fig 7



-
- j. When the glassware is clean the solution may be discharged and the boilers rinsed by pressing the "clean" membrane switch. This consists of two rinses before returning to the idle mode ("clean" lamp extinguished).
 - k. Should any scale remain on the glassware below the normal water levels, the cleaning cycle may be repeated.

Any scale formed above the normal water level is unlikely to be removed by this cleaning process. However, since such scale will not be detrimental to the Still's operation or distillate quality it can be disregarded.

The unit will now be in IDLE mode.

TO CONVERT THE STILL FOR PRE-TREATED FEED

WARNING:

UNDER NO CIRCUMSTANCES SHOULD ANY OF THE ACCESS PANELS BE REMOVED WHEN THE STILL IS IN USE OR WHILE THE "POWER ON" LAMP IS ILLUMINATED.

SERVICING SHOULD ONLY BE UNDERTAKEN BY QUALIFIED PERSONNEL.

Introduction

By utilising the Pre-treated feed components (in accessory pack), the user can upgrade the Flstream III Water Still to run on purified water supplies. This supply can be deionised, distilled or reverse osmosis water from an existing supply.

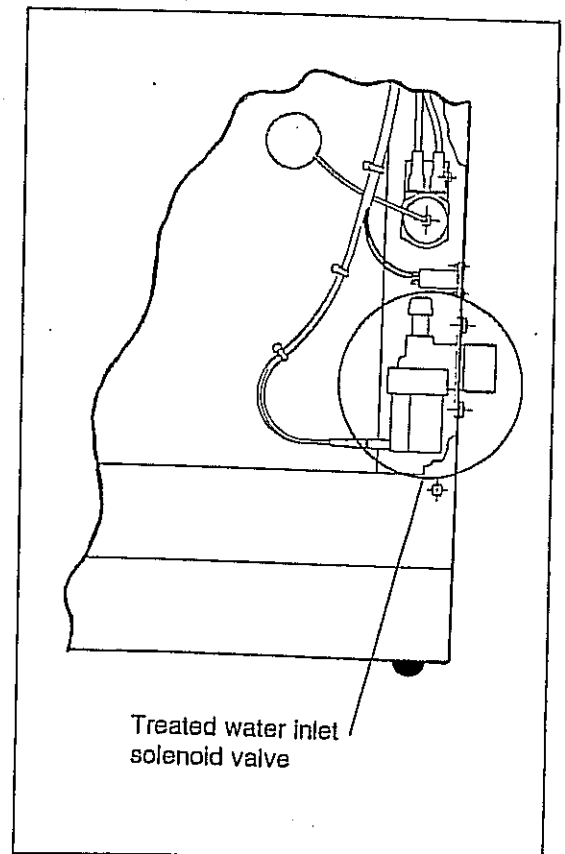
Condenser cooling water (tap feed) is separated from the boiler supply (purified) for economy. The built in controls in the Still regulate the purified water to minimise waste.

Pre-treated feed component kit

Supply tube
Y-piece
Tywraps
Black Rubber Grommet

- a) Remove the rear panel of the Still.
- b) Identify the treated water inlet solenoid valve (bottom right) see Fig 8 . Fit to this, the supply tube and fasten with one of the Tywraps (cut off the surplus tail from the Tywrap)
- c) Remove the blank plug (Fig 1 # 6) and fit the grommet into the vacated hole.
- d) Feed the supply tube through this hole ensuring the tube is not kinked and any surplus is through to the front of the Still (Fig 9 # 2).
- e) Refit the rear panel.

Fig 8



- f) Cut the constant level device drain tube approximately 95mm beneath the overflow. Attach this to one leg of the Y-piece and the other cut end to the stem of the Y-piece Fig 9 #4.
- g) Cut the condenser drain tube, so that it may be connected to the remaining leg of the Y-piece. This will allow the condenser to empty directly to drain. Remove the rest of this tube from the T-piece. Fig 9 # 5.
- h) The supply tube from the inlet solenoid valve can now be connected to the T-piece, cut this to length, if required. This allows the treated water to flow into the boiler.

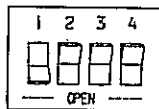
The Still is now tubed up to function for Pre-treat feed. Finally, the control section needs modifying:

- i) Remove the side panel.

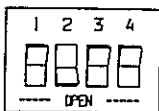
WARNING:
AN EARTH ELECTRICAL LEAD IS ATTACHED TO THIS PANEL.
DO NOT REMOVE THIS LEAD.

- j) Identify the "DIL" switches on the main control board.

Alter switches from this:

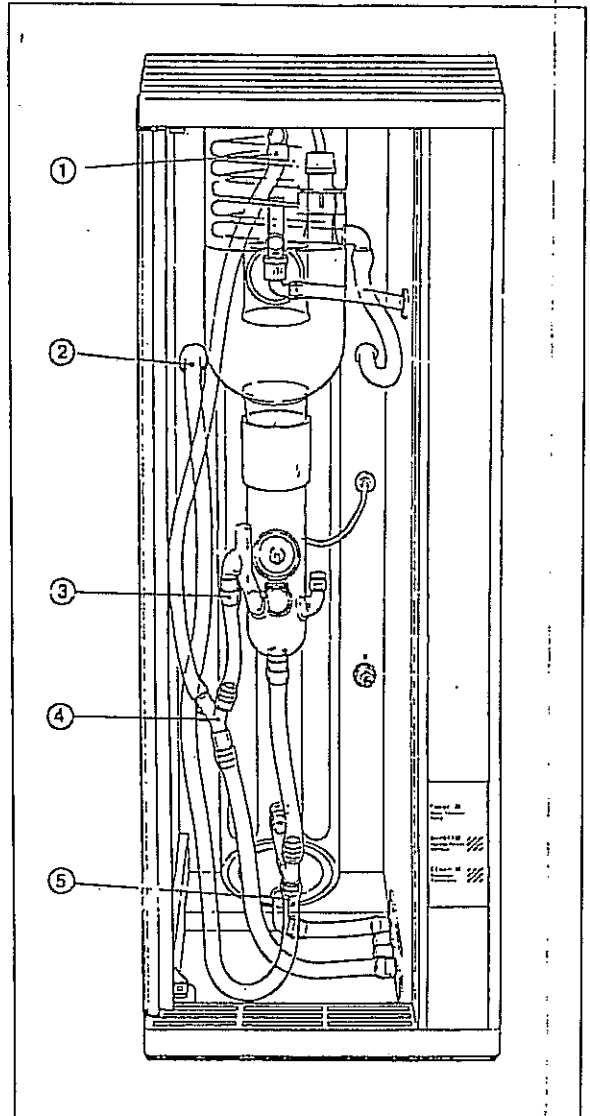


To this:

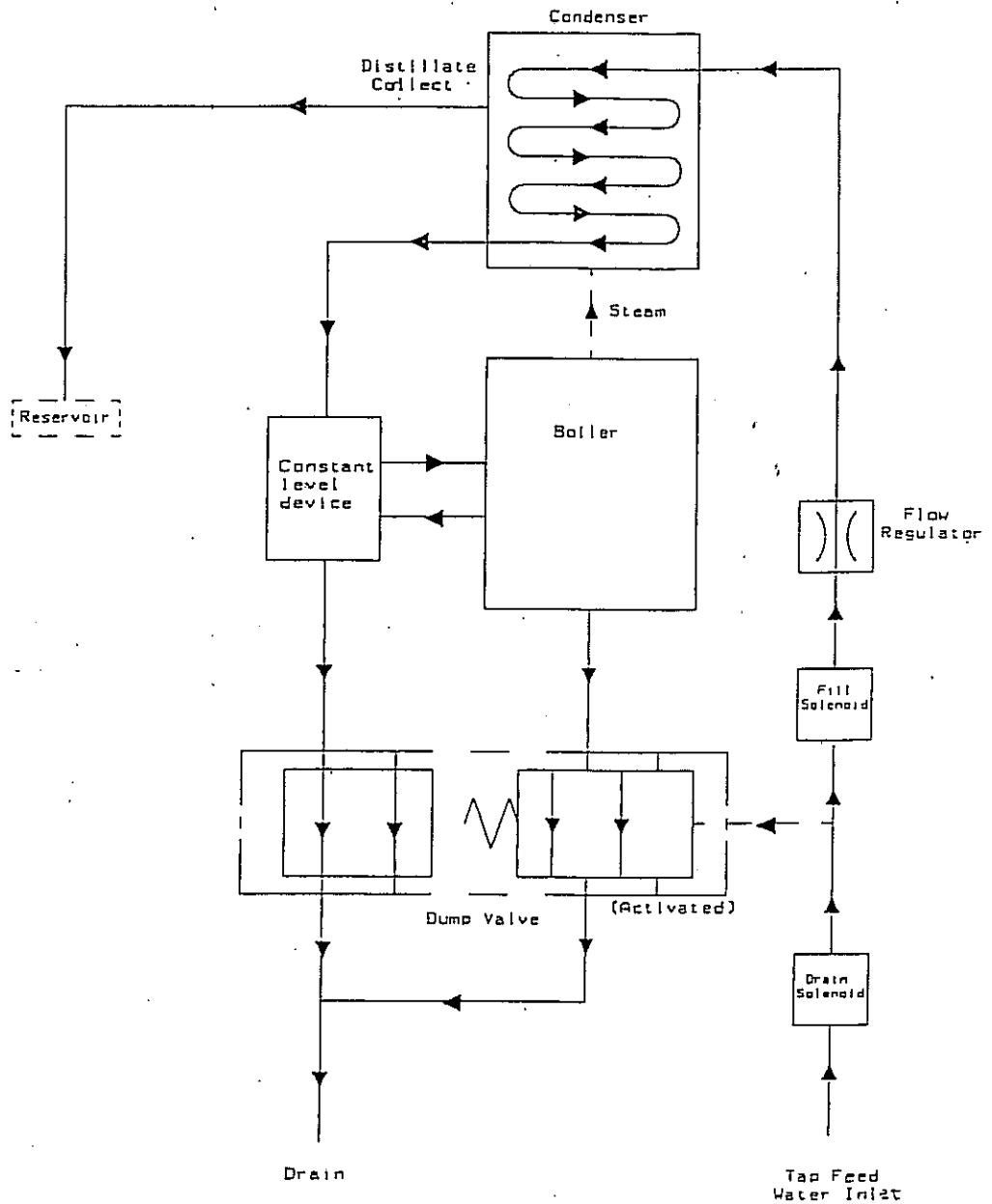


- k) Replace side panel.

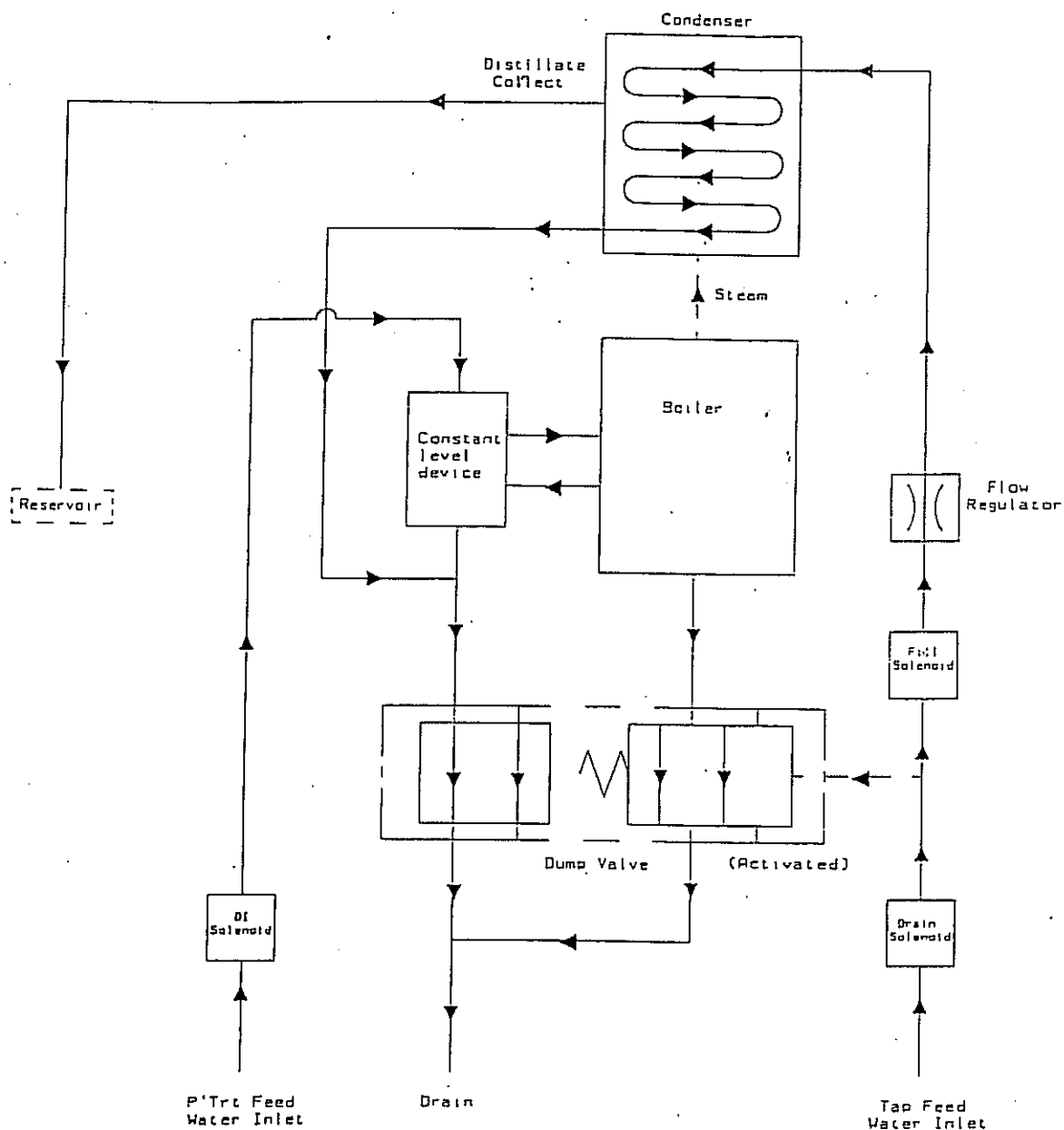
Fig 9



FLOW DIAGRAM FOR OPERATION OF THE FISTREEM III STILL - TAP FEED MODEL



FLOW DIAGRAM FOR OPERATION OF THE FISTREEM III STILL - PRE-TREATED FEED MODEL



TROUBLESHOOTING GUIDE

WARNING MANY OF THE FOLLOWING PROCEDURES SHOULD ONLY BE ATTEMPTED BY A QUALIFIED ELECTRICIAN

SYMPTOM	PROBABLE CAUSE	TEST & REMEDY
System inoperative and no water flows.	Power failure, check circuit breaker or fuse panel,	Power failure, verify unit is connected to electrical services.
No indicator lights illuminated.	Faulty power switch.	Check continuity. Replace/rewire switch.
"On/off" lamp flashes.	Tank full No water flow	No fault See symptoms describing no water
Continuous audible alarm.	Reservoir float switch either connected or disconnected during distil cycle.	Switch off, connect float switch, then restart.
10 second audible alarm, then both "power" and "on/off" indicators flash.	Thermistor exposed for too long a period during start-up.	Identify reasons for lack of water in constant level device.
10 second audible alarm, then both "power" and "Clean" indicators flash.	Thermistor exposed during distil cycle.	Identify reasons for lack of water in constant level device.
"Mains" indicator on, but "power" indicator off.	Internal fuse blown; LED failed; faulty controller board; faulty transformer.	Identify faulty component and rectify
Water does not boil or there is insufficient boiling.	Thermal cut-out tripped. Faulty heater(s)	Allow the hot system to cool (about 10 minutes). Then reset the thermal cut-out. Check heater continuity, if open circuit, then replace.
Low cooling water flow or no flow at all.	Feedwater valve (faucet) closed. Low feed pressure. Blocked feed line or clogged filter in connector. Blocked flow controller. Faulty inlet solenoid valve.	Open valve. Check for minimum 10 psi feed pressure. Remove & inspect feed pipe/solenoid screen for obstruction. Clean or replace. Clean by removing and backflushing or replace. Replace solenoid.
Distillate output low (also see insufficient boiling, above).	Faulty heater(s). Supply voltage low.	Check heater continuity, if open circuit, then replace. Check voltage and rating plate requirements.
Boiler overfills or water overflows at the constant level device.	Blocked drain tube.	Inspect water pathway from boiler to drain. Check pipes are not kinked or blocked. Ensure the drain tube is below the level of the boiler.
Low boiler water level (also check low cooling water symptoms).	Blockage in distillate or vent tubes. Pre-treated feed solenoid valve failed.	Inspect for obstruction. Check valve operation, replace if required.
Distillate build up in condenser.	Kinked or blocked distillate tube. Excessive flow resistance.	Inspect and eliminate bends or blockages in the pipe. Check free flow of distillate in the outlet tube to the reservoir.
Boiler fails to discharge contents	Dump valve seized or blocked. Loss of power. Scale blocking drain pathway.	Repair or replace. Restore power as appropriate. Remove scale by either chemical or physical means.

TECHNICAL CHARACTERISTICS

Feed water requirements

Tap water	10 - 80 psig (70 - 580 kPa) (low pressure 5 psi adaptor available)
Treated water (optional)	more than 1 - 2 liters/min more than 2 - 80 psig
Operational temperature range	4° - 47°C (40° - 120°F)
Cooling water temperature	4° - 20°C (40° - 68°F)

Dimensions and weight

Width	300 mm (12")
Depth	380 mm (15")
Height	750 mm (30")
Operational weight	35Kg (77 lbs)

Plumbing connections

Feed water inlet	½" ID tubing.
------------------	---------------

Electrical requirement (depending on model supplied)

208V 50-60Hz single phase 15 amp fused.
240V 50-60Hz single phase 15 amp fused.

Check the equipment rating label for details.

If your power supply is different from the rated unit, please contact Barnstead at 800-446-6060.

REPLACEMENT PARTS

Heaters

Voltage	Watts	Part No.	Still Type
208	1500	562X62	A56218-857
240	1500	562X23	A56210-857

CAUTION: Ensure that the replacement heaters are of the correct rating for the Still by comparing the markings on the heater with those on the rating label.

Fuses

Fuses on the control board (PCB):

FS1 = 1 Amp fast acting (5 mm x 20 mm)

Part number 857X9

FS2 = 2 Amp fast acting (5 mm x 20 mm)

Part number 857X8

Integral power fuses:

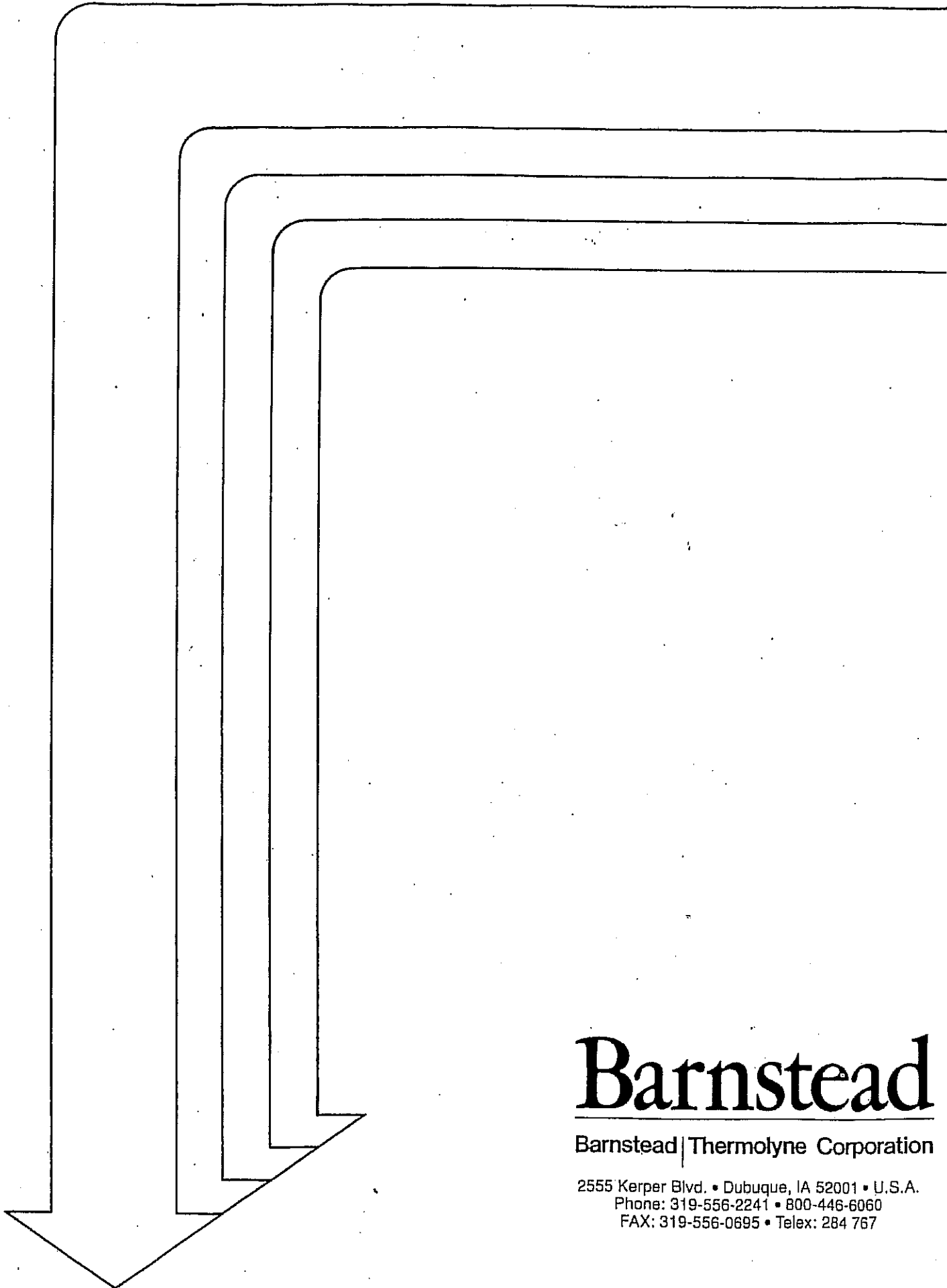
Both fuses are 15 Amp fast acting (10 mm x 38 mm)

Part number 857X7

Parts list

The item numbers refer to figure 1

Item	Part No.	Description
1	562X23	Heating element 240V
	562X62	Heating element 208V
2	-	Condenser CO ₂ bleed
3	TUX31	Silicone rubber distillate tube
4	562X1	Condenser
5	562X2	Boiler
6	-	Blanking plug
7	562X6	Thermistor
8	562X7	Thermal cut-out
9	-	Thermal cut-out reset button
10	562X3	Constant level device
11	857X4	"Power On" lamp
12	-	"On/off" membrane switch
13	-	"Clean" membrane switch
14	-	Support tubing
	562X4	Glass distillate connector
	857X12	Heater relay
	857X11	Main control board
	857X9	1A fuse (FS1)
	857X8	2A fuse (FS2)
	857X3	Reservoir float switch
	857X22	Solenoid valve (drain-fill)
	857X5	Solenoid valve (pre-treated supply)
	857X26	Plastic "T" piece
	857X27	Plastic "Y" piece
	562X50	Reinforced pressure tubing
	562X75	Silicone rubber tubing
	06319	Feed tubing (blue)
	562X24	Heater sheath
	06731	Heater element union
	857X21	Door



Barnstead

Barnstead | Thermolyne Corporation

2555 Kerper Blvd. • Dubuque, IA 52001 • U.S.A.
Phone: 319-556-2241 • 800-446-6060
FAX: 319-556-0695 • Telex: 284 767

™ FISTREEM is a trademark of **SANYO GALLENKAMP PLC**



Artisan Technology Group is your source for quality new and certified-used/pre-owned equipment

- FAST SHIPPING AND DELIVERY
- TENS OF THOUSANDS OF IN-STOCK ITEMS
- EQUIPMENT DEMOS
- HUNDREDS OF MANUFACTURERS SUPPORTED
- LEASING/MONTHLY RENTALS
- ITAR CERTIFIED SECURE ASSET SOLUTIONS

SERVICE CENTER REPAIRS

Experienced engineers and technicians on staff at our full-service, in-house repair center

*InstraView*SM REMOTE INSPECTION

Remotely inspect equipment before purchasing with our interactive website at www.instraview.com ↗

WE BUY USED EQUIPMENT

Sell your excess, underutilized, and idle used equipment. We also offer credit for buy-backs and trade-ins. www.artisanng.com/WeBuyEquipment ↗

LOOKING FOR MORE INFORMATION?

Visit us on the web at www.artisanng.com ↗ for more information on price quotations, drivers, technical specifications, manuals, and documentation

Contact us: (888) 88-SOURCE | sales@artisanng.com | www.artisanng.com