



## Artisan Technology Group is your source for quality new and certified-used/pre-owned equipment

- FAST SHIPPING AND DELIVERY
- TENS OF THOUSANDS OF IN-STOCK ITEMS
- EQUIPMENT DEMOS
- HUNDREDS OF MANUFACTURERS SUPPORTED
- LEASING/MONTHLY RENTALS
- ITAR CERTIFIED SECURE ASSET SOLUTIONS

### SERVICE CENTER REPAIRS

Experienced engineers and technicians on staff at our full-service, in-house repair center

### *InstraView*<sup>SM</sup> REMOTE INSPECTION

Remotely inspect equipment before purchasing with our interactive website at [www.instraview.com](http://www.instraview.com) ↗

### WE BUY USED EQUIPMENT

Sell your excess, underutilized, and idle used equipment. We also offer credit for buy-backs and trade-ins. [www.artisanng.com/WeBuyEquipment](http://www.artisanng.com/WeBuyEquipment) ↗

### LOOKING FOR MORE INFORMATION?

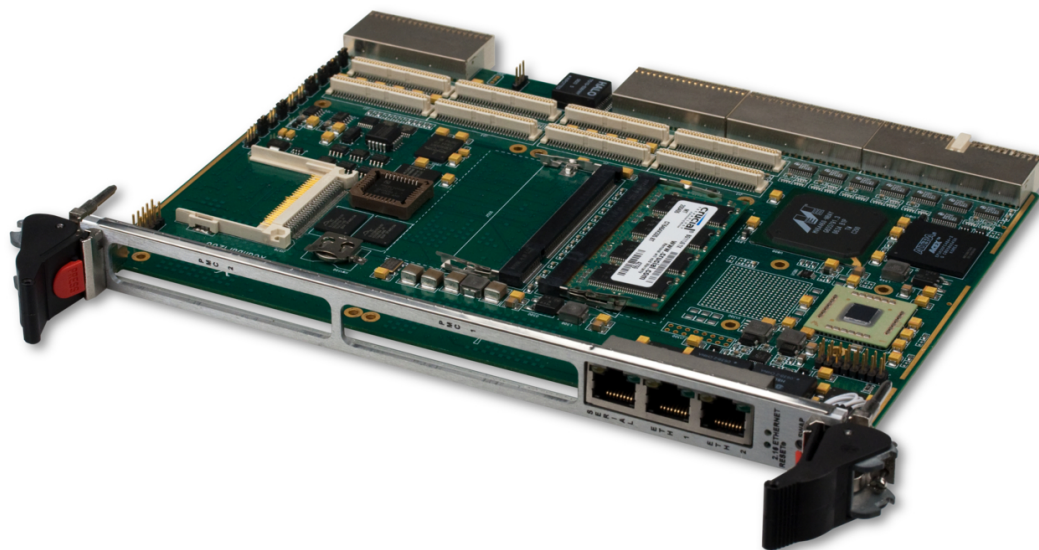
Visit us on the web at [www.artisanng.com](http://www.artisanng.com) ↗ for more information on price quotations, drivers, technical specifications, manuals, and documentation

**Contact us:** (888) 88-SOURCE | [sales@artisanng.com](mailto:sales@artisanng.com) | [www.artisanng.com](http://www.artisanng.com)

# XCalibur1200

Single/Dual Freescale MPC7447A/7448 Processor-Based Air-Cooled 6U cPCI Module with PICMG 2.16 Ethernet

- ▶ Single/dual Freescale MPC7447A/7448 PowerPC 1.4 GHz processors
- ▶ Dual PCI-X PrPMC slots
- ▶ Autosense system/peripheral slot
- ▶ Hot swap support
- ▶ Up to 1 GB DDR SDRAM
- ▶ Up to 128 MB soldered flash
- ▶ Three front panel Gigabit Ethernet ports
- ▶ Complies to PICMG 2.0, 2.1, 2.3, 2.9, and 2.16
- ▶ VxWorks BSP
- ▶ Linux BSP
- ▶ QNX Neutrino BSP
- ▶ Green Hills INTEGRITY BSP



## XCalibur1200

The XCalibur1200 is a 6U CompactPCI single-board computer with a PICMG 2.16 Gigabit Ethernet backplane interface and dual Freescale MPC7447A/7448 1.4 GHz processors. It is well-suited for telecom, industrial, and general computing applications.

The XCalibur1200 provides a highly-configurable processing platform. Two SO-DIMM DDR SDRAM sockets provide up to 1 GB of local memory. An optional CompactFlash interface accepts up to 1 GB of non-volatile memory. Two PCI-X PrPMC slots are available for high bandwidth I/O.

Hot swap support allows the XCalibur1200 to be installed into a live system without disrupting CompactPCI bus activity. In addition, system management bus support allows the card to be powered down and reset remotely through the IPMI interface.

For the system designer, the XCalibur1200 provides a feature-rich solution to support the next generation of embedded applications.

# X-ES

Extreme Engineering Solutions

*...Always Fast*

### Extreme Engineering Solutions

3225 Deming Way, Suite 120 • Middleton, WI 53562

Phone: 608.833.1155 • Fax: 608.827.6171

sales@xes-inc.com • <http://www.xes-inc.com>

**Processor**

- Single/dual Freescale PowerPC MPC7447A/7448 processors
- 1.4 GHz max processor speed
- 133 MHz bus speed
- 32 kB L1 instruction/data caches
- Up to 1 MB L2 cache

**Memory**

- Dual DDR SO-DIMM SDRAM
- Up to 144 MB soldered NOR flash
- 512 KB socketed NOR flash
- 512 byte EEPROM

**cPCI**

- Operates in system or peripheral slot (jumper selectable)
- PICMG 2.1 (hot swap support)
- PICMG 2.3 (routes PMC I/O to P3 and P5)
- PICMG 2.9 (dedicated IPMI controller)
- PICMG 2.16 (two 10/100/1000 BASE-T Ethernet ports)

**PCI-X PMC Slots**

- Maximum aggregate bandwidth of 1 Gbps
- Processor PMC (PrPMC) support

**Software Support**

- Linux BSP
- Wind River VxWorks BSP
- QNX Neutrino BSP
- Greens Hills INTEGRITY BSP
- Ethernet and IPMI drivers

**Environmental Requirements**

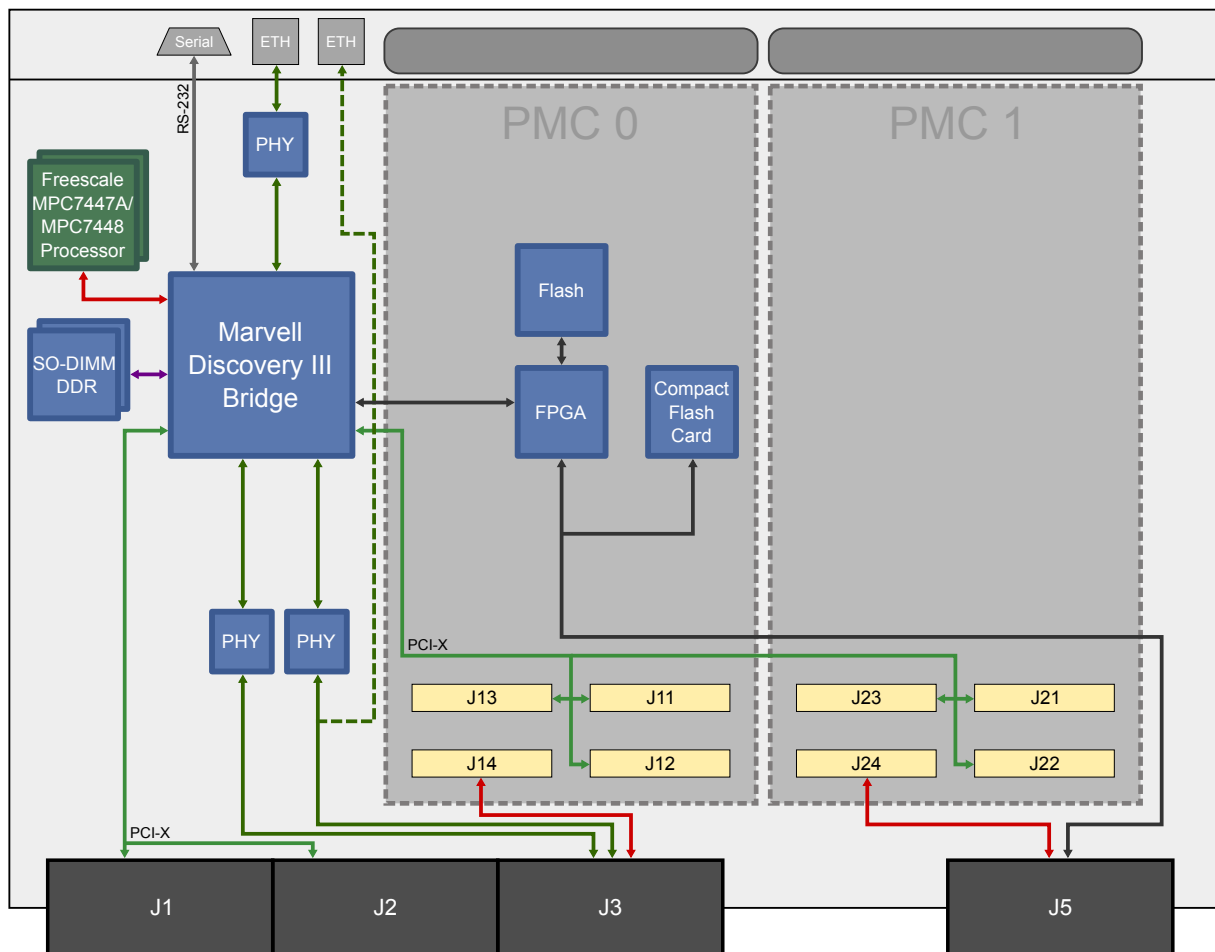
Contact factory for appropriate board configuration based on environmental requirements.

- Supported ruggedization levels (see chart below): 1
- Conformal coating available as an ordering option

**Power Requirements**

- 3.3V, 3.8 A, 12.54 W
- 5V, 1.95 A, 9.75 W

Supported Ruggedization Level	Level 1
Cooling Method	Standard Air-Cooled
Operating Temperature	0 to +55 °C ambient (300 LFM)
Storage Temperature	0 to +85 °C ambient
Vibration	0.002 g <sup>2</sup> /Hz, 5 to 2000 Hz
Shock	20 g, 11 ms sawtooth
Humidity	0% to 95% non-condensing



XCalibur1200





## Artisan Technology Group is your source for quality new and certified-used/pre-owned equipment

- FAST SHIPPING AND DELIVERY
- TENS OF THOUSANDS OF IN-STOCK ITEMS
- EQUIPMENT DEMOS
- HUNDREDS OF MANUFACTURERS SUPPORTED
- LEASING/MONTHLY RENTALS
- ITAR CERTIFIED SECURE ASSET SOLUTIONS

### SERVICE CENTER REPAIRS

Experienced engineers and technicians on staff at our full-service, in-house repair center

### *InstraView*<sup>SM</sup> REMOTE INSPECTION

Remotely inspect equipment before purchasing with our interactive website at [www.instraview.com](http://www.instraview.com) ↗

### WE BUY USED EQUIPMENT

Sell your excess, underutilized, and idle used equipment. We also offer credit for buy-backs and trade-ins. [www.artisanng.com/WeBuyEquipment](http://www.artisanng.com/WeBuyEquipment) ↗

### LOOKING FOR MORE INFORMATION?

Visit us on the web at [www.artisanng.com](http://www.artisanng.com) ↗ for more information on price quotations, drivers, technical specifications, manuals, and documentation

**Contact us:** (888) 88-SOURCE | [sales@artisanng.com](mailto:sales@artisanng.com) | [www.artisanng.com](http://www.artisanng.com)