



Artisan Technology Group is your source for quality new and certified-used/pre-owned equipment

- FAST SHIPPING AND DELIVERY
- TENS OF THOUSANDS OF IN-STOCK ITEMS
- EQUIPMENT DEMOS
- HUNDREDS OF MANUFACTURERS SUPPORTED
- LEASING/MONTHLY RENTALS
- ITAR CERTIFIED SECURE ASSET SOLUTIONS

SERVICE CENTER REPAIRS

Experienced engineers and technicians on staff at our full-service, in-house repair center

*InstraView*SM REMOTE INSPECTION

Remotely inspect equipment before purchasing with our interactive website at www.instraview.com ↗

WE BUY USED EQUIPMENT

Sell your excess, underutilized, and idle used equipment. We also offer credit for buy-backs and trade-ins. www.artisanng.com/WeBuyEquipment ↗

LOOKING FOR MORE INFORMATION?

Visit us on the web at www.artisanng.com ↗ for more information on price quotations, drivers, technical specifications, manuals, and documentation

Contact us: (888) 88-SOURCE | sales@artisanng.com | www.artisanng.com



Mini Encapsulated - with screw terminals

LINEAR REGULATED AC-DC single & dual tracking outputs

- Shipped Within 3 Days
- All Models U.L. Recognized
- One Year Warranty



Don't forget these facts about Acopian....

1. We ship within 3 Days (see our 3 Day Shipping Promise below).
2. Acopian power supplies last a *very long time*.
3. The Voltage Finder is the quickest way to find a power supply with the specs you need.
4. The Online System builder (www.acopian.com/SystemBuilder) is a convenient way to get your own custom Power System (and they ship within 9 Days).
5. You always talk to a real person when you call Acopian.
6. You can order your Acopian power supplies factory direct.
7. You can order your Acopian power supplies online.
8. All Acopian products are made in the USA.



Acopian Technical Company • Easton, PA
 1-800-523-9478 • www.acopian.com
 Order Factory Direct   
 Made in USA 





single & dual tracking outputs

Mini Encapsulated - with screw terminals

LINEAR REGULATED

AC-DC



- Shipped Within 3 Days
- All Models U.L. Recognized
- One Year Warranty

Although small in size, these mini-modules offer high performance at modest prices. All models, with series regulated outputs ranging from 1 to 75 volts and as high as 2.5 amps, may be mounted in an area only 3.5" x 2.5". Dual output models are available with the ratings

commonly required for driving op amps and other balanced loads. Terminal strip input/output connections eliminate all need for sockets or soldering. Short circuit protection, encapsulated construction, and conservative design assure long term reliability.

STANDARD FEATURES

- May be used in series
- No derating or heat sinking required
- Short circuit protected
- Small, lightweight

SPECIFICATIONS

Input Voltage: 105-125 VAC, 47 to 420 Hz, single phase.

Output Voltage Setting: Outputs are factory preset to within $\pm 2\%$ (1 to 9 volt models) or $\pm 1\%$ (10 to 75 volt models) of the nominal output voltage.

T/C terminal: For single output models, the T/C terminal can be used to trim the output more precisely to the nominal voltage rating by connecting an external resistor from the T/C terminal to either the + or - terminal. For dual output models, the T/C terminal is the output common.

Polarity: Either positive or negative terminal of a single output module may be grounded. Dual output modules have a positive/common/negative output terminal configuration.

Ambient Operating Temperature: -20 to $+71^{\circ}\text{C}$. No derating required.

Storage Temperature: -55 to $+85^{\circ}\text{C}$.

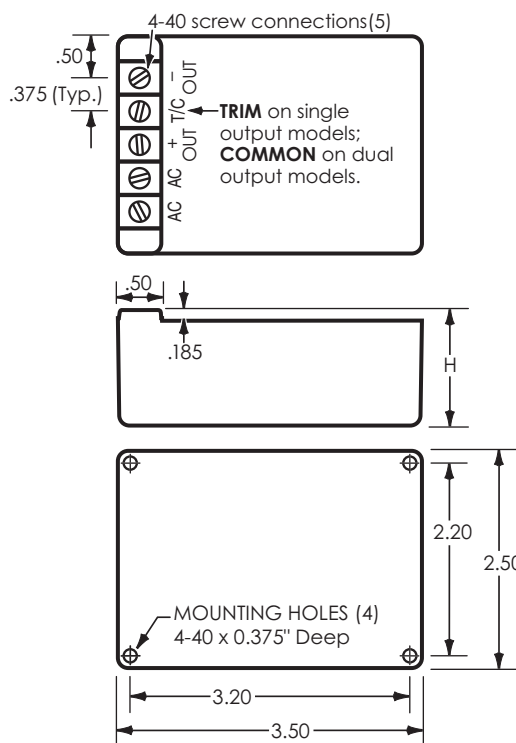
Temperature Coefficient: From 9 to 75 volts, typically $0.015\%/^{\circ}\text{C}$; 1 to 8 volts, $0.03\%/^{\circ}\text{C}$.

Impedance: 0.07 ohms at 1 kHz and 0.2 ohms at 10 kHz (approx.).

Mounting: Threaded mounting holes permit mounting to a chassis, cabinet wall or bracket, or they may be used on a test bench or tabletop. When wall-mounting or DIN rail mounting is desired, use accessory Mounting Kits on page 77.

OPTIONS

230 Volt Input: All models can be alternately furnished for operation on an input of 210 to 250 VAC, 47-420 Hz. To order, add suffix "-230" to model number and \$10.00 to price. The "-230" option requires two additional days.



Case Size	H	Approx. Weight
EB-10	1.375	15 oz.
EB-13	1.625	1 lb. 4 oz.
EB-20	2.375	2 lb. 1 oz.



SINGLE OUTPUT, WITH SCREW TERMINALS

(For Mini Encapsulated power supplies with higher wattage outputs than those shown below, see pages 38-39.)

Nominal Output Voltage	Output Current Amps.	Regulation		Ripple mV RMS	(\$) Price	Model	Case Size
		Load ±%	Line ±%				
1	.500	.4	.05	1	90	1EB50	EB-10
1.5	.500	.3	.05	1	90	1.5EB50	EB-10
1.5	1.0	.5	.05	1	120	1.5EB100	EB-13
1.5	2.5	.6	.05	1	161	1.5EB250	EB-20
2	.400	.25	.05	1	90	2EB40	EB-10
3	.500	.25	.05	1	90	3EB50	EB-10
3.3	.500	.15	.05	1	90	3.3EB50	EB-10
3.3	1.0	.4	.05	1	120	3.3EB100	EB-13
3.3	2.0	.4	.05	1	143	3.3EB200	EB-20
4	.400	.15	.05	1	90	4EB40	EB-10
5	.500	.15	.05	1	90	5EB50	EB-10
5	1.0	.25	.05	1	109	5EB100	EB-13
5	1.5	.25	.05	1	126	5EB150	EB-13
5	2.0	.25	.05	1	143	5EB200	EB-20
5	2.5	.25	.05	1	161	5EB250	EB-20
6	.400	.1	.05	1	90	6EB40	EB-10
6	.550	.25	.05	1	109	6EB55	EB-10
6	1.0	.25	.05	1	126	6EB100	EB-13
6	1.75	.2	.05	1	149	6EB175	EB-20
7	.340	.1	.05	1	90	7EB34	EB-10
7	.450	.2	.05	1	109	7EB45	EB-10
7	.900	.25	.05	1	126	7EB90	EB-13
7	1.15	.2	.05	1	149	7EB115	EB-20
8	.300	.1	.05	1	90	8EB30	EB-10
8	.700	.2	.05	1	126	8EB70	EB-13
8	1.1	.2	.05	1	149	8EB110	EB-20
9	.260	.1	.05	1	90	9EB26	EB-10
9	.450	.15	.05	1	109	9EB45	EB-10
9	.850	.2	.05	1	126	9EB85	EB-13
9	1.5	.2	.05	1	155	9EB150	EB-20
10	.240	.05	.05	1	90	10EB24	EB-10
10	.400	.15	.05	1	109	10EB40	EB-10
10	.750	.2	.05	1	126	10EB75	EB-13
10	1.2	.15	.05	1	155	10EB120	EB-20
11	.220	.05	.05	1	90	11EB22	EB-10
11	.350	.15	.05	1	109	11EB35	EB-10
11	.600	.15	.05	1	126	11EB60	EB-13
11	1.0	.15	.05	1	155	11EB100	EB-20
12	.200	.05	.05	1	90	12EB20	EB-10
12	.400	.1	.05	1	109	12EB40	EB-10
12	.700	.15	.05	1	132	12EB70	EB-13
12	1.2	.2	.05	1	155	12EB120	EB-20
13	.200	.05	.05	1	90	13EB20	EB-10
13	.350	.1	.05	1	109	13EB35	EB-10
13	.600	.1	.05	1	132	13EB60	EB-13
13	1.0	.15	.05	1	155	13EB100	EB-20
14	.200	.05	.05	1	90	14EB20	EB-10
14	.300	.1	.05	1	109	14EB30	EB-10
14	.500	.1	.05	1	126	14EB50	EB-13
14	1.0	.15	.05	1	155	14EB100	EB-20
15	.200	.05	.05	1	90	15EB20	EB-10
15	.400	.1	.05	1	109	15EB40	EB-10
15	.600	.1	.05	1	126	15EB60	EB-13
15	1.0	.15	.05	1	155	15EB100	EB-20
16	.160	.05	.05	1	90	16EB16	EB-10
16	.350	.1	.05	1	115	16EB35	EB-10
16	.500	.1	.05	1	132	16EB50	EB-13
16	.900	.15	.05	1	155	16EB90	EB-20
17	.140	.05	.05	1	90	17EB14	EB-10
17	.325	.1	.05	1	115	17EB33	EB-10
17	.450	.1	.05	1	132	17EB45	EB-13
17	.750	.15	.05	1	155	17EB75	EB-20
18	.120	.05	.05	1	90	18EB12	EB-10
18	.270	.1	.05	1	109	18EB27	EB-10
18	.400	.1	.05	1	126	18EB40	EB-13
18	.550	.1	.05	1	149	18EB55	EB-20

Nominal Output Voltage	Output Current Amps.	Regulation		Ripple mV RMS	(\$) Price	Model	Case Size
		Load ±%	Line ±%				
19	.120	.05	.05	1	90	19EB12	EB-10
19	.250	.1	.05	1	109	19EB25	EB-10
19	.400	.1	.05	1	126	19EB40	EB-13
19	.700	.1	.05	1	155	19EB70	EB-20
20	.120	.05	.05	1	90	20EB12	EB-10
20	.200	.1	.05	1	109	20EB20	EB-10
20	.400	.1	.05	1	126	20EB40	EB-13
20	.700	.1	.05	1	155	20EB70	EB-20
21	.120	.05	.05	1	90	21EB12	EB-10
21	.175	.1	.05	1	109	21EB18	EB-10
21	.375	.1	.05	1	126	21EB38	EB-13
21	.600	.1	.05	1	149	21EB60	EB-20
22	.100	.05	.05	1	90	22EB10	EB-10
22	.150	.1	.05	1	109	22EB15	EB-10
22	.300	.1	.05	1	126	22EB30	EB-13
22	.500	.1	.05	1	149	22EB50	EB-20
23	.100	.05	.05	1	90	23EB10	EB-10
23	.200	.1	.05	1	109	23EB20	EB-10
23	.300	.1	.05	1	126	23EB30	EB-13
23	.600	.1	.05	1	155	23EB60	EB-20
24	.100	.05	.05	1	90	24EB10	EB-10
24	.200	.1	.05	1	109	24EB20	EB-10
24	.350	.1	.05	1	132	24EB35	EB-13
24	.600	.1	.05	1	155	24EB60	EB-20
25	.100	.05	.05	1	90	25EB10	EB-10
25	.190	.1	.05	1	109	25EB19	EB-10
25	.325	.1	.05	1	132	25EB33	EB-13
25	.550	.1	.05	1	155	25EB55	EB-20
26	.080	.05	.05	1	90	26EB08	EB-10
26	.170	.1	.05	1	109	26EB17	EB-10
26	.300	.1	.05	1	126	26EB30	EB-13
26	.450	.1	.05	1	149	26EB45	EB-20
27	.080	.05	.05	1	90	27EB08	EB-10
27	.160	.1	.05	1	109	27EB16	EB-10
27	.300	.1	.05	1	126	27EB30	EB-13
27	.500	.1	.05	1	155	27EB50	EB-20
28	.080	.05	.05	1	90	28EB08	EB-10
28	.150	.1	.05	1	109	28EB15	EB-10
28	.300	.1	.05	1	132	28EB30	EB-13
28	.500	.1	.05	1	155	28EB50	EB-20
30	.080	.02	.02	1	97	30EB08	EB-13
32	.070	.02	.02	1	97	32EB07	EB-13
34	.060	.02	.02	1	97	34EB06	EB-13
35	.050	.02	.02	1	97	35EB05	EB-13
36	.050	.02	.02	1	97	36EB05	EB-13
38	.040	.02	.02	1	97	38EB04	EB-13
40	.030	.02	.02	1	97	40EB03	EB-13
40	.060	.02	.02	1	120	40EB06	EB-13
42	.030	.02	.02	1	97	42EB03	EB-13
44	.030	.02	.02	1	97	44EB03	EB-13
45	.030	.02	.02	1	97	45EB03	EB-13
48	.030	.02	.02	1	97	48EB03	EB-13
48	.050	.02	.02	1	120	48EB05	EB-13
50	.030	.02	.02	1	97	50EB03	EB-13
50	.050	.02	.02	1	120	50EB05	EB-13
55	.040	.02	.02	1	120	55EB04	EB-13
60	.050	.02	.02	1	120	60EB05	EB-13
65	.050	.02	.02	1	120	65EB05	EB-13
70	.040	.02	.02	1	120	70EB04	EB-13
75	.030	.02	.02	1	120	75EB03	EB-13
185	.025	Unregulated		2V	63	NX-25B	EB-10
185	.050	Unregulated		3.5V	86	NX-50B	EB-13

DUAL TRACKING OUTPUTS

Nominal Output Voltages	Amps. per Output	Regulation		Ripple mV RMS	(\$) Price	Model	Case Size
		Load ±%	Line ±%				
±5	.150	.1	.05	1.5	97	DB5-15	EB-10
±5	.250	.1	.05	1.5	120	DB5-25	EB-10
±5	.500	.1	.05	1.5	166	DB5-50	EB-20
±10	.200	.05	.05	1	109	DB10-20	EB-10
±10	.300	.05	.05	1	143	DB10-30	EB-13
±10	.400	.1	.05	1	166	DB10-40	EB-20
±12	.100	.05	.05	1	86	DB12-10	EB-10
±12	.150	.05	.05	1	97	DB12-15	EB-10
±12	.200	.05	.05	1	109	DB12-20	EB-10

Nominal Output Voltages	Amps. per Output	Regulation		Ripple mV RMS	(\$) Price	Model	Case Size
		Load ±%	Line ±%				
±12	.300	.05	.05	1	132	DB12-30	EB-13
±12	.350	.05	.05	1	143	DB12-35	EB-13
±12	.500	.1	.05	1	166	DB12-50	EB-20
±15	.100	.05	.05	1	86	DB15-10	EB-10
±15	.150	.05	.05	1	97	DB15-15	EB-10
±15	.200	.05	.05	1	109	DB15-20	EB-10
±15	.300	.05	.05	1	132	DB15-30	EB-13
±15	.350	.05	.05	1	143	DB15-35	EB-13
±15	.500	.1	.05	1	166	DB15-50	EB-20

Online Ordering and Instant Quotes for ALL Acopian power supplies at www.acopian.com

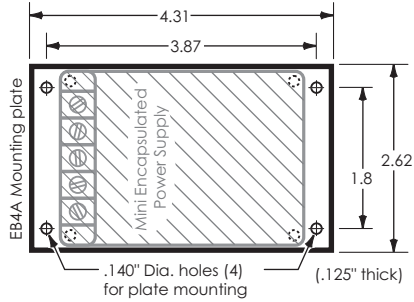
P.O. Box 638, Easton, PA 18044 • Phone: (610) 258-5441 • FAX: (610) 258-2842



Artisan Technology Group - Quality Instrumentation ... Guaranteed | (888) 88-SOURCE | www.artisan-tg.com

ACCESSORY MOUNTING KITS For use with 'Mini Encapsulated - with Screw Terminals' power supplies.

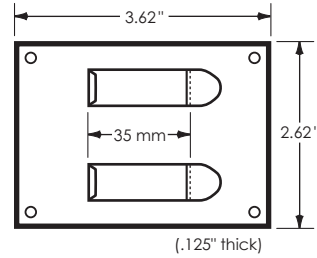
FOR WALL MOUNTING



Use Mounting Kit EB4A to mount from the power supply side of the mounting surface, necessary when the other side of the mounting surface is inaccessible. This kit consists of an aluminum plate and four screws for attaching it to the power supply, effectively adding mounting flanges to any Mini Encapsulated power supply with screw terminals or any Mini DC-DC Converter with screw terminals.

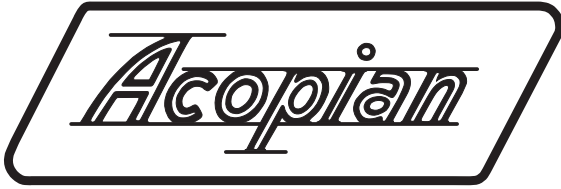
Model EB4A \$ 8

FOR DIN RAIL MOUNTING



Mounting Kit EB35DIN consists of an aluminum plate, with two DIN clips attached to it, and four screws for attaching the plate to the bottom of any Mini Encapsulated power supply with screw terminals or any Mini DC-DC Converter with screw terminals. The power supply can then be snapped onto a 35mm 'top hat' type of DIN rail.

Model EB35DIN \$12



“Whenever I need a power supply for any project, I always check Acopian first. Your customer service is first rate, and I really like the fast, dependable shipping. The reliability of your products is an additional bonus – they seem to last forever.”

- Gudrun Kleist, Engineering Associate
Lawrence Berkeley National Laboratory

About Acopian’s 3 Day Shipment Guarantee:

In 1964, Acopian initiated its “3 Day Shipping Guarantee.” Since then our product offerings have expanded to include many more lines of power supplies that ship within 3 Days as well as others that ship within 6 or 9 Days. These guarantees apply to every model in the Acopian catalog.

Our unique 3-day shipping guarantee has prompted many questions. Below are some of those most often asked:

What does Acopian’s 3-day shipping promise mean?

It means that power modules listed in this catalog are shipped within 3 days after we receive your order. High Voltage, Redundant, Rack Mounting, Systems and certain Switching power supplies are shipped within 9 days.

Has Acopian ever failed to meet this promise?

Never.

Do options affect shipping time?

The 230 volt input option and moisture/fungus-proofing option require two additional days. All other options do not affect shipping time.

Is the 3-day promise affected by quantity? Suppose we need 50 or 100 pieces?

The 3-day promise applies to orders for five or less modules. (Two or less for 9-day items). If requested, Acopian will ship five pieces of a larger order in 3 days and, with consideration of your requirement, schedule the balance. (Since each shipment is processed and priced as a separate order, for lowest prices request shipment in one lot.)

What if I need four or five different models? Does the 3-day promise still apply?

Yes. Guaranteed 3-day shipment applies to one model or to a combination of models.

Do I have to ask for 3-day shipment of my order?

3-day shipment is automatic. In fact, you must tell us if you want the shipment delayed.

How long after you ship will I have the power supplies?

Transportation time varies with the carrier used. Unless otherwise requested, Acopian ships small orders by UPS Ground.

You say Acopian has never failed to meet the 3-day promise. How do you do it?

Our facilities have been designed and equipped to meet our 3-day shipment promise. When your order is received, your power supplies are built specifically for you and shipped within three days. We do not ship from stock. (For this reason, we are unable to accept returns for credit.)

I’ve seen other power supply manufacturers advertise “same-day shipment.” Isn’t that better than 3-day shipment?

A typical vendor’s “same-day shipment” advertisement can only be fulfilled if the power supplies you need are in stock. Otherwise, a four to six week delay is not unusual before inventory is replenished and your order is shipped.

Acopian’s 3-day shipment promise applies to ALL 3 Day models (larger units ship within 9 Days) and is not dependent on the quantity in stock. We build each unit after the order for that unit is received. If an order is needed faster, often times we can ship in less than 3 days.

If you require shipment even earlier than our standard promise, just let us know, we can usually ship sooner. We welcome the opportunity to work with you.

ACOPIAN...

...answers your phone call with a live salesperson

No automated menus. The person who answers your call will courteously and promptly answer your questions, quote price and delivery, expedite your urgent requirements, and offer you immediate access to our engineers.

Call toll free 800-523-9478.

...can customize power supplies for you

If a standard power supply does not meet all of your requirements, speak with one of our engineers. We can often modify the specifications, ratings and configuration of a supply. We can also combine several power supplies into a Multiple Output Power System with the operating features you specify (such as meters and switches) and ship it within 9 Days!

...has a 5-year warranty

This is typical: One of our customers sent us an old power supply with a note indicating that the supply had been in continuous use since 1972 (33 years!), but he had recently noticed that the output voltage was low. We found that the capacitors had dried up, replaced them and returned the supply to the customer, who thanked us and said he intends to keep using it. We focus on making power supplies that will last a long time. There are power supplies that cost less than ours, or that are smaller than ours, but you won’t find any that last longer than ours. All too often, low-priced supplies are densely packed, run hot, have short lifetimes and short warranties. All Acopian metal-cased power products have a 5-year warranty, but you can expect them to last a lot longer.

Purchase Acopian... 3-day shipment, long lasting power supplies, and unsurpassed customer service.

“In my business, Acopian is referred to as bulletproof. It never fails and lasts forever.”

- Steve Andrews, President
Technical Options, Inc.

“If Acopian made automobiles, I’d buy one without question.”

- David A. Price, Research Technologist
Georgia Tech Research Institute

ORDERING INFORMATION & Terms and Conditions

ACOPIAN SELLS FACTORY DIRECT WORLDWIDE: We do not use representatives or distributors. Contact Acopian for technical information or a quote.

WARRANTY: Acopian power supplies are warranted to be free from defects in material and workmanship for a period of five years (encapsulated devices, for one year) from date of original shipment. Acopian's obligation under this warranty is limited to repairing any power supply returned to the factory Service Department in Easton, PA and replacing any defective parts. Mini Encapsulated power supplies are not repairable. Authorization must be obtained from Acopian before a power supply may be returned for repair. Units must be well packed when shipping to Acopian; the repair of any damage incurred during shipment will be charged. Transportation charges are to be paid by the purchaser. A reinspection and handling charge will be applied to returned units found to have no defects. If a failure has been caused by misuse, operation in excess of specifications, or modification by the customer, repairs will be billed at cost; in such cases, a cost estimate will be submitted before work is started.

Acopian reserves the right to make changes or improvements in its products without incurring any obligation to install the same on products previously manufactured.

This warranty is in lieu of all other warranties, obligations, and liabilities, expressed or implied, and is the purchaser's exclusive remedy. Acopian makes no warranty, either express or implied, of merchantability, fitness for a particular purpose or otherwise. In no event shall Acopian be liable whether in contract, tort, or negligence, for special, indirect, incidental or consequential damages of any kind, including loss of business or profits, or any other losses incurred by the purchaser or any third party, the Customer's remedies being limited, at Acopian's option, to replacement, repair or credit at the price on the date of claim.

The validity, performance and construction of all terms and conditions and any sale made by Acopian shall be determined by the law of Pennsylvania, without regard to its conflict of law principles, and all parties to the transaction expressly consent to the jurisdiction of such courts and consent to the venue of the Court of Common Pleas for Northampton County, Pennsylvania.

PRICES: The prices shown are F.O.B. our factory; Easton, PA. or Melbourne, FL.. All prices and specifications are subject to change without notice. Minimum order is \$50.00.

TERMS: Net 30 days, subject to credit approval. Visa, MasterCard and American Express also accepted.

SHIPPING: Location permitting, small shipments are made by United Parcel Service, or by Parcel Post; larger shipments, by insured motor freight collect. Shipments can be made by air upon request. Risk of loss shall be F.O.B. Our Factory, even in cases where freight may be prepaid or allowed to destination by Acopian. If equipment is received in damaged condition, it is the customer's responsibility to contact the carrier and file a claim for damages.

TIME FOR DELIVERY: The time for delivery quoted by Acopian is the time required to ship from our plants. We will not be liable for delays in delivery caused by any reason beyond our control, including but not limited to acts of God, casualty, civil disturbance, labor disputes, transportation or supply difficulties, or any interruption of our facilities, and the quoted time for delivery shall be extended during the continuance of such conditions and for a reasonable time thereafter. In no event will Acopian be liable for any premium transportation, procurement, or similar costs incurred by the Customer as a result of conditions beyond Acopian's control resulting in Acopian's inability to deliver product in accordance with customer's requested delivery schedules.

QUANTITY DISCOUNTS: Discounts are available to quantity buyers and are dependent upon the order quantity and the manufacturing scheduling anticipated by the order, and apply only to the quantity and delivery ordered. Partial shipments are considered as separate orders for discounting purposes.

EXPORT ORDERS: A minimum export documentation charge of \$60.00 applies. (A minimum charge of \$25.00 applies on orders requiring customs forms for Canadian orders and for orders to certain U.S. territories.)

MOISTURE/FUNGUS PROOFING: Power supplies can be furnished with a moisture and fungus resistant varnish applied to interior surfaces. To order, add the suffix letter F to the model number. The additional cost is \$25.00 per output and requires two additional days. Not available on High Voltage, Mini Encapsulated, Rack Mounting, and Gold Box Switching models.

TAGGING: Maximum of 15 characters/spaces. Add \$10.00 to price.

TEST DATA: Cost, \$35.00 or 2% of order, whichever is greater.

SPECIAL MODELS/MODIFICATIONS: Cataloged models can be altered at the factory to meet special requirements. Contact the Applications Engineering Department to discuss your needs.

PARTS: The designs used in Acopian power supplies utilize standard components to the greatest practical extent. When replacements are required, the types originally used, or their equivalents, can usually be obtained most quickly from a local electronic components distributor.

Special components, such as transformers, are stocked at the factory warehouses. Contact the Applications Engineering Department for information on the parts required, referencing the model number of the power supply, the circuit designation of the component, and a description.

PURCHASE ORDER ACCEPTANCE: Orders are accepted subject to Acopian's Terms and Conditions. Any Terms and Conditions of any Purchaser's order, agreement, or understanding which are in addition to or inconsistent with Acopian's shall not be binding upon Acopian unless made in writing and accepted over the signature of an authorized officer of Acopian. Orders shall not be considered accepted until entered into production at our plant. Acopian reserves the right to refuse any order. All typographical and clerical errors are subject to correction by Acopian.

RETURNED GOODS: Acopian products are built on a per-order basis, and ordinarily no credit can be extended for their return. No goods will be accepted for return unless authorized in writing by Acopian.

CHANGES: The customer may, by a written notice, request changes within the general scope of the order, in the drawings, designs or specifications; method of shipment; and place of delivery. If any such change causes an increase or decrease in the cost, or the time required for the processing of any part of the order, an equitable adjustment shall be made in the price or delivery schedule, or both, and the order shall be modified in writing accordingly.

CANCELLATION: Suspension or cancellation of orders may be made only upon our written approval and on terms that will indemnify us against all loss.

OVERTIME: It is anticipated that any order will be processed during regular working hours on regular working days. If for any reason the Purchaser requests Acopian to process the order, or any portion of it, outside of such regular working hours, any overtime or other additional expense occasioned thereby shall be billed to and paid by the Purchaser as an extra cost. Acopian reserves the right to decline to process the order outside regular working hours.

CUSTOMER DELAY OF WORK: If the performance of all or any part of the work is delayed or interrupted by Customer's failure to act within the time specified (or within a reasonable time if no time is specified) and such act is not expressed or implied by the order, an adjustment shall be made in the cost of performance of the order caused by such delay or interruption and the order modified in writing accordingly. Adjustment will also be made in the delivery or performance dates and any other contractual provisions affected by such delay or interruption.

GOVERNMENT SPECIFICATIONS: Pricing is based upon industrial-grade construction, marking, packing, and packaging. Exception is taken to any MIL specifications, and to any requirements for the use of special forms, documentation other than quoted, and Government Source Inspection. Acopian must decline to quote on any other basis.

APPLICATIONS ASSISTANCE: *Questions regarding the specifications, features, and use of any Acopian product should be directed to the Applications Engineering Department. A staff of power supply specialists will be pleased to assist you.*

www.acopian.com - Online Ordering and Instant Quotes Online!



Since 1957

Acopian Technical Company

P.O. Box 638, Easton, PA 18044 • Phone: (610) 258-5441 • FAX: (610) 258-2842

Call toll free: (800) 523-9478 (International: Country Code 01)

Artisan Technology Group - Quality Instrumentation ... Guaranteed | (888) 88-SOURCE | www.artisanTG.com

**ALL ACOPIAN
POWER SUPPLIES
MADE IN U.S.A.**



PHOTO COURTESY OF THE ICECUBE PROJECT

“At Project IceCube, it’s absolutely critical to have a good power supply. The ice must be as pure and clear as possible. If the power to the ice top sensor system were to fail, we would risk the tank water freezing without being controlled, resulting in bubbles and impurities, and very much reducing the quality of ice and quality of information that we can see with our detectors. We chose Acopian power supplies to power our pumping and degassing systems because of their reputation for reliability. The people at Acopian met all of our highly demanding specifications and, despite very little time until our window to ship to the Pole, they met our schedule. We were 100% satisfied.”

Jim Baccus
Cable System Manager
Project IceCube

(the international high-energy neutrino observatory being built and installed in the ice below South Pole Station)

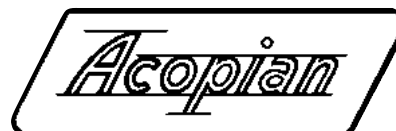
The world’s most demanding environments demand Acopian power systems.

Design your own Acopian power system online with the System Builder at www.acopian.com. Simply enter your requirements, and you’ll receive a quotation for fully wired multiple-output power systems, without the need for you to prepare mechanical layouts or search through a power supply catalog.

Each system will be completely wired, tested and shipped within 9 days after receipt of the order. Choose Acopian – the power supplies of choice for the world’s leading engineers.



ALL ACOPIAN POWER SUPPLIES
MADE IN U.S.A.



Acopian Technical Company

1-800-523-9478 • www.acopian.com



Artisan Technology Group is your source for quality new and certified-used/pre-owned equipment

- FAST SHIPPING AND DELIVERY
- TENS OF THOUSANDS OF IN-STOCK ITEMS
- EQUIPMENT DEMOS
- HUNDREDS OF MANUFACTURERS SUPPORTED
- LEASING/MONTHLY RENTALS
- ITAR CERTIFIED SECURE ASSET SOLUTIONS

SERVICE CENTER REPAIRS

Experienced engineers and technicians on staff at our full-service, in-house repair center

*InstraView*SM REMOTE INSPECTION

Remotely inspect equipment before purchasing with our interactive website at www.instraview.com ↗

WE BUY USED EQUIPMENT

Sell your excess, underutilized, and idle used equipment. We also offer credit for buy-backs and trade-ins. www.artisanng.com/WeBuyEquipment ↗

LOOKING FOR MORE INFORMATION?

Visit us on the web at www.artisanng.com ↗ for more information on price quotations, drivers, technical specifications, manuals, and documentation

Contact us: (888) 88-SOURCE | sales@artisanng.com | www.artisanng.com