



Artisan Technology Group is your source for quality new and certified-used/pre-owned equipment

- FAST SHIPPING AND DELIVERY
- TENS OF THOUSANDS OF IN-STOCK ITEMS
- EQUIPMENT DEMOS
- HUNDREDS OF MANUFACTURERS SUPPORTED
- LEASING/MONTHLY RENTALS
- ITAR CERTIFIED SECURE ASSET SOLUTIONS

SERVICE CENTER REPAIRS

Experienced engineers and technicians on staff at our full-service, in-house repair center

*InstraView*SM REMOTE INSPECTION

Remotely inspect equipment before purchasing with our interactive website at www.instraview.com ↗

WE BUY USED EQUIPMENT

Sell your excess, underutilized, and idle used equipment. We also offer credit for buy-backs and trade-ins. www.artisanng.com/WeBuyEquipment ↗

LOOKING FOR MORE INFORMATION?

Visit us on the web at www.artisanng.com ↗ for more information on price quotations, drivers, technical specifications, manuals, and documentation

Contact us: (888) 88-SOURCE | sales@artisanng.com | www.artisanng.com

XDS5 AND XDS10 SCROLL PUMPS

1
PAGE
26



The XDS pumps are an innovative new design which use a patented bearing shield to isolate the vacuum environment from all forms of lubricant, not only making it totally dry, but hermetically sealed. The shield also protects the bearing from any process vapors.

Adjustable gas ballast allows vapor to be handled and opens up the range of applications to many that were previously unsuited to scroll pumps.

The XDS-C range are designed for pumping condensable vapors and use materials selected for a wide range of laboratory wet chemistry applications.

APPLICATIONS

XDS

- Scanning electron microscopes
- Ion implanters (beamline and end stations)
- General clean pumping applications
- Sputtering
- Turbo pump backing
- Rare gas re-circulation

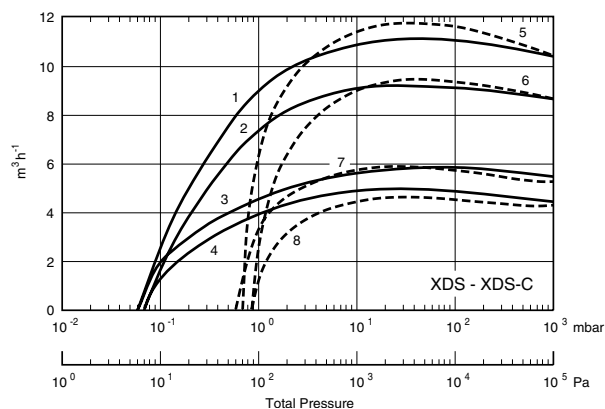
XDS-C

- Gel drying
- Rotary evaporation
- Centrifugal concentration
- Vacuum ovens
- Glove boxes

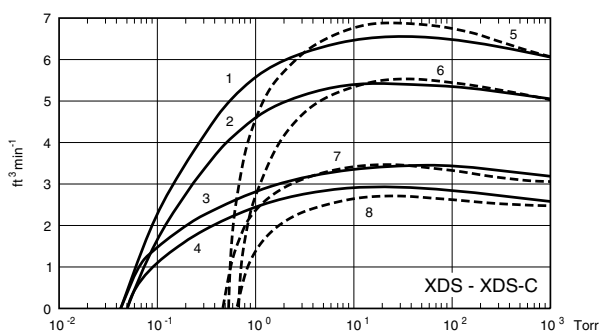
TECHNICAL DATA

	XDS5/5C	XDS10/10C
Displacement		
50 Hz operation	5.7 m ³ h ⁻¹ / 3.4 ft ³ min ⁻¹	11.3 m ³ h ⁻¹ / 6.7 ft ³ min ⁻¹
60 Hz operation	6.7 m ³ h ⁻¹ / 4.0 ft ³ min ⁻¹	13.4 m ³ h ⁻¹ / 7.9 ft ³ min ⁻¹
Peak pumping speed		
50 Hz operation	4.8 m ³ h ⁻¹ / 2.8 ft ³ min ⁻¹	9.3 m ³ h ⁻¹ / 5.5 ft ³ min ⁻¹
60 Hz operation	6.0 m ³ h ⁻¹ / 3.5 ft ³ min ⁻¹	11.1 m ³ h ⁻¹ / 6.5 ft ³ min ⁻¹
Ultimate vacuum (total pressure)		
"S" Scientific 50 Hz	7 × 10 ⁻² / 5.3 × 10 ⁻²	
60 Hz	6 × 10 ⁻² / 4.5 × 10 ⁻²	
"C" Chemical 50 Hz	9 × 10 ⁻¹ / 6.8 × 10 ⁻¹	
60 Hz	7 × 10 ⁻¹ / 5.3 × 10 ⁻¹	
Inlet connection	NW25	
Outlet connection	NW25	
Maximum allowed outlet pressure	1.0 bar gauge	
Maximum allowed inlet and gas ballast pressure	0.5 bar gauge	
Maximum water vapor inlet pressure	50 mbar / 38 Torr	35 mbar / 23 Torr
Maximum water vapor pumping rate		
Gas ballast low flow	70 g h ⁻¹	
Gas ballast high flow	>200 g h ⁻¹	

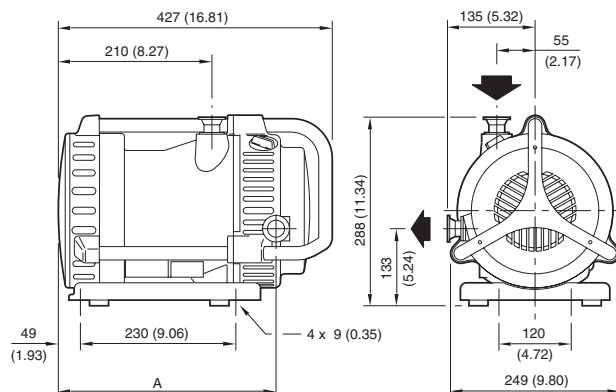
Motor power	0.3 kW	
Motor voltages		
1-phase 50 Hz	110 V or 220-240 V	
1-phase 60 Hz	115-120 V or 230-240 V	
3-phase 50 Hz	200-220 V or 380-415 V	
3-phase 60 Hz	200-230 V or 460 V	
Operating temperature range	5 – 40 °C	
Weight	23 kg (51 lb)	24.5 kg (54 lb)
Noise	55 dB (A) @ 50 Hz	
Vibration	<1.5 mms ⁻¹ (rms)	
Leak tightness (static)	<10 ⁻⁶ mbar l s ⁻¹	



1 60 Hz XDS10	2 50 Hz XDS10	3 60 Hz XDS5
4 50 Hz XDS5	5 60 Hz XDS10-C	6 50 Hz XDS10-C
7 60 Hz XDS5-C	8 50 Hz XDS5-C	



1 60 Hz XDS10	2 50 Hz XDS10	3 60 Hz XDS5
4 50 Hz XDS5	5 60 Hz XDS10-C	6 50 Hz XDS10-C
7 60 Hz XDS5-C	8 50 Hz XDS5-C	



Dimension reference A:
XDS10 = 315 mm
XDS5 = 297 mm

Shop online at www.bocedwards.com

ORDERING INFORMATION

PRODUCT DESCRIPTION	ORDERING NUMBER
XDSS	
1-phase 115/230 V (set to 115 V) for North America*	A72401906
1-phase 115/230 V (set to 230 V) for Europe & UK*	A72401903
1-phase 100/200 V (set to 200 V) for Japan*	A72401904
3-phase 200/380/415/460 V set to high volts	A72401905
XDSSC	
1-phase 115/230 V (set to 115 V) for North America*	A72501906
1-phase 115/230 V (set to 230 V) for Europe & UK*	A72501903
1-phase 100/200 V (set to 200 V) for Japan	A72501904
XDS10	
1-phase 115/230 V (set to 115 V) for North America*	A72601906
1-phase 115/230 V (set to 230 V) for Europe & UK*	A72601903
1-phase 100/200 V (set to 200 V) for Japan*	A72601904
3-phase 200/380/415/460 V set to high volts	A72601905
XDS10C	
1-phase 115/230 V (set to 115 V) for North America*	A72701906
1-phase 115/230 V (set to 230 V) for Europe & UK*	A72701903
1-phase 100/200 V (set to 200 V) for Japan	A72701904
* Use suitable cable for your country.	
ACCESSORIES	ORDERING NUMBER
Gas ballast adaptor (restricted flow)	A50626801
Exhaust silencer	A50597000
Silencer spares kit	A50597800
2 m electrical supply cable for 1-ph pumps	
UK, three-pin plug	A50505000
North European plug	A50506000
North America/Japan plug	A50507000
No plug	A50508000
SPARES	ORDERING NUMBER
Tip seal kit	A72601805

Shop online at www.bocedwards.com



Artisan Technology Group is your source for quality new and certified-used/pre-owned equipment

- FAST SHIPPING AND DELIVERY
- TENS OF THOUSANDS OF IN-STOCK ITEMS
- EQUIPMENT DEMOS
- HUNDREDS OF MANUFACTURERS SUPPORTED
- LEASING/MONTHLY RENTALS
- ITAR CERTIFIED SECURE ASSET SOLUTIONS

SERVICE CENTER REPAIRS

Experienced engineers and technicians on staff at our full-service, in-house repair center

*InstraView*SM REMOTE INSPECTION

Remotely inspect equipment before purchasing with our interactive website at www.instraview.com ↗

WE BUY USED EQUIPMENT

Sell your excess, underutilized, and idle used equipment. We also offer credit for buy-backs and trade-ins. www.artisanng.com/WeBuyEquipment ↗

LOOKING FOR MORE INFORMATION?

Visit us on the web at www.artisanng.com ↗ for more information on price quotations, drivers, technical specifications, manuals, and documentation

Contact us: (888) 88-SOURCE | sales@artisanng.com | www.artisanng.com