



Artisan Technology Group is your source for quality new and certified-used/pre-owned equipment

- FAST SHIPPING AND DELIVERY
- TENS OF THOUSANDS OF IN-STOCK ITEMS
- EQUIPMENT DEMOS
- HUNDREDS OF MANUFACTURERS SUPPORTED
- LEASING/MONTHLY RENTALS
- ITAR CERTIFIED SECURE ASSET SOLUTIONS

SERVICE CENTER REPAIRS

Experienced engineers and technicians on staff at our full-service, in-house repair center

*InstraView*SM REMOTE INSPECTION

Remotely inspect equipment before purchasing with our interactive website at www.instraview.com ↗

WE BUY USED EQUIPMENT

Sell your excess, underutilized, and idle used equipment. We also offer credit for buy-backs and trade-ins. www.artisanng.com/WeBuyEquipment ↗

LOOKING FOR MORE INFORMATION?

Visit us on the web at www.artisanng.com ↗ for more information on price quotations, drivers, technical specifications, manuals, and documentation

Contact us: (888) 88-SOURCE | sales@artisanng.com | www.artisanng.com

Transducers

New, Backward-Compatible 7200 and 3300 Proximitors® Packaging Means Lower Cost, Better Robustness

With the introduction of our 3300 XL proximity transducer system in 1999, one of the enhancements over previous versions was a completely redesigned physical package for the Proximitors® component. It not only performed better electrically, it looked entirely different: blue, tall and narrow instead of short and wide, and different connector styles. But the new look was not simply cosmetic – the revised physical packaging represented a number of advantages related to ease and cost of installation.

For a number of years, we have continued to supply 7200 5mm/8mm, 3300 5mm/8mm, and 3300 RAM Proximitors sensors in their original physical packaging; however, we specifically designed our new XL packaging to be backward compatible with the mounting dimensions and space occupied by previous 7200 and 3300 packages.

Today, we are eliminating these older mechanical packages altogether and will be providing 7200- and 3300-compatible Proximitors sensors in only the new XL-style packaging.

This new packaging design is completely backward compatible with existing 3300 and 7200 probes and extension cables, and uses the same mounting footprint of previous Proximitors designs.

If you use 5mm, 8mm, or RAM proximity transducers from either our 7200 or non-XL 3300 Series families, you'll find the remainder of the article to be of interest regarding how this change in packaging benefits you.



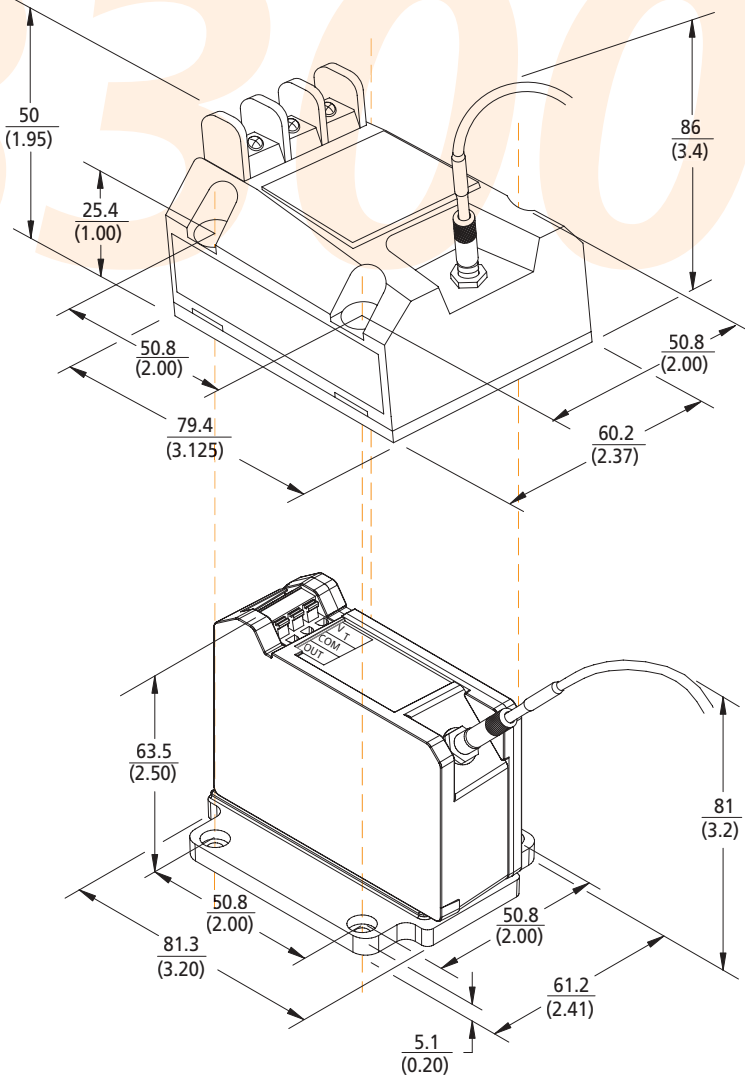
7200...

3300...

3300 XL

**3300 Proximitor® (part numbers 330100 and 330900)
Replaced by 3300 XL (part numbers 330180 and 330980)**

As noted on the previous page, our 3300 XL Proximitor sensor was designed to be electrically and mechanically interchangeable with non-XL Proximitor sensors. Although it looks different than the previous packaging, it can be used wherever the older package was used.



**THIS NEW XL
PACKAGING IS
COMPLETELY BACKWARD
COMPATIBLE WITH
EXISTING PROBES,
CABLES, AND PROXIMITOR
MOUNTINGS**

**PHYSICAL MOUNTING CHARACTERISTICS SHOWING
INTERCHANGEABILITY OF 330100 AND 330900 (TOP) WITH
330180 AND 330980 (BOTTOM) PROXIMITOR® SENSORS
WHEN 4-HOLE MOUNTING IS USED | FIG. 1**

3300 FAQs

WHEN WILL THIS CHANGE OCCUR?

The 330100 and 330900 (RAM) part numbers can continue to be ordered through August 1, 2004. After that date, orders will not be accepted. Customers must instead specify part numbers 330180 and 330980 respectively.

WHERE WILL THE NEW PACKAGE STYLE WORK?

The 330180 and 330980 are direct replacements for the 330100 and 330900 respectively. They will work wherever the previous versions were used (see Figure 1).

IS THIS SIMPLY THE OLD ELECTRONICS IN A NEW PHYSICAL PACKAGE?

No. The 330180 and 330980 have superior electrical and mechanical performance.

HOW IS THE NEW PART NUMBER ORDERED?

Simply insert the dash numbers from the old part into the new part number, and you will receive the correct item. For example, if you are using a 330100-50-00 (5 meter total cable length and no agency approvals), order part number 330180-50-00. The new parts also have additional options for DIN-rail mounting, not available with the 330100 or 330900.

ARE THERE ADVANTAGES TO USING THE NEW XL PACKAGE INSTEAD OF THE OLD?

Yes! The new packaging provides these important benefits:

✦ *DIN-rail or 4-hole mounting*

This provides more flexibility when installing. New installations will often benefit from the ease of simply snapping the Proximito sensor onto a DIN rail. Existing installations where a 4-hole Proximito sensor is being replaced can use the 4-hole mounting plate supplied with the 330180 and 330980.



DIN rail...

✦ *Better reliability*

While the 330100 and 330900 were very reliable, and hundreds of thousands have been supplied, the 330180 and 330980 are designed to be even more robust.



or 4-hole mounting

✦ *SpringLoc wiring connections*

Connecting the Proximito® sensor to field wiring no longer requires spade or ring lugs. Simply strip the wire, twist the strands (solder tinning may also be used if desired), and insert into the spring-loaded clamp. This new connection method has proven to be more reliable and helps ensure wiring won't vibrate loose – as can sometime be the case with screw-type terminal strips.



SpringLoc wiring connectors

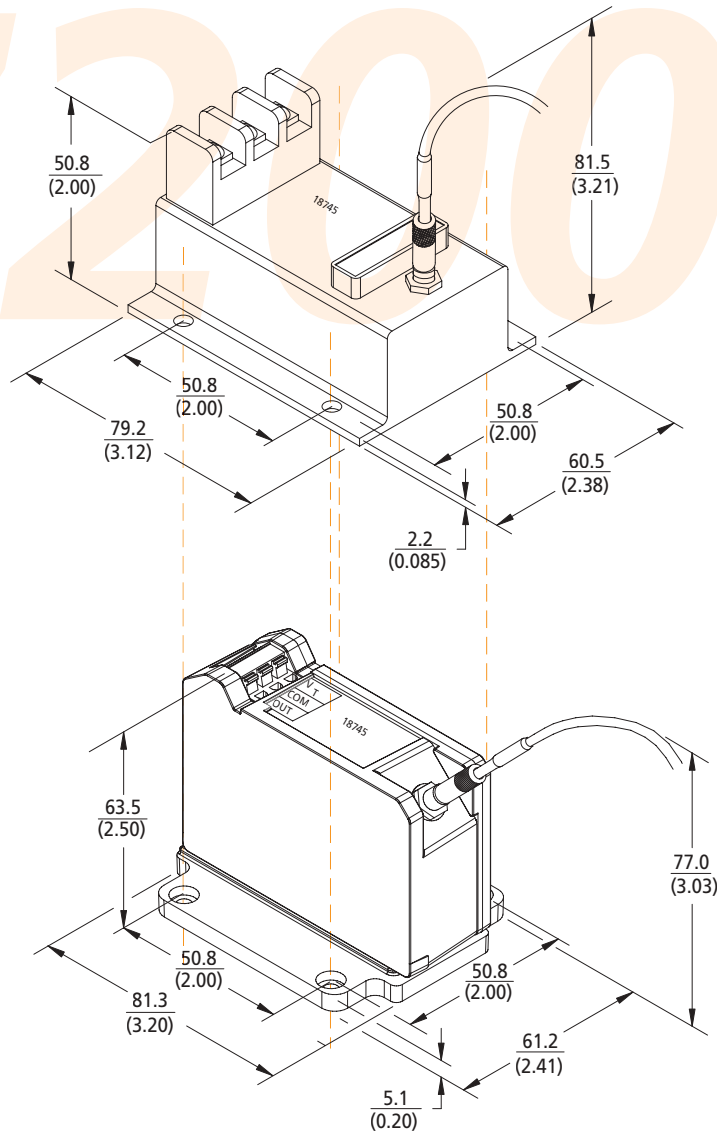
✦ *Less susceptible to EMI / RFI*

The new XL package provides better shielding and is less susceptible to Electromagnetic and Radio Frequency Interference (EMI and RFI), an important consideration for facilities using portable two-way radios, cell phones, and other devices that emit EMI and RFI.

✦ *ClickLoc™ Connectors*

The co-axial connectors used between probes, extension cables, and 3300 XL Proximito sensors use an innovative ClickLoc™ design. It "ratchets" into place under normal finger tightening and cannot vibrate loose, yet can be easily removed using just your fingers – no wrenches required. The result is easier, more convenient installation and maintenance. Previous designs (such as the 330100) required that customers use a small wrench to tighten connections one-quarter turn past finger tight.

7200 Series 5mm/8mm Proximator® Sensor – Same Part Number, New Package



We continue to fully support our 7200 series 5mm/8mm transducer systems. Hundreds of thousands of these transducer systems have been supplied to customers globally since introduced over 30 years ago, and these transducers continue to be compatible not only with older monitoring systems such as 7200, 2201, and 3300, but also with newer systems including 3500 and 1701.

While we advocate the use of our newer, less expensive, and technically superior 3300 XL transducers for all new installations, we understand the importance of supporting these older 7200 transducer installations. Bently Nevada has recently re-packaged the Proximator portion of the 7200 5mm/8mm transducer system to provide an ATEX-compliant offering. However, the new package also provides other benefits as well, while remaining 100% backwards compatible with existing 7200 probes, cables, and Proximator mountings.

**WE CONTINUE TO
FULLY SUPPORT
OUR 7200 SERIES
5MM/8MM
TRANSDUCER
SYSTEMS**

PHYSICAL MOUNTING CHARACTERISTICS SHOWING INTERCHANGEABILITY OF OLD (TOP) AND NEW (BOTTOM) 18745 PROXIMATOR® SENSORS WHEN 4- HOLE MOUNTING IS USED | FIG. 2

7200 FAQs

WHEN WILL THIS CHANGE OCCUR?

The change has already occurred. Effective June, 2003, Bently Nevada began shipping only the new package style.

IS THERE A CHANGE TO THE PART NUMBER?

No. Simply order part number 18745 (with applicable dash options) as you normally would. The product you receive will look different than the older package style, but will be electrically and mechanically interchangeable.

DOES THE NEW PACKAGE PROVIDE ENHANCED ELECTRICAL PERFORMANCE?

No. The probe and cable perform the same under both the new XL-style packaging as with the older packaging design.

WHERE WILL THE NEW PACKAGE STYLE WORK?

The new packaging is completely interchangeable with the old, both mechanically (see Figure 2) and electrically.

WHAT ARE THE ADVANTAGES OF THIS NEW PACKAGE?

✦ ATEX compliance

The new XL-style 18745 Proximitorsensor is fully compliant with ATEX Directive 94/9/EC (for more about ATEX, see our companion article on page 20).

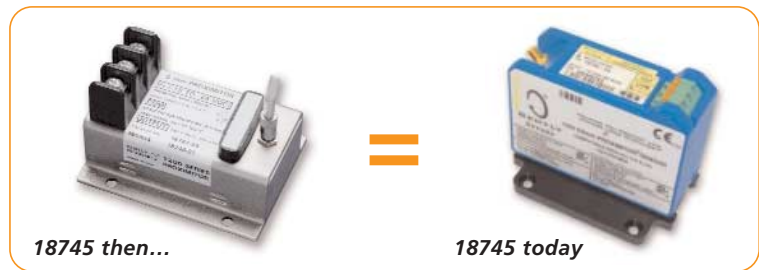
✦ SpringLoc wiring connections

Connecting the Proximitorsensor to field wiring no longer requires spade or ring lugs. Simply strip the wire, twist the strands (solder tinning may also be used if desired), and insert into the spring-loaded clamp. This new connection method has proven to be more reliable and helps ensure wiring won't vibrate loose – as can sometime be the case with screw-type terminal strips.



✦ Less susceptible to EMI / RFI

The new XL-style package provides better shielding and is less susceptible to Electro-magnetic and Radio Frequency Interference (EMI and RFI), an important consideration for facilities using portable two-way radios, cell phones, and other devices that emit EMI and RFI.



We are confident that these changes will benefit all customers currently using the older Proximitorsensor designs for 7200 and 3300 5mm and 8mm probes, and have taken extra care to ensure true “drop in” replacement ease while simultaneously introducing important enhancements. For additional information, contact your nearest Bently Nevada sales professional. ↷



Artisan Technology Group is your source for quality new and certified-used/pre-owned equipment

- FAST SHIPPING AND DELIVERY
- TENS OF THOUSANDS OF IN-STOCK ITEMS
- EQUIPMENT DEMOS
- HUNDREDS OF MANUFACTURERS SUPPORTED
- LEASING/MONTHLY RENTALS
- ITAR CERTIFIED SECURE ASSET SOLUTIONS

SERVICE CENTER REPAIRS

Experienced engineers and technicians on staff at our full-service, in-house repair center

*InstraView*SM REMOTE INSPECTION

Remotely inspect equipment before purchasing with our interactive website at www.instraview.com ↗

WE BUY USED EQUIPMENT

Sell your excess, underutilized, and idle used equipment. We also offer credit for buy-backs and trade-ins. www.artisanng.com/WeBuyEquipment ↗

LOOKING FOR MORE INFORMATION?

Visit us on the web at www.artisanng.com ↗ for more information on price quotations, drivers, technical specifications, manuals, and documentation

Contact us: (888) 88-SOURCE | sales@artisanng.com | www.artisanng.com