



Artisan Technology Group is your source for quality new and certified-used/pre-owned equipment

- FAST SHIPPING AND DELIVERY
- TENS OF THOUSANDS OF IN-STOCK ITEMS
- EQUIPMENT DEMOS
- HUNDREDS OF MANUFACTURERS SUPPORTED
- LEASING/MONTHLY RENTALS
- ITAR CERTIFIED SECURE ASSET SOLUTIONS

SERVICE CENTER REPAIRS

Experienced engineers and technicians on staff at our full-service, in-house repair center

*InstraView*SM REMOTE INSPECTION

Remotely inspect equipment before purchasing with our interactive website at www.instraview.com ↗

WE BUY USED EQUIPMENT

Sell your excess, underutilized, and idle used equipment. We also offer credit for buy-backs and trade-ins. www.artisanng.com/WeBuyEquipment ↗

LOOKING FOR MORE INFORMATION?

Visit us on the web at www.artisanng.com ↗ for more information on price quotations, drivers, technical specifications, manuals, and documentation

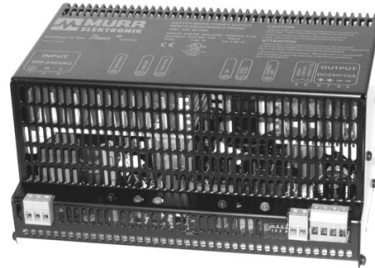
Contact us: (888) 88-SOURCE | sales@artisanng.com | www.artisanng.com

MPS Power supply 1-phase, primary switched IN: 95-132VAC OUT: 22-28V/10ADC

Input voltage: 95...132 V AC

Output voltage: 22...28 V DC

Current: 10 A

Image

– Units decoupling through diode block at parallel usage.

– Single-phase, primary switched

– stable output voltage, short-circuit and overload protected

– touch protected acc. to (EN 60529) IP20

Approvals**Input**

Input voltage	95...132 V AC
Input current	4.2 A
Primary fusing	max. 10 A
Frequency	50/60 Hz

Output

Output voltage	24 V DC (SELV), $\pm 1\%$; 22...28 V adjustable
Nominal output current	10 A (+60 °C); 12 A (+40 °C)
Efficiency	0.9
Mains failure bridging	$>= 10$ ms (115 V AC)
Ripple	≤ 20 mV eff
Spikes	≤ 100 mV ss
Protection	short-circuit and overload protected, pre-warning and switching-off when overheated or overloaded, signaling over alarm output
LED display	LED (green) = in operation; LED (red) = off; LED (yellow) = Pre-warning when overheated or overloaded
Parallel usage/serial usage	yes/yes
Alarm output	electronic relay max. 60 V DC/0.2 A, group alarm for all failures and pre-warnings, quit via the green reset button

General data

Standards	(EN 60950-1), (EN 61204-3), (EN 55022 B)
Temperature range	0...+60 °C (storage temperature -25...+85 °C)
Mounting method	for DIN rail mounting (TH35) acc. to EN 60715, additional plate for screw mounting Art. No. 89500
Relative humidity	5...95 %, no condensation
Weight	1.7 kg
Dimensions H x W x D	132 x 198 x 97 mm

All data on this data sheet was compiled carefully.

Liability regarding correctness, completeness, and actuality is limited to gross negligence. Created: 03/09

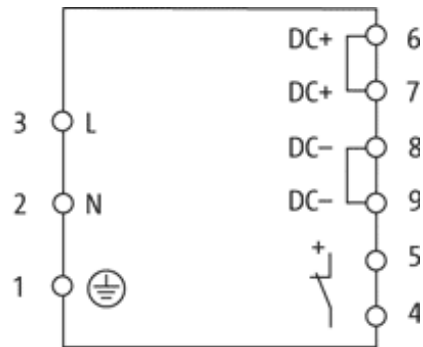
Commercial data

Gross weight	1855
Net weight	1855
Weight unit	gram
Basic unit	pc.
Customs tariff number	85044081
Unit (piece)	1
Limited value	1

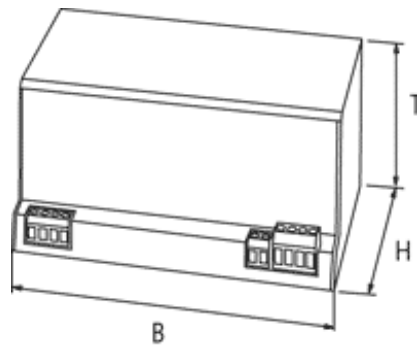
Comments

Units decoupling through diode block at parallel usage.

Circuit diagram



Dimension drawing





Artisan Technology Group is your source for quality new and certified-used/pre-owned equipment

- FAST SHIPPING AND DELIVERY
- TENS OF THOUSANDS OF IN-STOCK ITEMS
- EQUIPMENT DEMOS
- HUNDREDS OF MANUFACTURERS SUPPORTED
- LEASING/MONTHLY RENTALS
- ITAR CERTIFIED SECURE ASSET SOLUTIONS

SERVICE CENTER REPAIRS

Experienced engineers and technicians on staff at our full-service, in-house repair center

*InstraView*SM REMOTE INSPECTION

Remotely inspect equipment before purchasing with our interactive website at www.instraview.com ↗

WE BUY USED EQUIPMENT

Sell your excess, underutilized, and idle used equipment. We also offer credit for buy-backs and trade-ins. www.artisanng.com/WeBuyEquipment ↗

LOOKING FOR MORE INFORMATION?

Visit us on the web at www.artisanng.com ↗ for more information on price quotations, drivers, technical specifications, manuals, and documentation

Contact us: (888) 88-SOURCE | sales@artisanng.com | www.artisanng.com