



Artisan Technology Group is your source for quality new and certified-used/pre-owned equipment

- FAST SHIPPING AND DELIVERY
- TENS OF THOUSANDS OF IN-STOCK ITEMS
- EQUIPMENT DEMOS
- HUNDREDS OF MANUFACTURERS SUPPORTED
- LEASING/MONTHLY RENTALS
- ITAR CERTIFIED SECURE ASSET SOLUTIONS

SERVICE CENTER REPAIRS

Experienced engineers and technicians on staff at our full-service, in-house repair center

*InstraView*SM REMOTE INSPECTION

Remotely inspect equipment before purchasing with our interactive website at www.instraview.com ↗

WE BUY USED EQUIPMENT

Sell your excess, underutilized, and idle used equipment. We also offer credit for buy-backs and trade-ins. www.artisanng.com/WeBuyEquipment ↗

LOOKING FOR MORE INFORMATION?

Visit us on the web at www.artisanng.com ↗ for more information on price quotations, drivers, technical specifications, manuals, and documentation

Contact us: (888) 88-SOURCE | sales@artisanng.com | www.artisanng.com

Summary

The PCI-4SIP Module provides a Full PCI performance flexible I/O scheme, that supports industry standard Industry Packs. Choose from over a 100 different Industry Packs from Alphi Tech and others. For application requiring low cost, high density I/O or unique combinations, the PCI-4SIP is the perfect solution.

For a complete list of Industry Packs offered by Alphi Technology please visit our WEB site at www.alphitech.com

Available Drivers :

- Labview
- Linux
- Window XP



PCI-4SIP

3U – PCI MODULE SLAVE DUAL INDUSTRY PACK CARRIER

Board Features:

Bus Interface via AMCC 5935
 Bus speed 33MHz
 Full PCI form factor

Industry Pack Specifications:

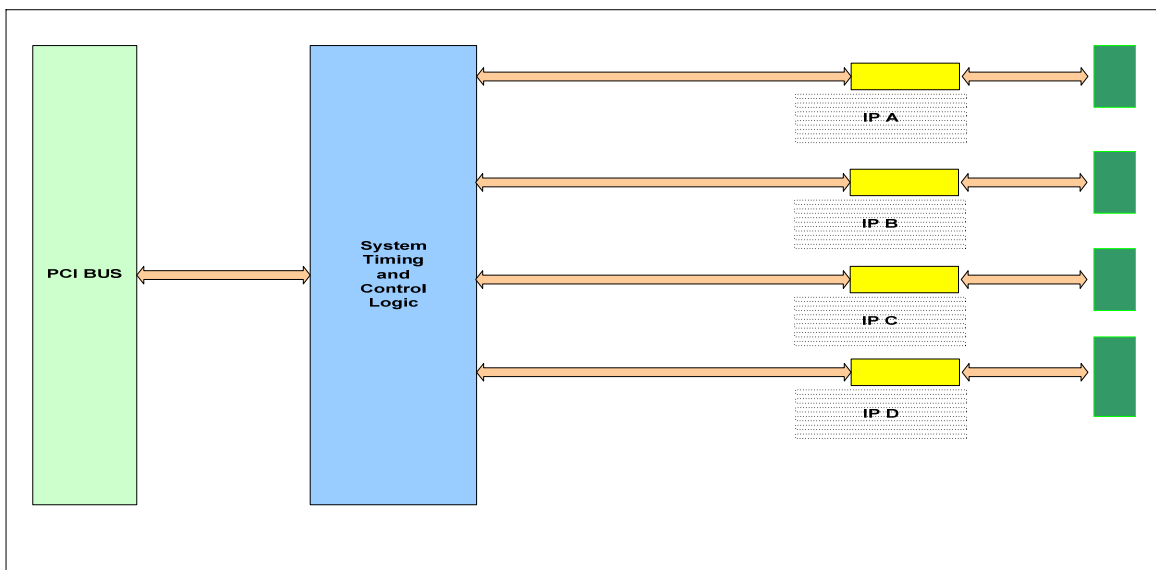
Quad Industry Pack Sites
 Meets ANSI Vita 4
 8/32 MHz operation
 Support ID, I/O, Int. & mem spaces
 2 Interrupts
 Hardware self timed per IP module
 Triggered via system reset and software control
 Jumper or software time-out function
 5, +/-12 volt reset-able fuse per IP
 8/16 bit data

PCI Bus:

PCI Bus Interface 5 Volt
 AMCC 5935 33 MHz 32-bit, PCI r2.2 compliant

I/O panel connectors:

2 Front Panel I/O connectors
 2 Rear Panel I/O connectors
 (4) X 50 pin 0.5mm Header



Functional Block Diagram

Mechanical & Environmental

- Operating temp. 0 to +55 °C
- Airflow requirement: 10 CFM
- Humidity: 5 to 90% (non-cond.)
- Altitude: 0 to 10'000 ft
- Full size PCI card
- Front panel I/O
- Power: +5v 1 amp, +12v 1 amp
- Vib.: 0.5G RMS 20-2KHz rand
- Shock: 20 G, 11 ms, ½ sine
- Weight: 1 lbs
- MTBF: >172000 hour

Ordering Information

PCI-4SIP	3U PCI Slave Industry Pack Carrier
CBL-50-HDR	50 pin header cable
TB-50-HDR	Terminal Block

Alphi Technology Corporation
 6202 South Maple Ave, Suite 120
 Tempe, Arizona 85283, USA
 Tel: (480) 838 2428
 Fax: (480) 838 4477

For ordering information: sales@alphitech.com Please visit our web site at www.alphitech.com

Products mentioned are trademarks or registered trademarks of their respective holders. Alphi Technology believes this information is accurate as of its publication date and is not responsible for any inadvertent errors. The information contained herein is subject to change without notice. Copyright © 2005 Alphi Technology Corp. document number: 718-0-001-4100 rev.p



Artisan Technology Group is your source for quality new and certified-used/pre-owned equipment

- FAST SHIPPING AND DELIVERY
- TENS OF THOUSANDS OF IN-STOCK ITEMS
- EQUIPMENT DEMOS
- HUNDREDS OF MANUFACTURERS SUPPORTED
- LEASING/MONTHLY RENTALS
- ITAR CERTIFIED SECURE ASSET SOLUTIONS

SERVICE CENTER REPAIRS

Experienced engineers and technicians on staff at our full-service, in-house repair center

*InstraView*SM REMOTE INSPECTION

Remotely inspect equipment before purchasing with our interactive website at www.instraview.com ↗

WE BUY USED EQUIPMENT

Sell your excess, underutilized, and idle used equipment. We also offer credit for buy-backs and trade-ins. www.artisanng.com/WeBuyEquipment ↗

LOOKING FOR MORE INFORMATION?

Visit us on the web at www.artisanng.com ↗ for more information on price quotations, drivers, technical specifications, manuals, and documentation

Contact us: (888) 88-SOURCE | sales@artisanng.com | www.artisanng.com