



Artisan Technology Group is your source for quality new and certified-used/pre-owned equipment

- FAST SHIPPING AND DELIVERY
- TENS OF THOUSANDS OF IN-STOCK ITEMS
- EQUIPMENT DEMOS
- HUNDREDS OF MANUFACTURERS SUPPORTED
- LEASING/MONTHLY RENTALS
- ITAR CERTIFIED SECURE ASSET SOLUTIONS

SERVICE CENTER REPAIRS

Experienced engineers and technicians on staff at our full-service, in-house repair center

*InstraView*SM REMOTE INSPECTION

Remotely inspect equipment before purchasing with our interactive website at www.instraview.com ↗

WE BUY USED EQUIPMENT

Sell your excess, underutilized, and idle used equipment. We also offer credit for buy-backs and trade-ins. www.artisanng.com/WeBuyEquipment ↗

LOOKING FOR MORE INFORMATION?

Visit us on the web at www.artisanng.com ↗ for more information on price quotations, drivers, technical specifications, manuals, and documentation

Contact us: (888) 88-SOURCE | sales@artisanng.com | www.artisanng.com

F7 - 3U Pentium® III CompactPCI® Workstation

Equipped with a Celeron™ or Pentium III processor, the F7 is a powerful 3U CPU board, well suited for any CompactPCI system.

The board is provided with the 810 chip set, which contains an embedded graphics controller. The DVI interface allows for attachment of both advanced and legacy flat-panel displays and CRT monitors. The onboard USB port is a universal interface to a variety of peripheral devices (such as keyboard, mouse, printer, modem, or video camera). For high-speed networking, the F7 features a 10/100Mbit/s Fast Ethernet interface. All connections mentioned above are conveniently available at the card's front panel.

For mass storage, the F7 provides an Ultra ATA 66 connector, suitable for any EIDE hard disk and CD-ROM drive. An onboard CompactFlash slot allows use of silicon disks. The jumperless board can be used with a front-side bus clock of up to 133MHz.

Equipped with a PCI-bridge chip, the F7 offers a full CompactPCI interface for reliable system expansion. Last but not least, the F7's General Software BIOS was especially designed for embedded system applications.

[Description](#) [Tech Data](#) [Diagram](#) [Ordering Info](#) [PDF Download](#) [Back to CompactPCI](#)

Technical Data

CompactPCI Bus:

- 3U CompactPCI CPU board rev. 3.0 compliant
- 32-bit CompactPCI system slot functionality with 7 possible external loads due to PCI-to-PCI bridge
- PCI-to-PCI bridge
- single-slot solution
- V(I/O): +5V (+3.3V optional)

CPU:

- Celeron or Pentium III
- up to 133MHz host frequency
- socket 370

Graphics:

- integrated VGA graphics controller and TFT support
 - connection at front panel

Memory:

- 32 to 256 MB DRAM
 - one 144-pin SO-DIMM socket for 1Mx64 to 32Mx64 synchronous DRAM modules
 - up to 133MHz memory bus frequency
- CompactFlash™ interface (true IDE)

Interfaces:

- full-duplex 10/100Mbit/s PCI Ethernet controller
 - 82559 controller
 - 100Base-TX/10Base-T RJ45 interface at front panel
- USB (Universal Serial Bus) interface
 - conforming to Open HCI 1.0a
 - at front panel

PXI:

- three trigger lines compliant with PXI Spec. R1.0

Mass Storage:

- fast IDE ports
 - one IDE hard-disk/CD-ROM port via ribbon cable connector Ultra ATA 66
 - one IDE port for local CompactFlash

Miscellaneous:

- battery-backed real-time clock
- integrated hardware monitor
- reset button at front panel

Electrical Specifications:

- supply voltage/power consumption:
 - +5V: 4.85V..5.25V @ tbd.
 - +3.3V: 3.0V..3.6V @ tbd.
- MTBF: tbd. @ 50°C

Mechanical Specifications:

- dimensions: conforming to CompactPCI specification for 3U boards

- weight: 230g

Environmental Specifications:

- temperature range (operation): 0..+60°C
(industrial temperature range on request)
- temperature range (storage): -40..+85°C
- relative humidity (operation): max. 95% non-condensing
- relative humidity (storage): max. 95% non-condensing
- altitude: -300m to + 3,000m
- shock: 15g/0.33ms, 6g/6ms
- vibration: 1g/5..2,000Hz

Safety:

- PCB manufactured with a flammability rating of 94V-0 by UL recognized manufacturers

EMC:

- tested according to IEC1000-4-2 (ESD) and IEC1000-4-4 (burst) with regard to CE conformity

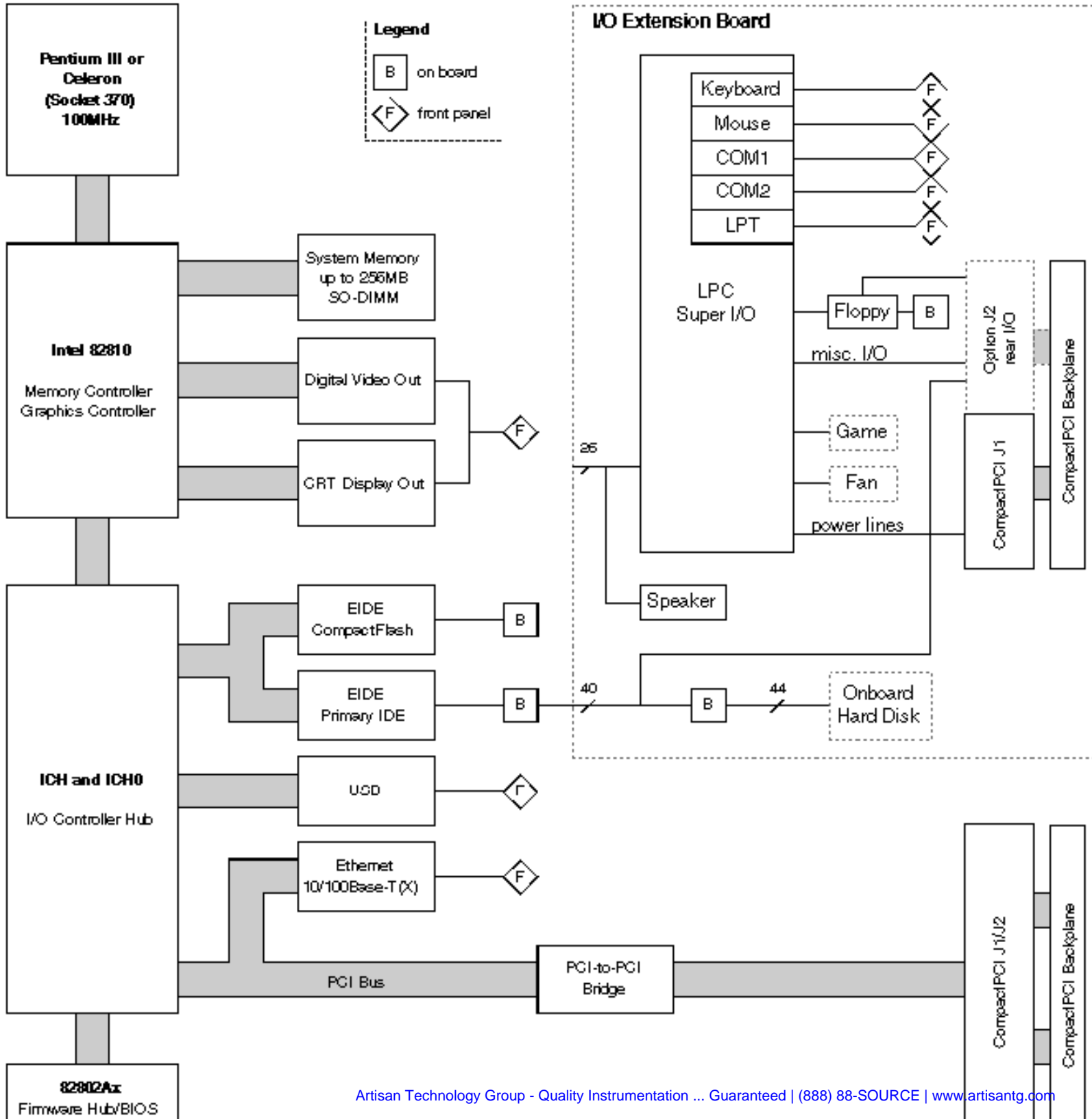
Software Support:

- Plug and Play BIOS for industrial applications
- WindowsNT®
- VxWorks®

[Description](#) [Tech Data](#) [Diagram](#) [Ordering Info](#) [PDF Download](#) [Back to CompactPCI](#)



Block Diagram





Ordering Information

Standard Hardware

02F007-00	F7, CompactPCI 3U, single board computer, Celeron 600MHz, 0MB DRAM, 100Mbit Ethernet, DVI graphics, 0..+60°C
02F007-01	F7, CompactPCI 3U, single board computer, Celeron 600MHz, 64MB DRAM, 100Mbit Ethernet, DVI graphics, -40..+85°C
02F007-02	F7, CompactPCI 3U, single board computer, Pentium III 850MHz, 0MB DRAM, 100Mbit Ethernet, DVI graphics, 0..+45°C

Accessories

05F007-00	I/O Extension for F7, keyboard, mouse, serial, parallel, floppy, 3U/8HP (F7 system slot right), 0..+60°C
05F007-01	I/O Extension for F7, keyboard, mouse, serial, parallel, floppy, 3U/8HP (F7 system slot right), -40..+85°C
0751-0001	CompactFlash 32MB ATA/true IDE
0752-0011	64MB SDRAM SO-DIMM 3.3V, 100MHz, ultra small
0752-0012	128MB SDRAM SO-DIMM 3.3V, 100MHz, ultra small

Basic System

0701-0009	CompactPCI 19" 3U rack-mount enclosure, 3U 7-slot CompactPCI backplane, ATX power supply
-----------	--

EIDE, floppy and CD-ROM drives are delivered as requested.

Different rack sizes, power supplies and backplanes (3U/6U, J1..J5) on request.

Software

10ABMX-08	Microsoft Windows NT 4.0: workstation license, German OEM version, CD-ROM and manual
10ABMX-09	Microsoft Windows NT 4.0: workstation license, English OEM version, CD-ROM and manual

User Manuals

20F007-00	F7 user manual
-----------	----------------



Send comments on this website to webmaster@men.de

Get further info on MEN from info@men.de

© 1997-2000 by MEN GmbH. All rights reserved.





Artisan Technology Group is your source for quality new and certified-used/pre-owned equipment

- FAST SHIPPING AND DELIVERY
- TENS OF THOUSANDS OF IN-STOCK ITEMS
- EQUIPMENT DEMOS
- HUNDREDS OF MANUFACTURERS SUPPORTED
- LEASING/MONTHLY RENTALS
- ITAR CERTIFIED SECURE ASSET SOLUTIONS

SERVICE CENTER REPAIRS

Experienced engineers and technicians on staff at our full-service, in-house repair center

*InstraView*SM REMOTE INSPECTION

Remotely inspect equipment before purchasing with our interactive website at www.instraview.com ↗

WE BUY USED EQUIPMENT

Sell your excess, underutilized, and idle used equipment. We also offer credit for buy-backs and trade-ins. www.artisanng.com/WeBuyEquipment ↗

LOOKING FOR MORE INFORMATION?

Visit us on the web at www.artisanng.com ↗ for more information on price quotations, drivers, technical specifications, manuals, and documentation

Contact us: (888) 88-SOURCE | sales@artisanng.com | www.artisanng.com