



Artisan Technology Group is your source for quality new and certified-used/pre-owned equipment

- FAST SHIPPING AND DELIVERY
- TENS OF THOUSANDS OF IN-STOCK ITEMS
- EQUIPMENT DEMOS
- HUNDREDS OF MANUFACTURERS SUPPORTED
- LEASING/MONTHLY RENTALS
- ITAR CERTIFIED SECURE ASSET SOLUTIONS

SERVICE CENTER REPAIRS

Experienced engineers and technicians on staff at our full-service, in-house repair center

*InstraView*SM REMOTE INSPECTION

Remotely inspect equipment before purchasing with our interactive website at www.instraview.com ↗

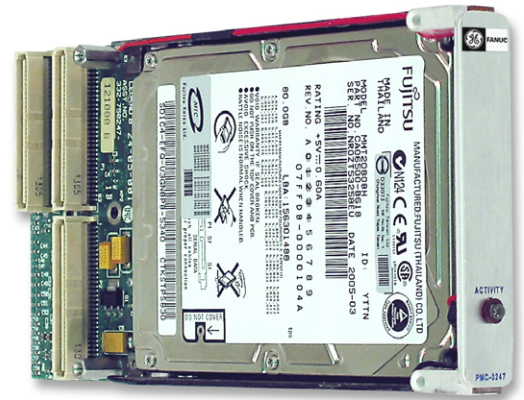
WE BUY USED EQUIPMENT

Sell your excess, underutilized, and idle used equipment. We also offer credit for buy-backs and trade-ins. www.artisanng.com/WeBuyEquipment ↗

LOOKING FOR MORE INFORMATION?

Visit us on the web at www.artisanng.com ↗ for more information on price quotations, drivers, technical specifications, manuals, and documentation

Contact us: (888) 88-SOURCE | sales@artisanng.com | www.artisanng.com



PMC-0247RC

PMC Serial ATA Hard Disk Drive Module

Features

- Offers Enterprise Class storage for Embedded Computing
- 5-year HDD Product Lifecycle available for specified rotating media
- Standard and continuous operation drives (24x7, 8760 hours/year)
- Extended shock and vibration option for maximum robustness
- Extreme altitude operation possible up to 16,400 feet available
- Support for SATA II 300 MByte/s interfaces
- Support for a programmable external flash for BIOS expansion
- Supports 32/64-bit, 133 MHz maximum PCI-X interface
- Rotating Media with 80 GByte, 120 GByte and 160 GByte capacities (see ordering options)
- Solid state drives with 16, 32 and 64 GByte capacities (contact factory)
- Compliant with VITA 39 Specification
- Operating system support for Windows® 2000, Windows XP, Red Hat Linux® Enterprise 4.0, and VxWorks® versions 5.4/5.5
- RoHS compliant

The PMC-0247RC is a Serial ATA hard disk drive module in PMC form factor, designed for use with single board computers with a PMC site and carrier boards from GE Fanuc Intelligent Platforms and other third party manufacturers. Universal signaling support allows installing the modules in any available 3.3 V or 5.0 V PMC site. The PMC-0247RC uses a 2.5 inch hard disk drive and has a maximum capacity of 160 GBytes.



PMC-0247RC PMC Serial ATA Hard Disk Drive Module

Specifications

Form Factor

- PMC

Power Requirements

- Supplied through the PMC site connectors on the host
- Power requirements are drive-dependent

Environmental

Operating Temperature

- SATA standard operation: +5 to +55 C
- SATA continuous operation: +5 to +40 C
- SATA Solid State: 0 to +70 C

Storage Temperature

-40 to +85 C

Relative Humidity

5% to 95%, noncondensing

MTBF

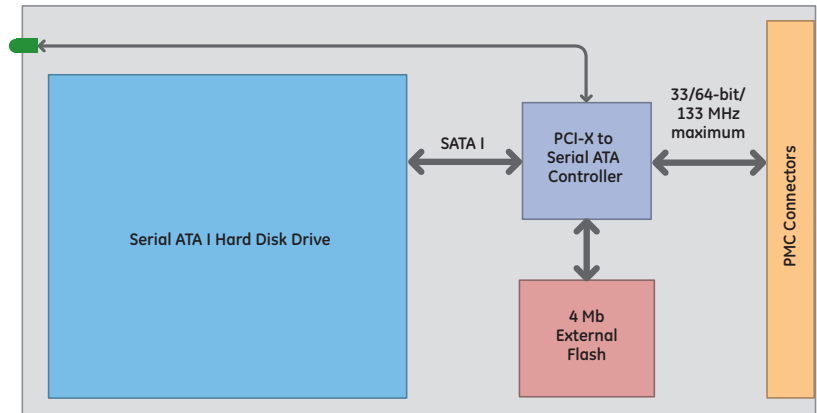
- 452,149 hours standard operation
- 282,149 hours continuous operation

Regulatory

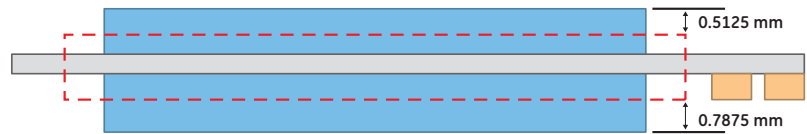
The PMC-0247RC has been tested to and found to meet the requirements of the following standards.

- European Union (CE Mark)
 - EN55024
 - EN55022 Radiated Emissions Class A
 - EN61000-4-2 (ESD)
 - EN61000-4-3 (Radiated Immunity)
 - EN61000-4-8 (Power Frequency Magnetic Fields)
- United States
 - FCC Part 15, Class A
- Canada
 - ICES-003, Class A
- RoHS 6/6: European Community Directive 2002/95/EC

Block Diagram



Side View



NOTE: The PMC-0247RC violates the PMC specification for top and bottom maximum component height by 0.5125 mm and 0.7875 mm respectively.

Ordering Information

PMC-0247RC - ABCDEF

A = SATA Interface

2 = SATA II (3.0 Gb/s)

B = Hard Disk Drive Capacity

2 = 80 GB HDD
 3 = 160 GB HDD (5400 RPM)
 4 = Reserved
 5 = 120 GB HDD (5400 RPM)
 6 = 120 GB HDD (7200 RPM)
 7 = 160 GB HDD (7200 RPM)

C = Operating Mode

1 = Standard mode
 2 = Extended duty

D = Solid State Drive

0 = No SSD
 1 = 16 GB SSD
 2 = 32 GB SSD
 3 = 64 GB SSD

E, F = 0 (Options reserved for future use)

About GE Fanuc Intelligent Platforms

GE Fanuc Intelligent Platforms, a joint venture between General Electric Company (NYSE: GE) and FANUC LTD of Japan, is an experienced high-performance technology company and a global provider of hard-ware, software, services, and expertise in automation and embedded computing. We offer a unique foundation of agile, advanced and ultra-reliable technology that provides customers a sustainable advantage in the industries they serve, including energy, water, consumer packaged goods, government & defense, and telecommunications. GE Fanuc Intelligent Platforms is a worldwide company headquartered in Charlottesville, VA and is part of GE Enterprise Solutions. For more information, visit www.gefanuc.com.

GE Fanuc Intelligent Platforms Information Centers

Americas:
 1 800 322 3616 or 1 256 880 0444

Asia Pacific:
 +81 3 5544 3973

EMEA:
 Germany: +49 821 5034-0
 UK: + 44 1327 359444

Additional Resources

For more information, please visit the GE Fanuc Intelligent Platforms web site at:

www.gefanuc.com



©2009 GE Fanuc Intelligent Platforms, Inc. All rights reserved.
 All other brands or names are property of their respective holders.
 Specifications are subject to change without notice.

03.09 GFA-794



Artisan Technology Group is your source for quality new and certified-used/pre-owned equipment

- FAST SHIPPING AND DELIVERY
- TENS OF THOUSANDS OF IN-STOCK ITEMS
- EQUIPMENT DEMOS
- HUNDREDS OF MANUFACTURERS SUPPORTED
- LEASING/MONTHLY RENTALS
- ITAR CERTIFIED SECURE ASSET SOLUTIONS

SERVICE CENTER REPAIRS

Experienced engineers and technicians on staff at our full-service, in-house repair center

*InstraView*SM REMOTE INSPECTION

Remotely inspect equipment before purchasing with our interactive website at www.instraview.com ↗

WE BUY USED EQUIPMENT

Sell your excess, underutilized, and idle used equipment. We also offer credit for buy-backs and trade-ins. www.artisanng.com/WeBuyEquipment ↗

LOOKING FOR MORE INFORMATION?

Visit us on the web at www.artisanng.com ↗ for more information on price quotations, drivers, technical specifications, manuals, and documentation

Contact us: (888) 88-SOURCE | sales@artisanng.com | www.artisanng.com