



Artisan Technology Group is your source for quality new and certified-used/pre-owned equipment

- FAST SHIPPING AND DELIVERY
- TENS OF THOUSANDS OF IN-STOCK ITEMS
- EQUIPMENT DEMOS
- HUNDREDS OF MANUFACTURERS SUPPORTED
- LEASING/MONTHLY RENTALS
- ITAR CERTIFIED SECURE ASSET SOLUTIONS

SERVICE CENTER REPAIRS

Experienced engineers and technicians on staff at our full-service, in-house repair center

*InstraView*SM REMOTE INSPECTION

Remotely inspect equipment before purchasing with our interactive website at www.instraview.com ↗

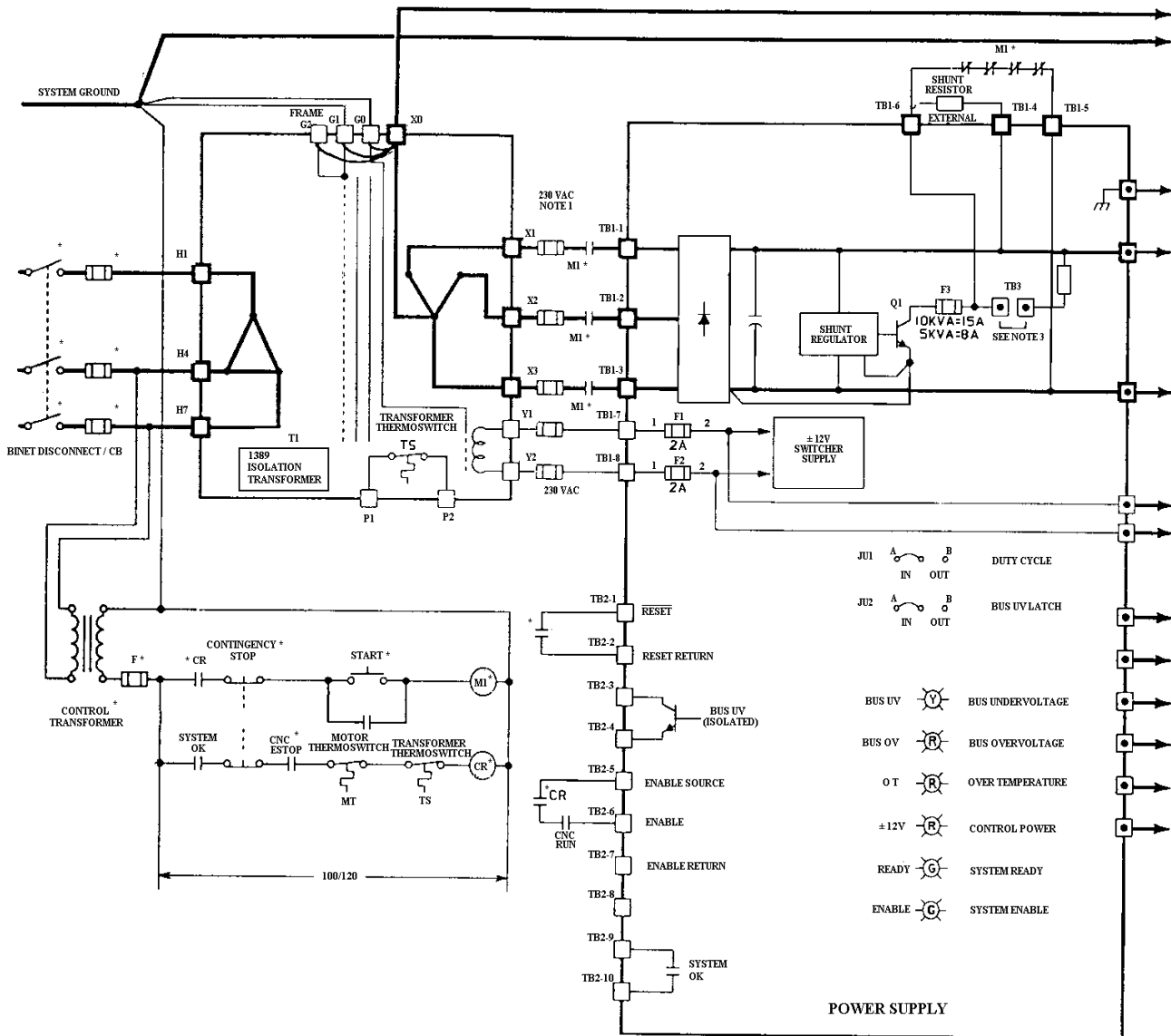
WE BUY USED EQUIPMENT

Sell your excess, underutilized, and idle used equipment. We also offer credit for buy-backs and trade-ins. www.artisanng.com/WeBuyEquipment ↗

LOOKING FOR MORE INFORMATION?

Visit us on the web at www.artisanng.com ↗ for more information on price quotations, drivers, technical specifications, manuals, and documentation

Contact us: (888) 88-SOURCE | sales@artisanng.com | www.artisanng.com

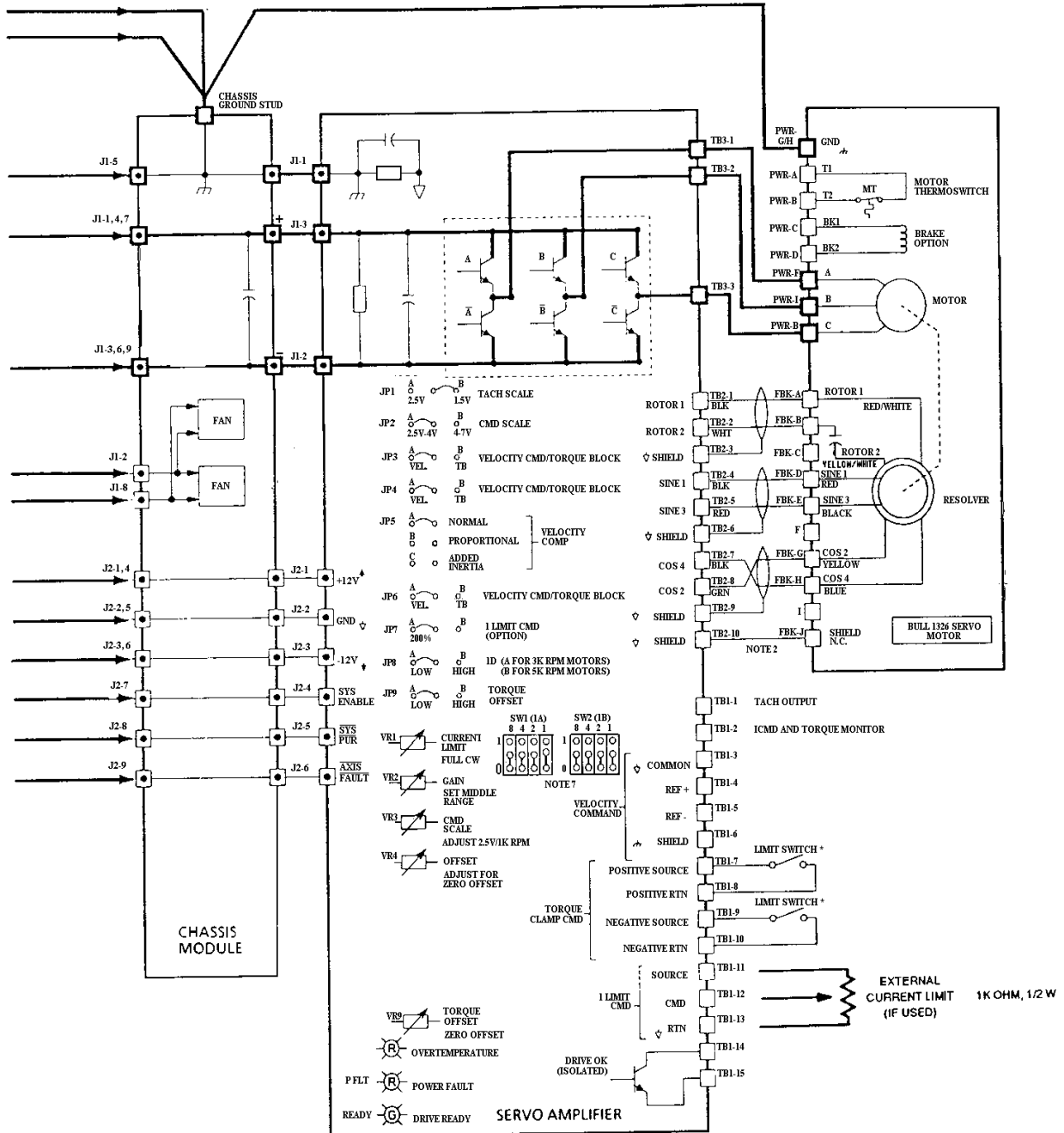


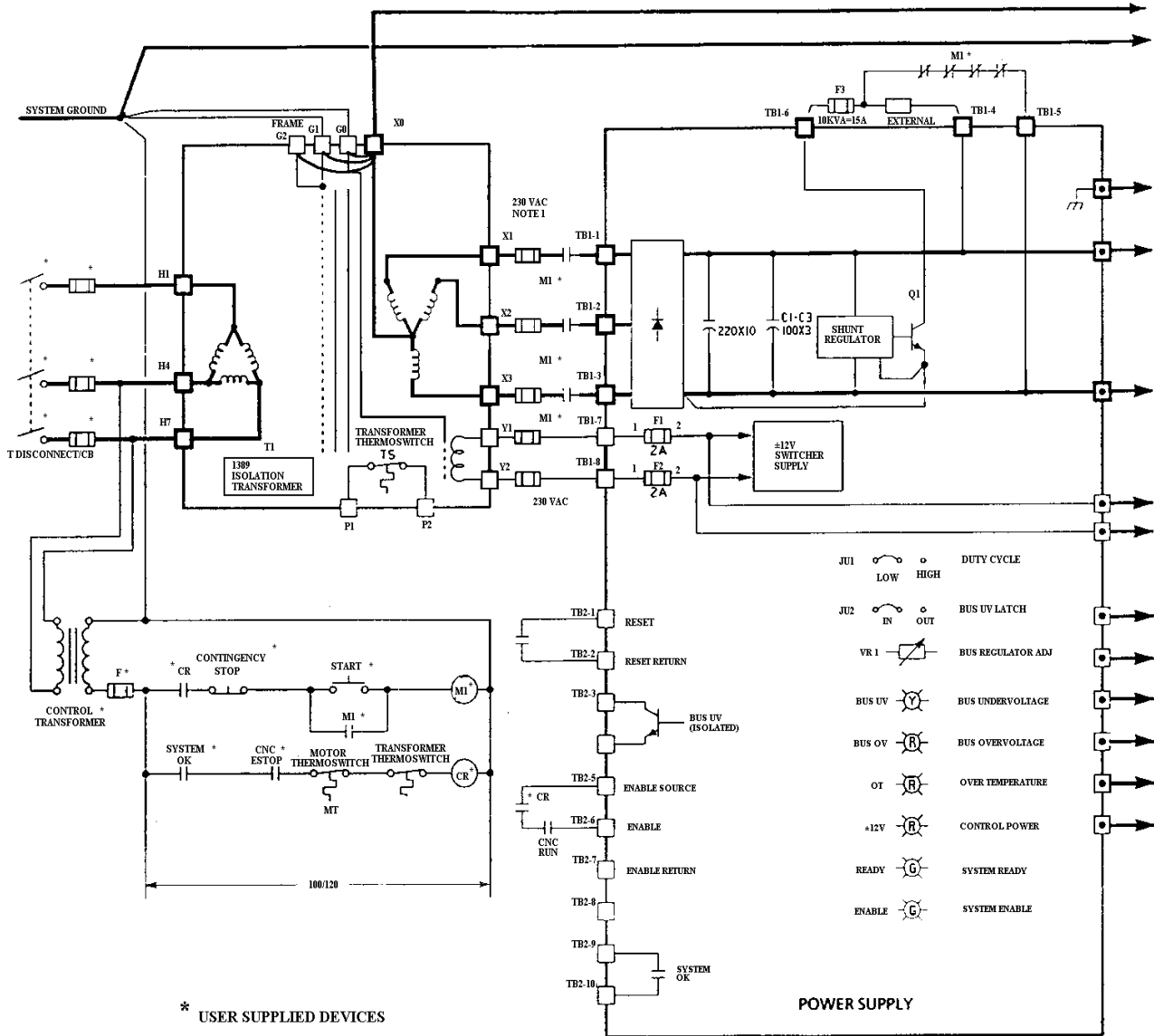
NOTE 3 - 4.5 AND 9A -DISCONNECT FOR EXTERNAL SHUNT RESISTOR
17A-NOT APPLICABLE

* USER SUPPLIED DEVICES

Allen - Bradley

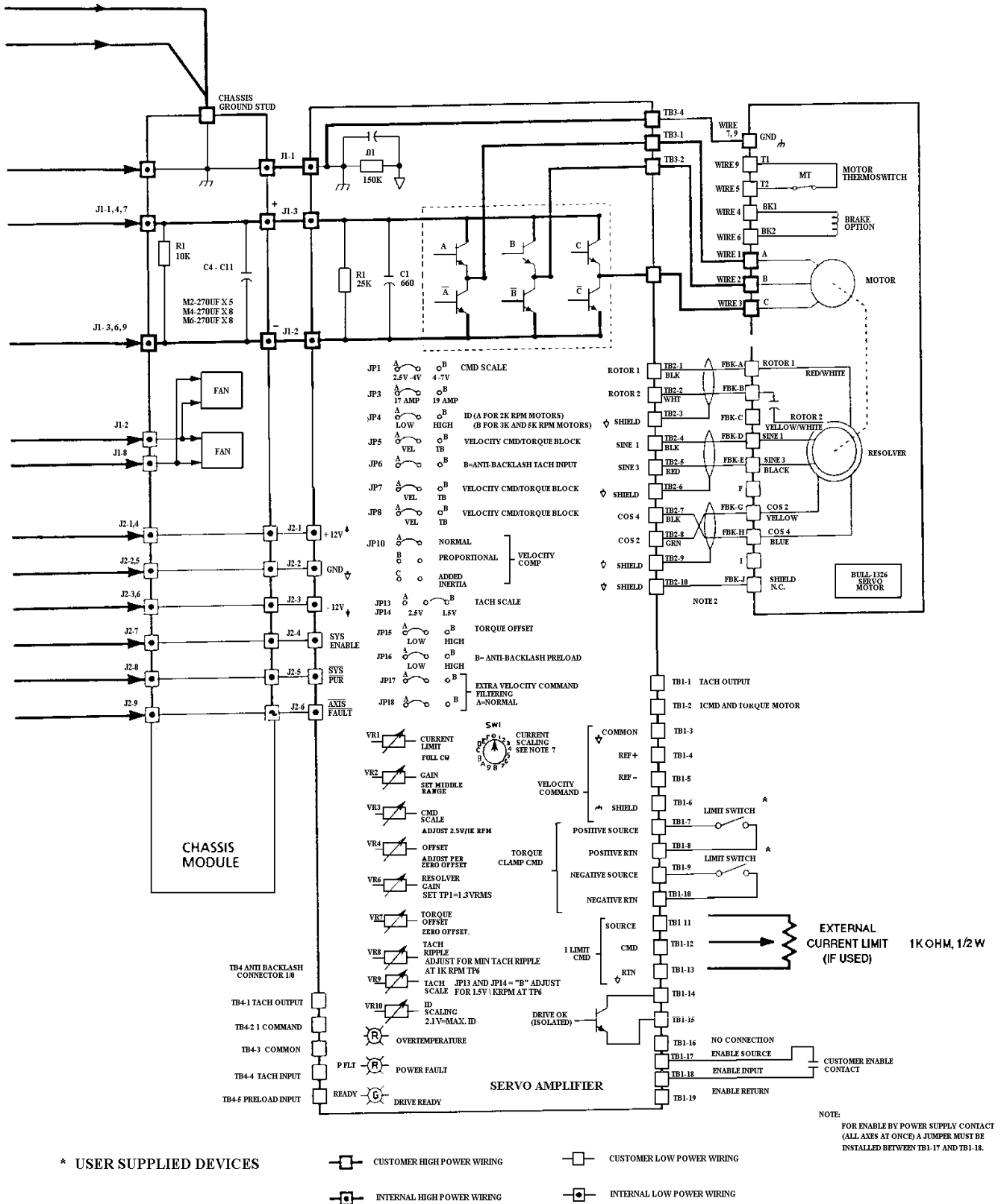
1389 CONNECTION GUIDE



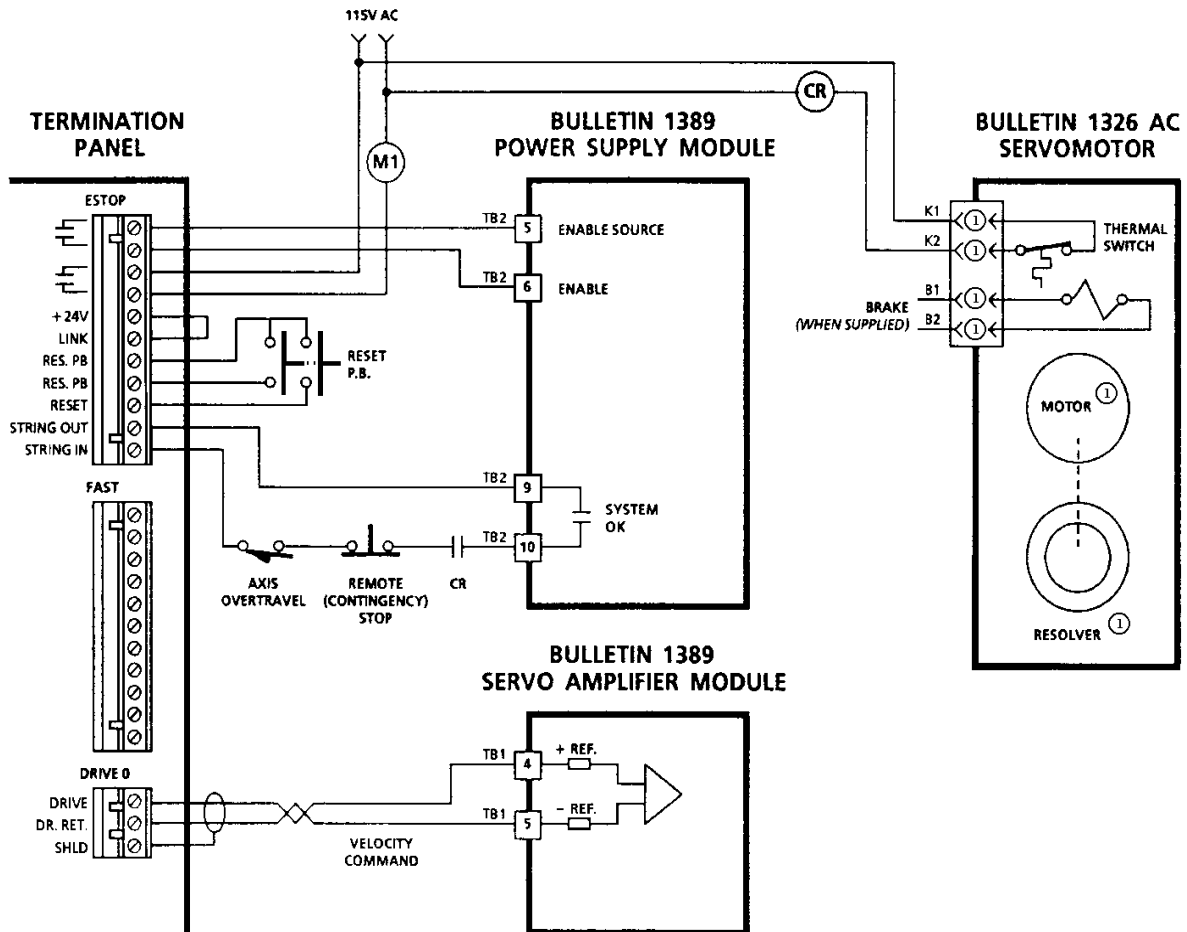


Allen - Bradley

1389 CONNECTION GUIDE



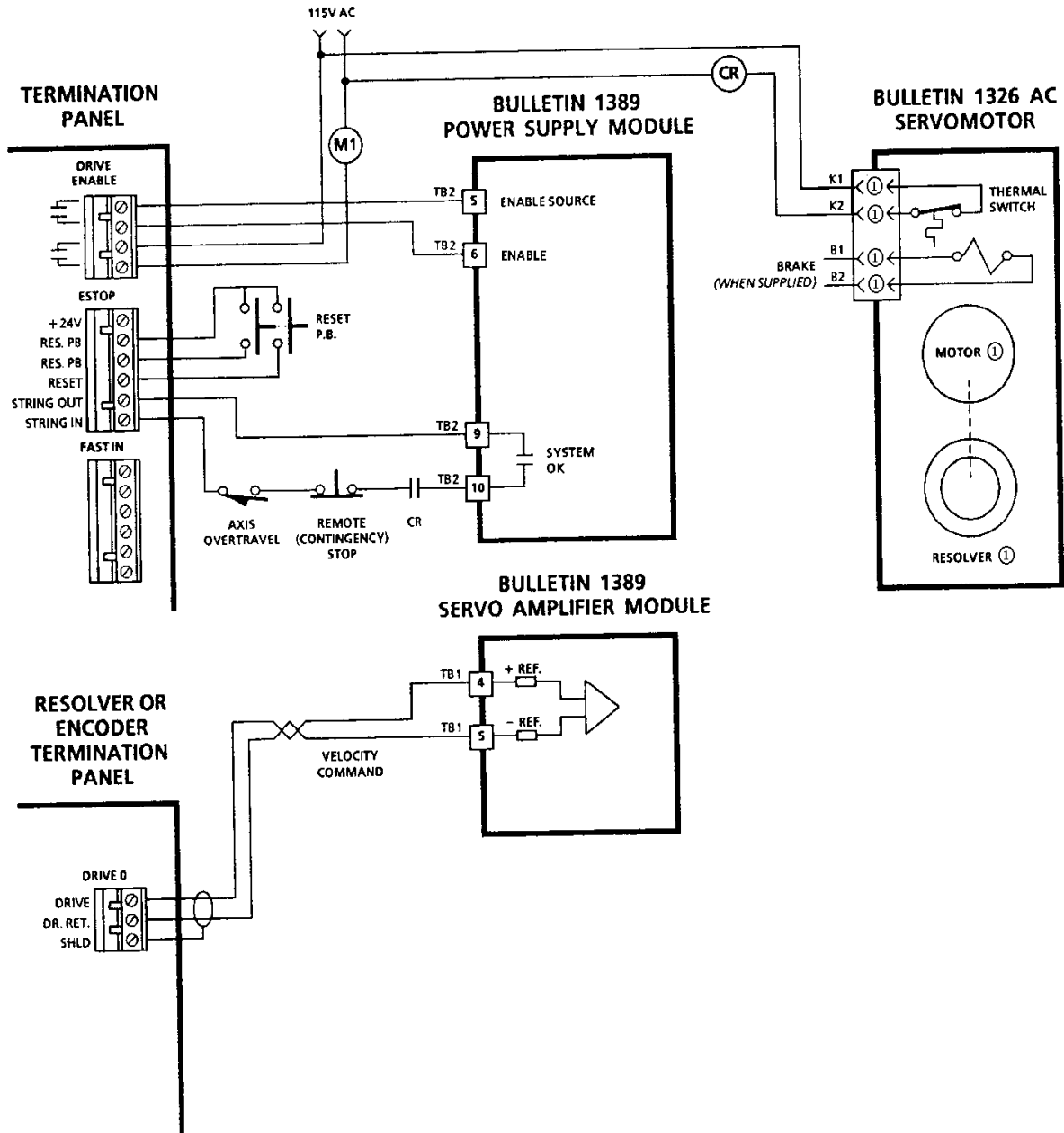
TYPICAL IMC 120, 120AR INTERCONNECT DIAGRAM



① REFER TO THE BULLETIN 1389 INTERCONNECT DRAWING FOR DETAILS ON THE FOLLOWING:

- MOTOR/RESOLVER CONNECTIONS
- CONNECTOR DESIGNATIONS
- CABLES
- SHIELDS AND GROUNDING

TYPICAL IMC 121, 123 INTERCONNECT DIAGRAM

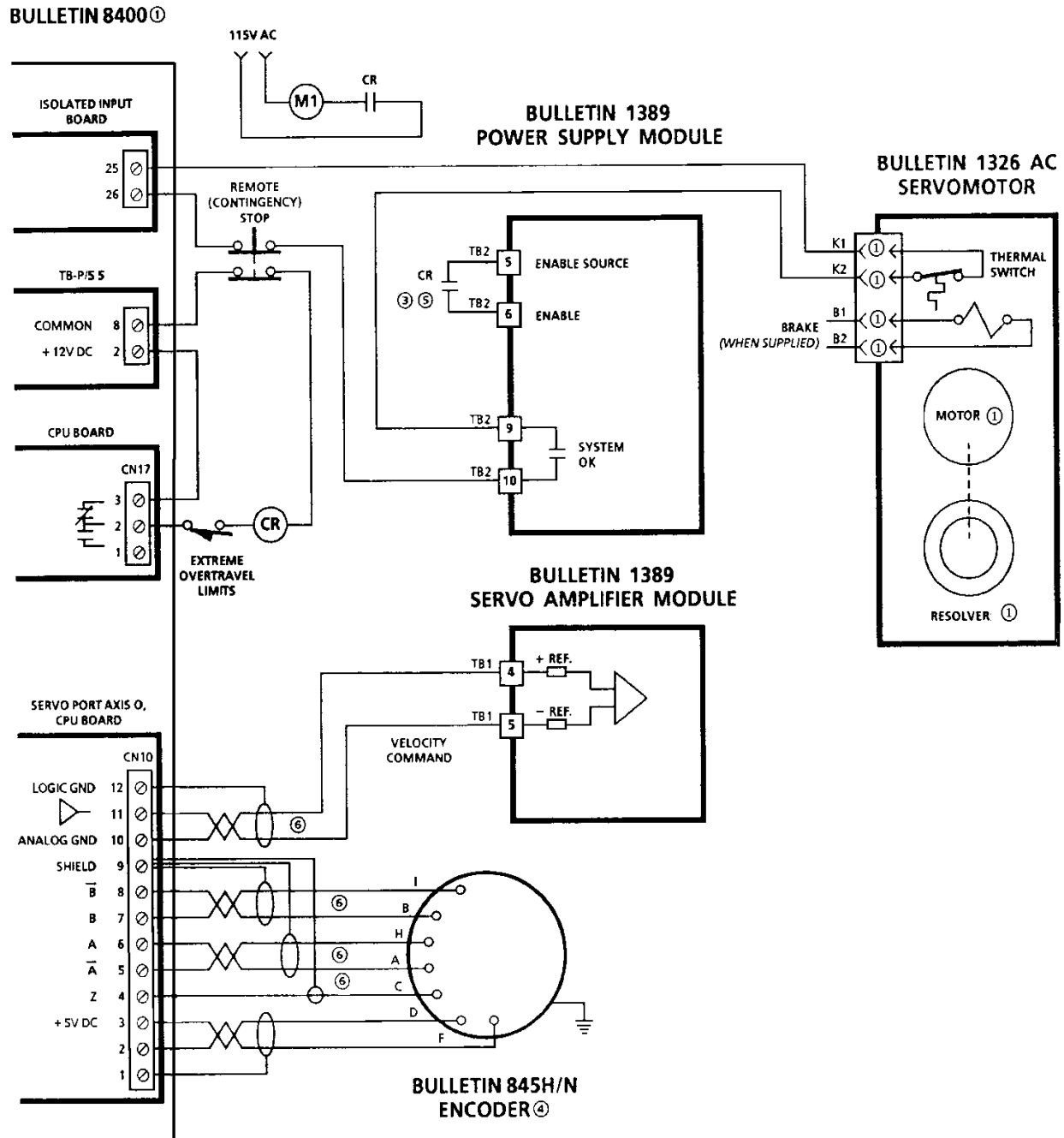


① REFER TO THE BULLETIN 1389 INTERCONNECT DRAWING FOR DETAILS ON THE FOLLOWING.

- MOTOR/RESOLVER CONNECTIONS
- CONNECTOR DESIGNATIONS
- CABLES
- SHIELDS AND GROUNDING

1389 CONNECTION GUIDE

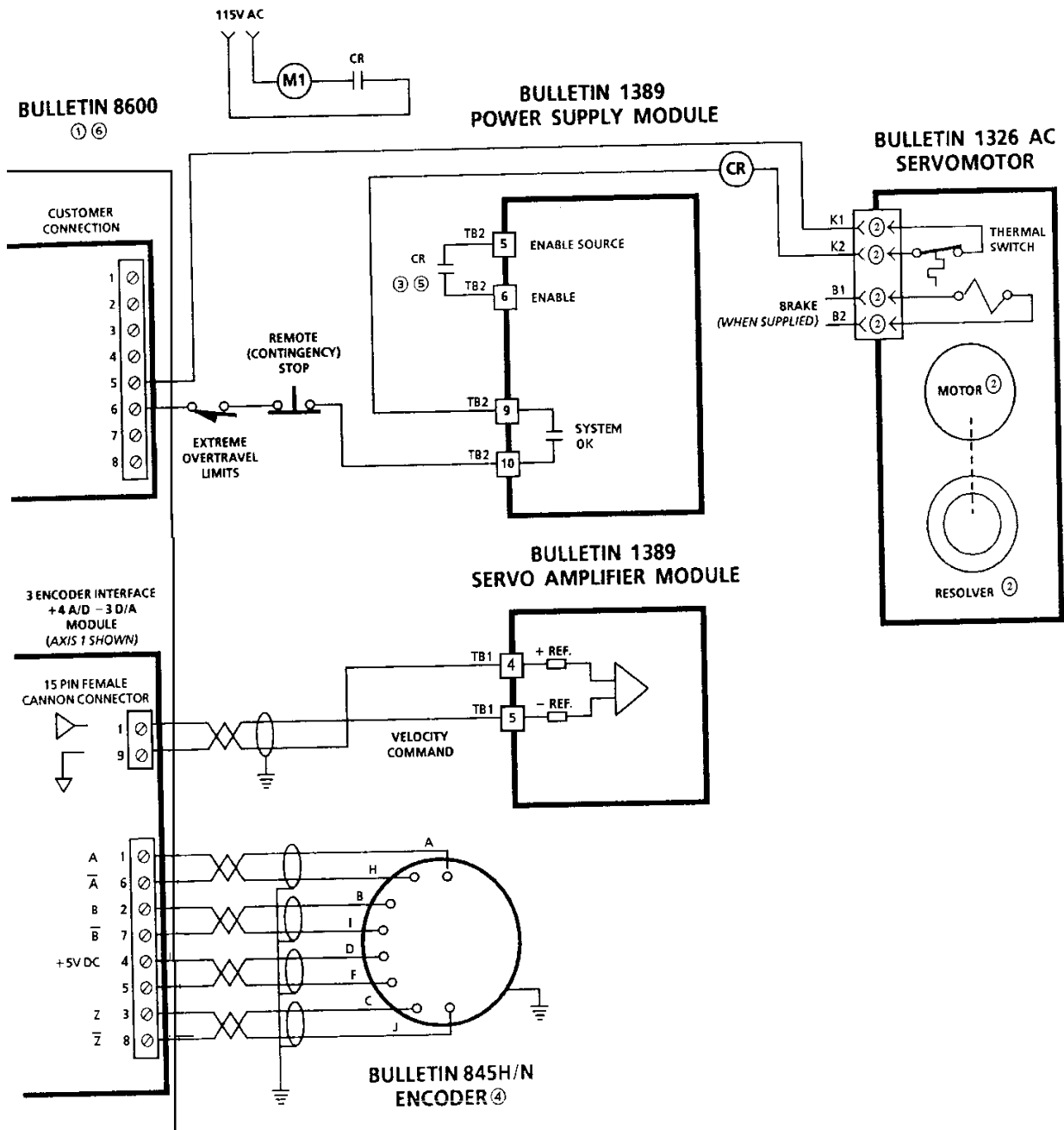
TYPICAL 8400 SERIES CNC INTERCONNECT DIAGRAM



- ① REFER TO A-B PUBLICATION 8400-4.1, SERIES 8400 CNC INTERFACE DESIGN MANUAL FOR DETAILS.
- ② REFER TO THE BULLETIN 1389 INTERCONNECT DRAWING FOR DETAILS ON THE FOLLOWING:
• MOTOR/RESOLVER CONNECTIONS • CONNECTOR DESIGNATIONS • CABLES • SHIELDS AND GROUNDING
- ③ RELAY IS SHOWN AS TYPICAL ONLY. BULLETIN 1389 CAN BE ENABLED WITHOUT AN EXTERNAL RELAY.
- ④ TYPICALLY DIFFERENTIAL LINE DRIVER OUTPUT.
- ⑤ A-B CATALOG NUMBER 700-HC14Z12 (RELAY) AND 700-HN103 (MOUNTED BASE).
- ⑥ BELDEN 9730 OR EQUIVALENT, 50 FEET (15.2 METERS) MAXIMUM, SHIELDS GROUNDED AT CONTROL ONLY.

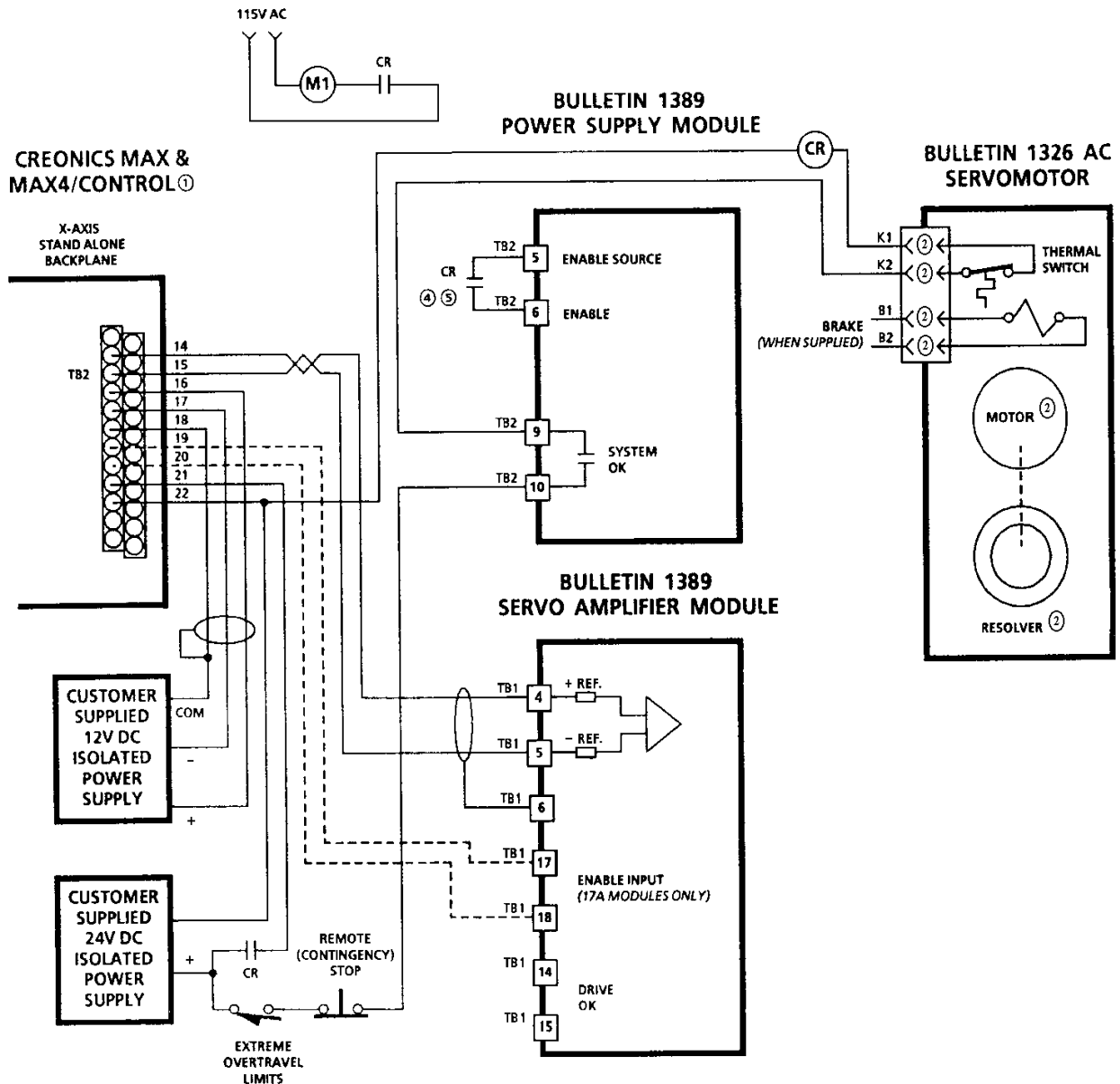
1389 CONNECTION GUIDE

TYPICAL 8600 SERIES CNC INTERCONNECT DIAGRAM



- ① REFER TO A-8 PUBLICATION 8600-4.1, SERIES 8600 CNC INTERFACE DESIGN MANUAL FOR DETAILS.
- ② REFER TO THE BULLETIN 1389 INTERCONNECT DRAWING FOR DETAILS ON THE FOLLOWING:
• MOTOR/RESOLVER CONNECTIONS • CONNECTOR DESIGNATIONS • CABLES • SHIELDS AND GROUNDING
- ③ RELAY IS SHOWN AS TYPICAL ONLY. BULLETIN 1389 CAN ENABLE WITHOUT AN EXTERNAL RELAY.
- ④ TYPICALLY DIFFERENTIAL LINE DRIVER OUTPUT.
- ⑤ A-B CATALOG NUMBER 700-HC 14Z12 (RELAY) AND 700-HN103 (MOUNTED BASE)
- ⑥ TYPICAL 3 AXIS SYSTEM SHOWN FOR 8605, 8610 AND 8650 CNC.

CREONICS MAX & MAX4/CONTROL INTERCONNECT DIAGRAM



- ① REFER TO THE MAX OR MAX4/CONTROL INSTALLATION AND SETUP MANUAL FOR DETAILS.
- ② REFER TO THE BULLETIN 1389 INTERCONNECT DRAWING FOR DETAILS ON THE FOLLOWING:
• MOTOR/RESOLVER CONNECTIONS • CONNECTOR DESIGNATIONS • CABLES • SHIELDS AND GROUNDING
- ③ ENCODER IS REQUIRED FOR CONNECTION TO THE MAX AND MAX4.
- ④ RELAY IS SHOWN AS TYPICAL ONLY. BULLETIN 1389 CAN BE ENABLED WITHOUT AN EXTERNAL RELAY.
- ⑤ A-B CATALOG NUMBER 700-HC14Z12 (RELAY) AND 700-HN103 (MOUNTED BASE).



Artisan Technology Group is your source for quality new and certified-used/pre-owned equipment

- FAST SHIPPING AND DELIVERY
- TENS OF THOUSANDS OF IN-STOCK ITEMS
- EQUIPMENT DEMOS
- HUNDREDS OF MANUFACTURERS SUPPORTED
- LEASING/MONTHLY RENTALS
- ITAR CERTIFIED SECURE ASSET SOLUTIONS

SERVICE CENTER REPAIRS

Experienced engineers and technicians on staff at our full-service, in-house repair center

*InstraView*SM REMOTE INSPECTION

Remotely inspect equipment before purchasing with our interactive website at www.instraview.com ↗

WE BUY USED EQUIPMENT

Sell your excess, underutilized, and idle used equipment. We also offer credit for buy-backs and trade-ins. www.artisanng.com/WeBuyEquipment ↗

LOOKING FOR MORE INFORMATION?

Visit us on the web at www.artisanng.com ↗ for more information on price quotations, drivers, technical specifications, manuals, and documentation

Contact us: (888) 88-SOURCE | sales@artisanng.com | www.artisanng.com