



Artisan Technology Group is your source for quality new and certified-used/pre-owned equipment

- FAST SHIPPING AND DELIVERY
- TENS OF THOUSANDS OF IN-STOCK ITEMS
- EQUIPMENT DEMOS
- HUNDREDS OF MANUFACTURERS SUPPORTED
- LEASING/MONTHLY RENTALS
- ITAR CERTIFIED SECURE ASSET SOLUTIONS

SERVICE CENTER REPAIRS

Experienced engineers and technicians on staff at our full-service, in-house repair center

*InstraView*SM REMOTE INSPECTION

Remotely inspect equipment before purchasing with our interactive website at www.instraview.com ↗

WE BUY USED EQUIPMENT

Sell your excess, underutilized, and idle used equipment. We also offer credit for buy-backs and trade-ins. www.artisanng.com/WeBuyEquipment ↗

LOOKING FOR MORE INFORMATION?

Visit us on the web at www.artisanng.com ↗ for more information on price quotations, drivers, technical specifications, manuals, and documentation

Contact us: (888) 88-SOURCE | sales@artisanng.com | www.artisanng.com

BOX-TYPE, MULTI-STUB DATA BUS COUPLERS

North Hills manufactures a full line of multi-stub couplers for MIL-STD-1553 with up to 8 transformer coupled stub ports and industry standard connectors.

All North Hills couplers provide 55 dB common mode rejection (CMR) and are packaged in a hot-tinned cold rolled steel case which is solder-sealed for superior environmental, EMI and corrosion protection. These couplers are ideal for airborne applications and inexpensive enough for use in test and development applications.

A full environmental qualification report, including gunfire vibration, and mechanical drawings are available upon request for select products.



North Hills Model # DB50010 Box-Type, 5-Stub Data Bus Coupler.

Features:

- Better than 45 dB common mode rejection (CMR)
- All industry standard connectors
- High EMI resistance

Benefits:

- Flight qualified
- Low cost
- In stock

Electrical Specifications:

All parameters are in accordance with MIL-STD-1553B and Notice 2.

Droop	20% Maximum (250 kHz)
Overshoot and Ringing	$\pm 1.0V$ Peak (250 kHz square wave with 100 ns max rise and fall)
Common Mode Rejection	-45.0 dB (Min) @ 1 MHz
Fault Protection	$59\Omega \pm 1\%$, 1 Watt per MIL-R-39007
Turns Ratio	1:1.41
Stub Voltage	1.0V _{PP} to 14.0V _{PP} transformer coupled
Operating Temperature	-55°C to +125°C
Storage Temperature	-55°C to +150°C
Electrical Notes	R1=R2= 59Ω (1 watt per MIL-R-39007), Z ₀ = Nominal Line Impedance of Bus 78 Ω , N = 1.41

Higher temperature units available.

Specifications subject to change without notice.



BOX-TYPE, MULTI-STUB DATA BUS COUPLERS

These couplers are ideal for airborne applications and inexpensive enough for use in test and development applications.

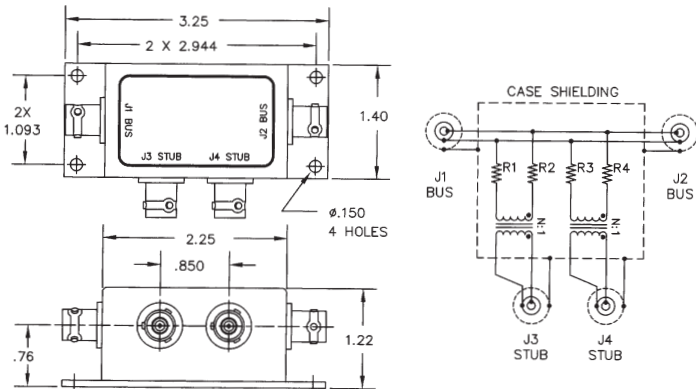


Fig. 1. Dimensions for Part# NH12864

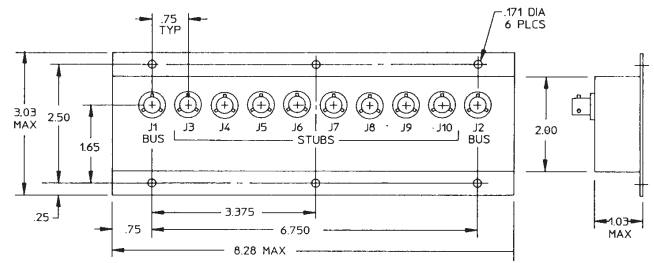


Fig. 2. Dimensions for Part#s DB80031, DB80091 (Same outline dimensions apply for DB60010)

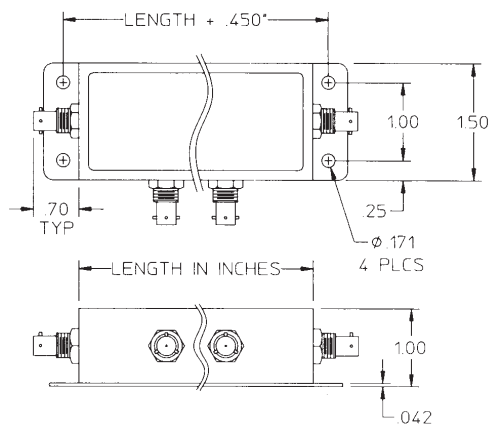
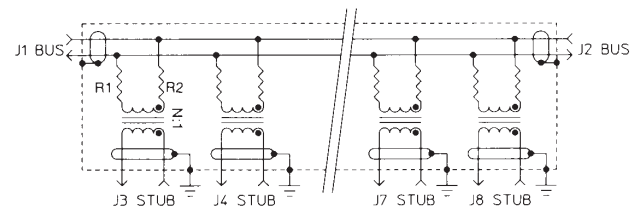


Fig. 3. Dimensions for Part #'s DB20010 to DB50040



Ordering Information:

Model #	# of Stubs	Input Imp. (ohms)	Trompeter Connector (Or Equivalent)		Length (inch)	Weight (grams)	Recommended Terminator
			Female	Mating			
DB20010	2	(a) 1500	BJ77	PL75	3.125	160	RT500078
NH12864	2	1500	BJ77	PL75	2.25	150	RT500078
DB30010	3	1000	BJ77	PL75	4.000	206	RT500078
DB40010	4	750	BJ77	PL75	4.875	256	RT500078
DB50010	5	600	BJ77	PL75	5.750	300	RT500078
DB20020	2	1500	BJ371	PL375	3.125	160	RT600078
DB30020	3	1000	BJ371	PL375	4.000	206	RT600078
DB40020	4	750	BJ371	PL375	4.875	256	RT600078
DB50020	5	600	BJ371	PL375	5.750	300	RT600078
DB20030	2	1500	BJ157	PL155	3.125	175	RT700078
DB30030	3	1000	BJ157	PL155	4.000	196	RT700078
DB40030	4	750	BJ157	PL155	4.875	276	RT700078
DB50030	5	600	BJ157	PL155	5.750	316	RT700078
DB20040	2	1500	BJ3150	PL3155	3.125	175	RT800078
DB30040	3	1000	BJ3150	PL3155	4.000	196	RT800078
DB40040	4	750	BJ3150	PL3155	4.875	276	RT800078
DB50040	5	600	BJ3150	PL3155	5.750	286	RT800078
DB60010	6	500	BJ77	PL75	8.28	500	RT500078
DB80031	8	375	BJ157	PL155	8.28	590	RT700078
DB80091	8	375	BJ77	PL75	8.28	590	RT500078

(a) 75 kHz to 1.0 MHz (Stub Open Circuited)

[Click here for a full list of accessories](#)

Material Specifications:

(unless otherwise specified)

Case	0.031 CRS
Base Plate	0.043 CRS
Finish	Hot Tin Dip
Color	MIL-E-15090 Lt. Blue Enamel
Bottom surface is unpainted.	
All dimensions are in inches, nominal dimensions shown.	

Terminations

Part #	Plug Description
RT500078	PL75
RT600078	PL375
RT700078	PL155
RT800078	PL3155

RFI Caps

Part #	Plug Description
RT500000	PL75
RT600000	PL375
RT700000	PL155
RT800000	PL3155

North Hills™ Signal Processing Corp.

6851 Jericho Turnpike
Syosset, NY 11791

Phone: 516-682-7700
Fax: 516-682-7704

A Leading Provider of Measurement and Connectivity Solutions
www.northhills-sp.com



Artisan Technology Group is your source for quality new and certified-used/pre-owned equipment

- FAST SHIPPING AND DELIVERY
- TENS OF THOUSANDS OF IN-STOCK ITEMS
- EQUIPMENT DEMOS
- HUNDREDS OF MANUFACTURERS SUPPORTED
- LEASING/MONTHLY RENTALS
- ITAR CERTIFIED SECURE ASSET SOLUTIONS

SERVICE CENTER REPAIRS

Experienced engineers and technicians on staff at our full-service, in-house repair center

*InstraView*SM REMOTE INSPECTION

Remotely inspect equipment before purchasing with our interactive website at www.instraview.com ↗

WE BUY USED EQUIPMENT

Sell your excess, underutilized, and idle used equipment. We also offer credit for buy-backs and trade-ins. www.artisanng.com/WeBuyEquipment ↗

LOOKING FOR MORE INFORMATION?

Visit us on the web at www.artisanng.com ↗ for more information on price quotations, drivers, technical specifications, manuals, and documentation

Contact us: (888) 88-SOURCE | sales@artisanng.com | www.artisanng.com