



Artisan Technology Group is your source for quality new and certified-used/pre-owned equipment

- FAST SHIPPING AND DELIVERY
- TENS OF THOUSANDS OF IN-STOCK ITEMS
- EQUIPMENT DEMOS
- HUNDREDS OF MANUFACTURERS SUPPORTED
- LEASING/MONTHLY RENTALS
- ITAR CERTIFIED SECURE ASSET SOLUTIONS

SERVICE CENTER REPAIRS

Experienced engineers and technicians on staff at our full-service, in-house repair center

*InstraView*SM REMOTE INSPECTION

Remotely inspect equipment before purchasing with our interactive website at www.instraview.com ↗

WE BUY USED EQUIPMENT

Sell your excess, underutilized, and idle used equipment. We also offer credit for buy-backs and trade-ins. www.artisanng.com/WeBuyEquipment ↗

LOOKING FOR MORE INFORMATION?

Visit us on the web at www.artisanng.com ↗ for more information on price quotations, drivers, technical specifications, manuals, and documentation

Contact us: (888) 88-SOURCE | sales@artisanng.com | www.artisanng.com

VACUUM PUMP

LINEAR

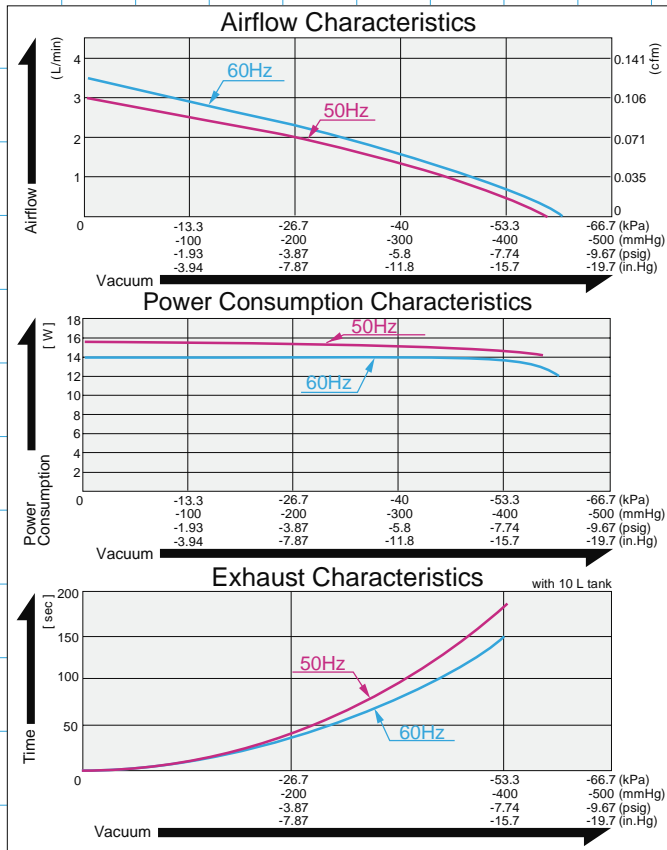


**MOTOR FREE
PISTON SYSTEM**



VP0140

Airflow & Power Consumption

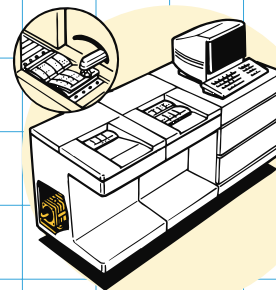


Specifications

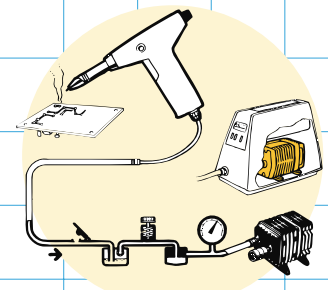
	(SI)	(EURO)	(U.S.A.)
Attainable Vacuum*1	-53.3 kPa (-400 mmHg)	-533 mbar	-15.7 in.Hg
Free Air Displacement	3 L/min		0.106 cfm
Rated Voltage	115 V AC or 230 V AC		
Power Consumption	14 W or 15 W		
Rated Frequency	60 Hz or 50 Hz		
Life Expectancy	3,000 hours		
Inlet	6 mm O.D. hose nipple		
Outlet	6 mm O.D. hose nipple		
Duty Cycle	60 minutes		
Coil Insulation Class	E or its equivalent (JETL) and B for UL		
Mounting Dimensions	48 (L) x 62 (W) mm	1-7/8" (L) x 2-7/16" (W)	
Gross Weight	0.7 kg	1.54 Lbs.	
Leadwire Length	200 mm	7-7/8"	

*1: Operations at higher than -53.3kPa need an additional leak valve or relief valve on the inlet piping. Please read the page of "How to Use This Catalog" first for correct use of compressors and pumps.

Application Examples

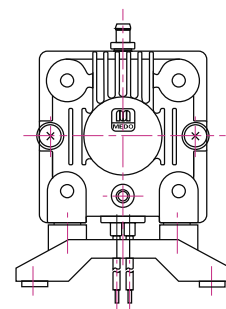
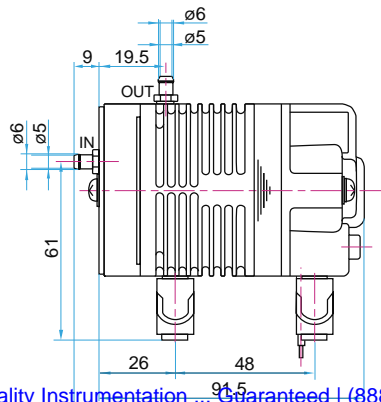
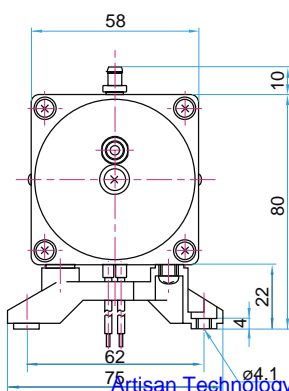


Page Scroller



Solder Fume Suction

Sketch Drawing and Mounting Dimensions Diagram (mm)





Artisan Technology Group is your source for quality new and certified-used/pre-owned equipment

- FAST SHIPPING AND DELIVERY
- TENS OF THOUSANDS OF IN-STOCK ITEMS
- EQUIPMENT DEMOS
- HUNDREDS OF MANUFACTURERS SUPPORTED
- LEASING/MONTHLY RENTALS
- ITAR CERTIFIED SECURE ASSET SOLUTIONS

SERVICE CENTER REPAIRS

Experienced engineers and technicians on staff at our full-service, in-house repair center

*InstraView*SM REMOTE INSPECTION

Remotely inspect equipment before purchasing with our interactive website at www.instraview.com ↗

WE BUY USED EQUIPMENT

Sell your excess, underutilized, and idle used equipment. We also offer credit for buy-backs and trade-ins. www.artisanng.com/WeBuyEquipment ↗

LOOKING FOR MORE INFORMATION?

Visit us on the web at www.artisanng.com ↗ for more information on price quotations, drivers, technical specifications, manuals, and documentation

Contact us: (888) 88-SOURCE | sales@artisanng.com | www.artisanng.com