



Artisan Technology Group is your source for quality new and certified-used/pre-owned equipment

- FAST SHIPPING AND DELIVERY
- TENS OF THOUSANDS OF IN-STOCK ITEMS
- EQUIPMENT DEMOS
- HUNDREDS OF MANUFACTURERS SUPPORTED
- LEASING/MONTHLY RENTALS
- ITAR CERTIFIED SECURE ASSET SOLUTIONS

SERVICE CENTER REPAIRS

Experienced engineers and technicians on staff at our full-service, in-house repair center

*InstraView*SM REMOTE INSPECTION

Remotely inspect equipment before purchasing with our interactive website at www.instraview.com ↗

WE BUY USED EQUIPMENT

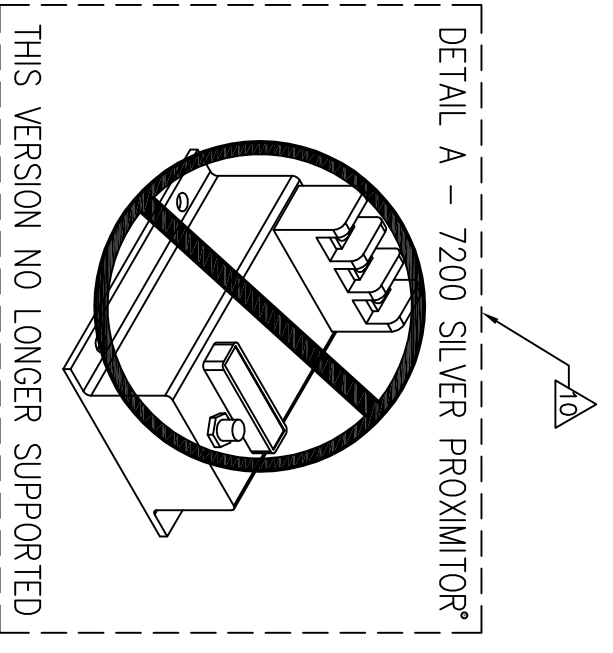
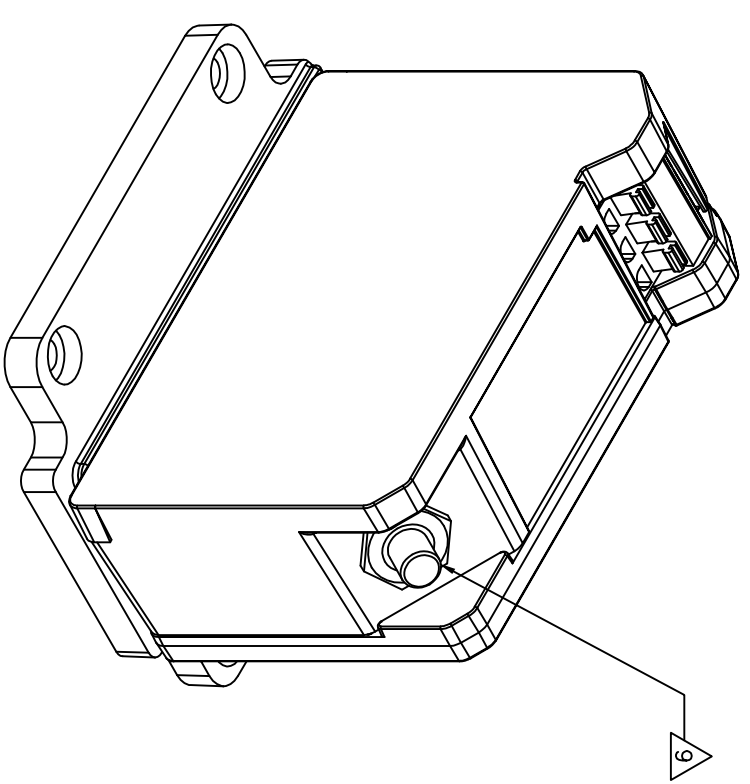
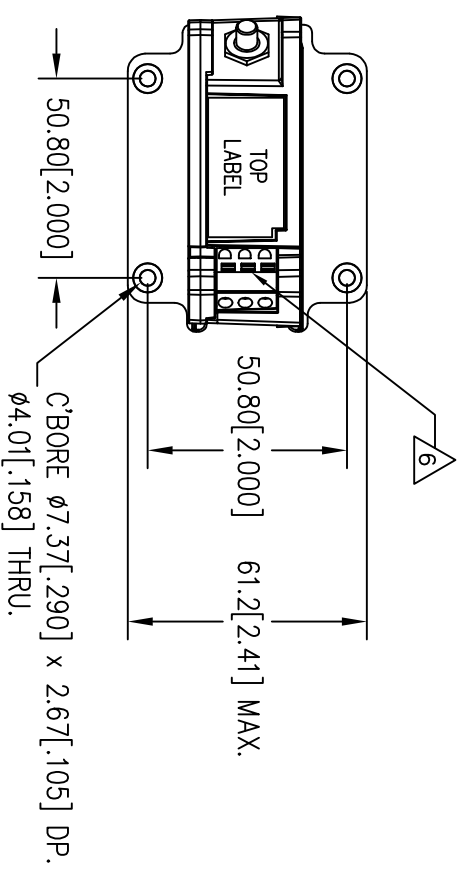
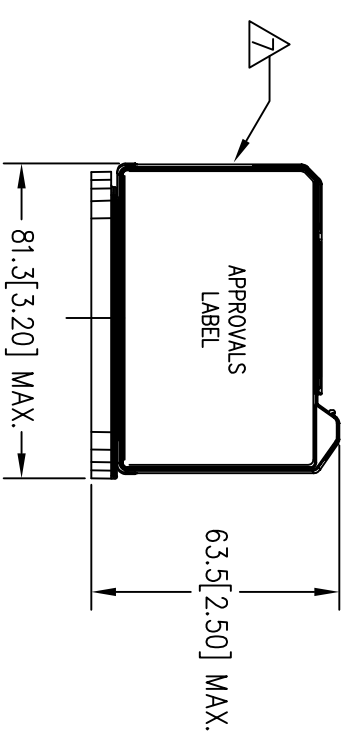
Sell your excess, underutilized, and idle used equipment. We also offer credit for buy-backs and trade-ins. www.artisanng.com/WeBuyEquipment ↗

LOOKING FOR MORE INFORMATION?

Visit us on the web at www.artisanng.com ↗ for more information on price quotations, drivers, technical specifications, manuals, and documentation

Contact us: (888) 88-SOURCE | sales@artisanng.com | www.artisanng.com

REVISION		REVISION	REVISION	REVISION	REVISION	REVISION	REVISION	REVISION	REVISION
ZONE	LTR	DESCRIPTION	REVISION	REVISION	REVISION	REVISION	REVISION	REVISION	REVISION
V		INC ECR 500000012433							
			K. WICKSTEAD	ON AS400					



BN PART NO. 18745 - □

OPTION CODE	DESCRIPTION
03	5 METRE CABLE LENGTH VERSION
04	9 METRE CABLE LENGTH VERSION

- MULTI-APPROVALS (STANDARD ON ALL VERSIONS) PROVIDES:
CSA NRTL/C: CLASS 1, DIVISION 1 (Exid), GROUPS A, B, C, D, CLASS 1, DIVISION 2 (Exn), GROUPS A, B, C, D.
CENELEC: Exia IIC T4, Ta = 100°C.
Exn II T4, Ta = 100°C.
- WEIGHT: 255 g (9.0 oz.)
- UNIT IS COMPATIBLE WITH ALL 5 & 8 mm 7200 PROBES AND EXTENSION CABLES OF APPROPRIATE SYSTEM LENGTH. BLUE 7200 PROXIMATOR® SENSOR NOT COMPATIBLE WITH 3300 OR 3300 XL PROXIMITY PROBES AND EXTENSION CABLES.
- DIMENSIONS ARE MILLIMETRES [INCHES].
- PART NUMBER IS 18745 AND APPLICABLE DASH NUMBERS.

- DETAIL A DEPICTS PREVIOUS VERSION 7200 TO BE REPLACED BY BLUE UNIT. BLUE UNIT IS FUNCTIONALLY IDENTICAL TO SILVER UNIT.
- GOLD CONNECTOR, NON-clickloc™, COMPATIBLE WITH ALL BENTLY NEVADA MALE, SILVER CONNECTORS.
- CONTINUOUS OPERATING TEMPERATURE RANGE: -51°C TO +100°C [-59.8°F TO +212°F].
- CASE MATERIAL IS A380 ALUMINUM WITH A POWDER COATED FINISH.
- THE TERMINAL BLOCK CAN ACCOMMODATE FIELD WIRING CONDUCTOR SIZES OF 16 - 24 AWG (0.2 - 1.5 sq. mm). THE TERMINAL BLOCK CAN ALSO ACCOMMODATE FIELD WIRING WITH FERRULES RANGING IN SIZE FROM 18 - 23 AWG (.25 - .75 sq. mm).

NOTES: UNLESS OTHERWISE SPECIFIED

UNLESS OTHERWISE SPECIFIED DIMENSIONS ARE IN INCHES FINISHED MACHINED SURFACES

ANGULAR 4

FRACTIONAL 4

DECIMAL .xxx ± .06 [0.003]

PROPRIETARY NOTICE - THE DATA CONTAINED HEREIN IS PROPRIETARY TO BENTLY NEVADA, LLC, AND SHALL NOT BE DUPLICATED, USED, OR DISCLOSED IN WHOLE OR IN PART FOR ANY PURPOSE, OTHER THAN FOR WHICH IT WAS INTENDED, WITHOUT THE EXPRESS PERMISSION OF BENTLY NEVADA, LLC.

© 1975, BENTLY NEVADA, LLC.

MINDED - NEVADA U.S.A.

LEADER IN PROXIMITY MEASUREMENTS

BENTLY Nevada

NAME	DHB	APPROVED	2 OCT. 1975	CODE IDENT NO.	20230	SIZE	D	DWG NO.	18745
PLOT SCALE NONE		SHEET 1 OF 1		OUTLINE, 7200 PROXIMATOR®					



Artisan Technology Group is your source for quality new and certified-used/pre-owned equipment

- FAST SHIPPING AND DELIVERY
- TENS OF THOUSANDS OF IN-STOCK ITEMS
- EQUIPMENT DEMOS
- HUNDREDS OF MANUFACTURERS SUPPORTED
- LEASING/MONTHLY RENTALS
- ITAR CERTIFIED SECURE ASSET SOLUTIONS

SERVICE CENTER REPAIRS

Experienced engineers and technicians on staff at our full-service, in-house repair center

*InstraView*SM REMOTE INSPECTION

Remotely inspect equipment before purchasing with our interactive website at www.instraview.com ↗

WE BUY USED EQUIPMENT

Sell your excess, underutilized, and idle used equipment. We also offer credit for buy-backs and trade-ins. www.artisanng.com/WeBuyEquipment ↗

LOOKING FOR MORE INFORMATION?

Visit us on the web at www.artisanng.com ↗ for more information on price quotations, drivers, technical specifications, manuals, and documentation

Contact us: (888) 88-SOURCE | sales@artisanng.com | www.artisanng.com