



Artisan Technology Group is your source for quality new and certified-used/pre-owned equipment

- FAST SHIPPING AND DELIVERY
- TENS OF THOUSANDS OF IN-STOCK ITEMS
- EQUIPMENT DEMOS
- HUNDREDS OF MANUFACTURERS SUPPORTED
- LEASING/MONTHLY RENTALS
- ITAR CERTIFIED SECURE ASSET SOLUTIONS

SERVICE CENTER REPAIRS

Experienced engineers and technicians on staff at our full-service, in-house repair center

*InstraView*SM REMOTE INSPECTION

Remotely inspect equipment before purchasing with our interactive website at www.instraview.com ↗

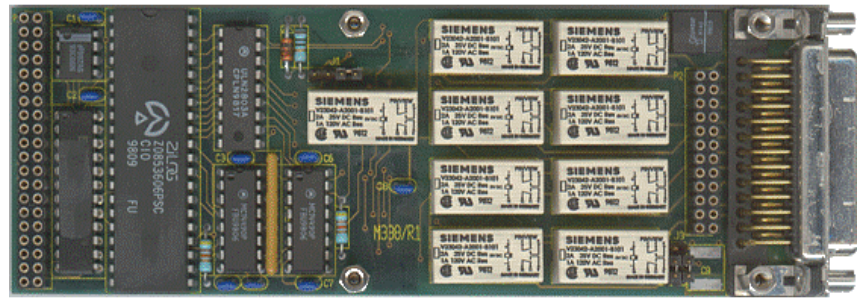
WE BUY USED EQUIPMENT

Sell your excess, underutilized, and idle used equipment. We also offer credit for buy-backs and trade-ins. www.artisanng.com/WeBuyEquipment ↗

LOOKING FOR MORE INFORMATION?

Visit us on the web at www.artisanng.com ↗ for more information on price quotations, drivers, technical specifications, manuals, and documentation

Contact us: (888) 88-SOURCE | sales@artisanng.com | www.artisanng.com



The M338 Octal Relay Controller M-module is designed as a plug-on-module for the M-module interface. The M338 is equipped with eight monostable relays, with 2 throw over contacts each. One throw over contact is available at the front connector, while the other contact is used for reading back the relay state. The maximum continuous switching current is 1A (at maximum 100V). The M338 features an emergency break input that must be activated for normal operation. If the emergency break input is not asserted the power of all relays is removed instantaneously.

Features:

- > Relay outputs provide normally-open contacts
- > Maximum continuous switching current is 1A (at maximum 100V)
- > Optical isolated input for hardware reset of relays, sink type, -5..+36VDC input voltage
- > 3 programmable timer/counter channels
- > Z8536 CIO parallel I/O controller

M-module Compliancy

- * A08/D16 (8-bit address and 16-bit data)
- * INTA (software end-of-interrupt)
- * INTC (Interrupt Vector Transfer with hardware-end-of-interrupt)
- * IDENT (identification EEPROM)

Controller

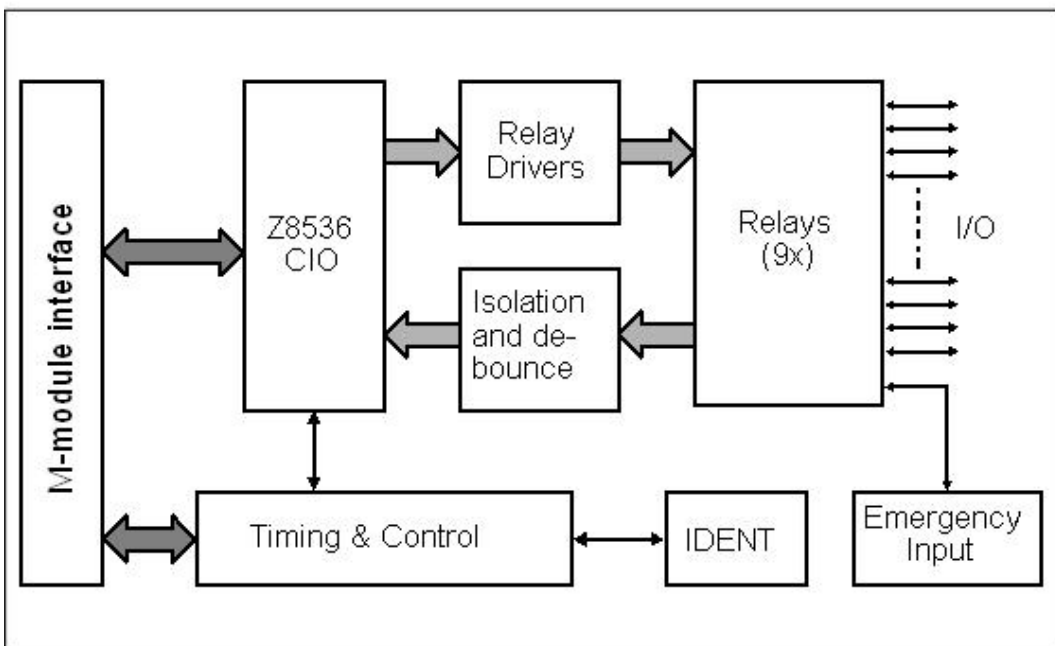
- * Z8536 CIO parallel I/O controller

Relays

- * Normally-open contacts
- * Mechanical PCB relays with excellent switching times (10ms on, 5ms off)
- * High expected life time
- * High current relays
- * 1A maximum switching current
- * 100V maximum switching voltage
- * Emergency shutdown input removes power from all relays instantaneously without software interaction
- * True read-back using secondary contact

Ordering Information

- * **M338/T01** M-module
- * **M338/SW** APIS based software
- * **M338/MAN** manual on paper
- * Minimum order requirement of 10 pieces applies



Visit address
Rijnstraat 20
5347 KN Oss

Postal address
P.O. Box 627
5340 AP Oss
The Netherlands

Phone +31 (0)412 64 19 22
Fax +31 (0)412 62 26 40
Internet www.acq.nl
E-mail info@acq.nl



Artisan Technology Group is your source for quality new and certified-used/pre-owned equipment

- FAST SHIPPING AND DELIVERY
- TENS OF THOUSANDS OF IN-STOCK ITEMS
- EQUIPMENT DEMOS
- HUNDREDS OF MANUFACTURERS SUPPORTED
- LEASING/MONTHLY RENTALS
- ITAR CERTIFIED SECURE ASSET SOLUTIONS

SERVICE CENTER REPAIRS

Experienced engineers and technicians on staff at our full-service, in-house repair center

*InstraView*SM REMOTE INSPECTION

Remotely inspect equipment before purchasing with our interactive website at www.instraview.com ↗

WE BUY USED EQUIPMENT

Sell your excess, underutilized, and idle used equipment. We also offer credit for buy-backs and trade-ins. www.artisanng.com/WeBuyEquipment ↗

LOOKING FOR MORE INFORMATION?

Visit us on the web at www.artisanng.com ↗ for more information on price quotations, drivers, technical specifications, manuals, and documentation

Contact us: (888) 88-SOURCE | sales@artisanng.com | www.artisanng.com