



Artisan Technology Group is your source for quality new and certified-used/pre-owned equipment

- FAST SHIPPING AND DELIVERY
- TENS OF THOUSANDS OF IN-STOCK ITEMS
- EQUIPMENT DEMOS
- HUNDREDS OF MANUFACTURERS SUPPORTED
- LEASING/MONTHLY RENTALS
- ITAR CERTIFIED SECURE ASSET SOLUTIONS

SERVICE CENTER REPAIRS

Experienced engineers and technicians on staff at our full-service, in-house repair center

*InstraView*SM REMOTE INSPECTION

Remotely inspect equipment before purchasing with our interactive website at www.instraview.com ↗

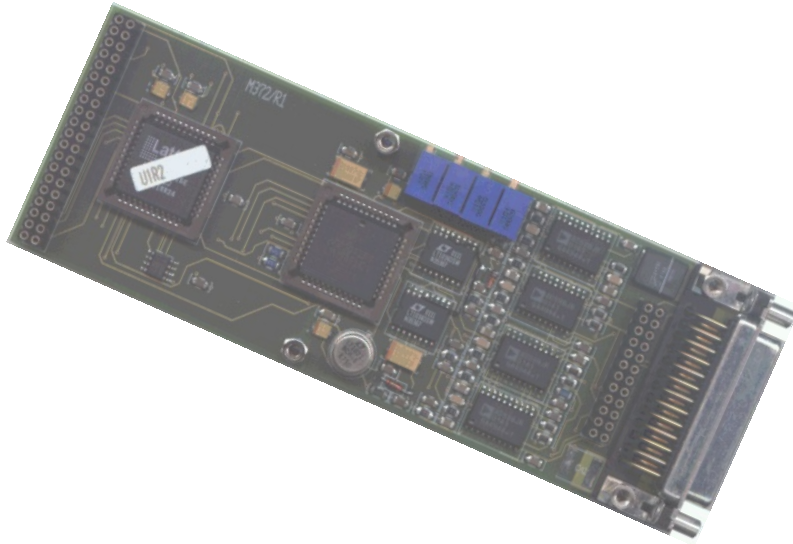
WE BUY USED EQUIPMENT

Sell your excess, underutilized, and idle used equipment. We also offer credit for buy-backs and trade-ins. www.artisanng.com/WeBuyEquipment ↗

LOOKING FOR MORE INFORMATION?

Visit us on the web at www.artisanng.com ↗ for more information on price quotations, drivers, technical specifications, manuals, and documentation

Contact us: (888) 88-SOURCE | sales@artisanng.com | www.artisanng.com



M372

LVDT/RVDT Controller M-module

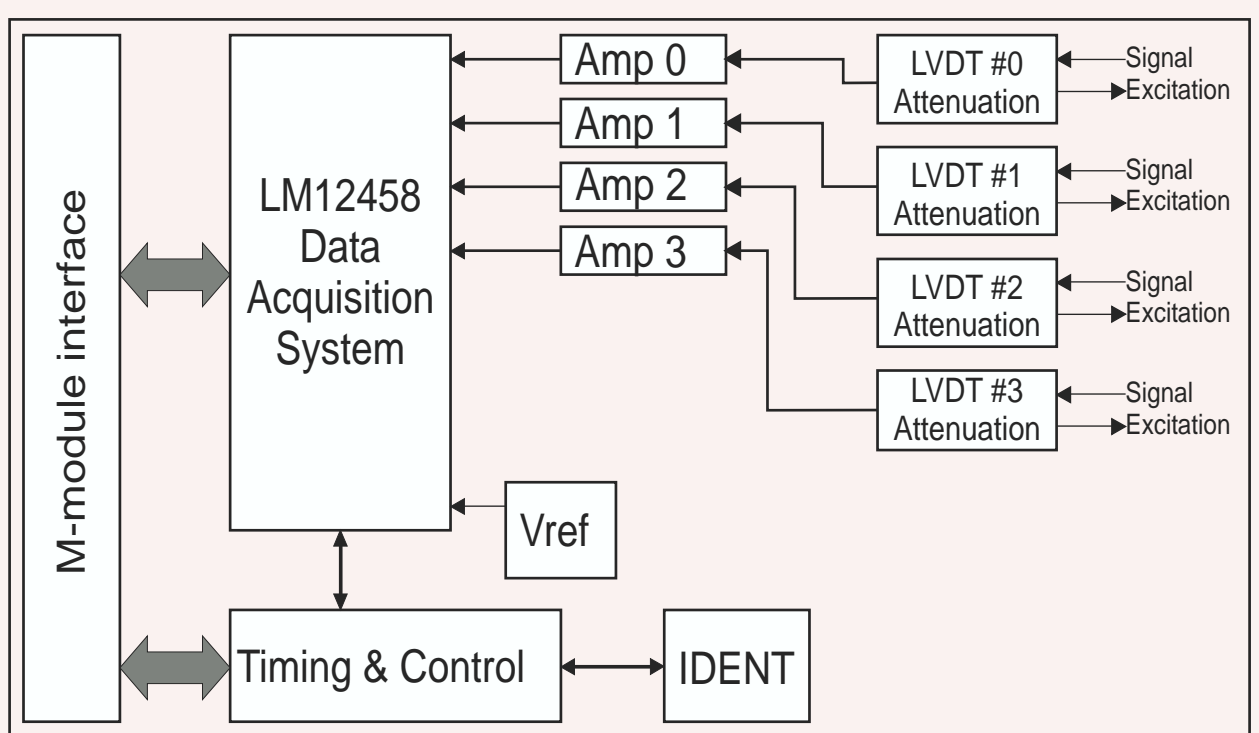
The M372 LVDT/RVDT Controller M-module is capable of handling up to four LVDT/RVDT devices. All conversions are made with 13-bit resolution using the National Semiconductor LM12458 Data Acquisition System. The device contains a sequencer that allows complex conversion algorithms to execute without host intervention. Conversion results are stored in an on-chip FIFO from which it can be read by the host.

The LVDT/RVDT signal conditioner is implemented using the AD598 from Analog Devices. This device generates the excitation for the LVDT/RVDT devices and measures the feedback on the secondary coils. As a result, it generates a DC voltage that is representative for the core displacement.

- AD598 integrated LVDT signal conditioner for each LVDT channel
- Wide range adjustable LVDT excitation frequency and amplitude
- Interfaces to 4/5/6-wire LVDT/RVDT devices
- Distance between LVDT/RVDT devices and M372 can be up to 100 meters
- LM12458 integrated data acquisition system with 13-bit resolution and sequencer
- Programmable conversion rate, resolution number of conversions and comparison limits
- Interrupt on numerous programmable events (i.e. sequence completion, limit crossing)
- Operates with minimum CPU intervention after initialization



Acquisition Technology B.V.



Block diagram



M-module Compliance

- A08/D16 (8-bit address and 16 bit-data)
- INTA (software end-of-interrupt)
- IDENT (identification EEPROM)

Data Acquisition

- LM12458 DAS (Data Acquisition System), self-calibrating
- Programmable resolution (8-bit + sign or 12-bit + sign)
- 8.8 microseconds conversion time in 13-bit mode
- 32 words FIFO buffer
- Programmable sequencer

Signal Conditioning

- AD598 LVDT signal conditioner
- Internal excitation voltage oscillator and ratiometric demodulator with outstanding performance (linearity error max. 0.05% of full scale)
- Excitation frequency from 20Hz to 20kHz Amplitude in the range of 0 to 5.7 Vrms
- The four AD598 devices are synchronized to avoid beat notes

Ordering Information

- M372/MOD
M372 M-module
- M372/MAN
M372 manual on paper
- M372/SW
APIS based software

AcQquisition Technology B.V.

P.O. Box 627
5340 AP OSS
The Netherlands



Tel. +31-412-651055
Fax: +31-412-651050
Email: info@acq.nl
URL: <http://www.acq.nl>



Artisan Technology Group is your source for quality new and certified-used/pre-owned equipment

- FAST SHIPPING AND DELIVERY
- TENS OF THOUSANDS OF IN-STOCK ITEMS
- EQUIPMENT DEMOS
- HUNDREDS OF MANUFACTURERS SUPPORTED
- LEASING/MONTHLY RENTALS
- ITAR CERTIFIED SECURE ASSET SOLUTIONS

SERVICE CENTER REPAIRS

Experienced engineers and technicians on staff at our full-service, in-house repair center

*InstraView*SM REMOTE INSPECTION

Remotely inspect equipment before purchasing with our interactive website at www.instraview.com ↗

WE BUY USED EQUIPMENT

Sell your excess, underutilized, and idle used equipment. We also offer credit for buy-backs and trade-ins. www.artisanng.com/WeBuyEquipment ↗

LOOKING FOR MORE INFORMATION?

Visit us on the web at www.artisanng.com ↗ for more information on price quotations, drivers, technical specifications, manuals, and documentation

Contact us: (888) 88-SOURCE | sales@artisanng.com | www.artisanng.com