



## Artisan Technology Group is your source for quality new and certified-used/pre-owned equipment

- FAST SHIPPING AND DELIVERY
- TENS OF THOUSANDS OF IN-STOCK ITEMS
- EQUIPMENT DEMOS
- HUNDREDS OF MANUFACTURERS SUPPORTED
- LEASING/MONTHLY RENTALS
- ITAR CERTIFIED SECURE ASSET SOLUTIONS

### SERVICE CENTER REPAIRS

Experienced engineers and technicians on staff at our full-service, in-house repair center

### *InstraView*<sup>SM</sup> REMOTE INSPECTION

Remotely inspect equipment before purchasing with our interactive website at [www.instraview.com](http://www.instraview.com) ↗

### WE BUY USED EQUIPMENT

Sell your excess, underutilized, and idle used equipment. We also offer credit for buy-backs and trade-ins. [www.artisanng.com/WeBuyEquipment](http://www.artisanng.com/WeBuyEquipment) ↗

### LOOKING FOR MORE INFORMATION?

Visit us on the web at [www.artisanng.com](http://www.artisanng.com) ↗ for more information on price quotations, drivers, technical specifications, manuals, and documentation

**Contact us:** (888) 88-SOURCE | [sales@artisanng.com](mailto:sales@artisanng.com) | [www.artisanng.com](http://www.artisanng.com)



Acquisition Technology bv

Headquarters:  
Raadhuislaan 27a  
5341 GL OSS  
THE NETHERLANDS

Postal address:  
P.O. Box 627  
5340 AP OSS  
THE NETHERLANDS

Phone: +31-412-651055  
Fax: +31-412-651050  
Email: [info@acq.nl](mailto:info@acq.nl)  
WEB: <http://www.acq.nl>

# M372

*LVDT/RVDT Controller M-module*

*User Manual*

**Version R1.0**

Copyright statement: Copyright ©2001 by AcQuisition Technology bv - OSS, The Netherlands  
All rights reserved. No part of this publication may be reproduced, transmitted, transcribed, stored in a retrieval system, or translated into any language, in any form or by any means without the written permission of AcQuisition Technology bv.

**Disclaimer:**

The information in this document has been carefully checked and is believed to be entirely reliable. However, no responsibility is assumed for inaccuracies. AcQuisition Technology does not assume any liability arising out of the application or use of any product or circuit described herein; neither does it convey any license under its patent rights nor the rights of others. AcQuisition Technology products are not designed, intended, or authorized for use as components in systems intended to support or sustain life, or for any other application in which the failure of an AcQuisition Technology product could create a situation where personal injury or death may occur, including, but not limited to AcQuisition Technology products used in defence, transportation, medical or nuclear applications. Should the buyer purchase or use AcQuisition Technology products for any such unintended or unauthorized application, the buyer shall indemnify and hold AcQuisition Technology and its officers, employees, subsidiaries, affiliates, and distributors harmless against all claims, costs, damages and expenses, and reasonable attorney fees arising out of, directly or indirectly, any claim of personal injury or death associated with such unintended or unauthorized use, even if such claim alleges that AcQuisition Technology was negligent regarding the design or manufacture of the part.

Printed in The Netherlands.

# CONTENTS

<b>1.</b>	<b>INTRODUCTION</b>	<b>3</b>
1.1.	VALIDITY OF THE MANUAL	3
1.2.	PURPOSE	3
1.3.	SCOPE	3
1.4.	DEFINITIONS, ACRONYMS AND ABBREVIATIONS	3
1.5.	NOTES CONCERNING THE NOMENCLATURE	3
1.6.	OVERVIEW	3
<b>2.</b>	<b>PRODUCT OVERVIEW</b>	<b>5</b>
2.1.	INTRODUCTION	5
2.2.	TECHNICAL OVERVIEW	5
2.3.	LVDT SIGNAL CHARACTERISTICS	5
<b>3.</b>	<b>INSTALLATION AND SETUP</b>	<b>7</b>
3.1.	UNPACKING THE HARDWARE	7
3.2.	CONNECTING THE MODULE	8
3.3.	GAIN ADJUSTMENT	10
<b>4.</b>	<b>FUNCTIONAL DESCRIPTION</b>	<b>11</b>
4.1.	BLOCK DIAGRAM	11
4.2.	M-MODULE INTERFACE	11
4.3.	ANALOG INPUT CAPABILITIES	13
<b>5.</b>	<b>SOFTWARE</b>	<b>15</b>
5.1.	APIS SUPPORT	15
5.1.1.	CONCEPT	15
5.1.2.	API	15
5.1.3.	CODE GENERATION	16
5.2.	TYPE DEFINITIONS AND STRUCTURES	16
5.3.	LIBRARY FUNCTION RETURN VALUES	17
5.4.	FUNCTION REFERENCE	17
5.5.	SOFTWARE DISTRIBUTION	19
<b>6.</b>	<b>ANNEX</b>	<b>21</b>
6.1.	BIBLIOGRAPHY	21
6.2.	COMPONENT IMAGE	21
6.3.	TECHNICAL DATA	22
6.4.	DOCUMENT HISTORY	22

Intentionally left blank.



---

## 1. INTRODUCTION

### 1.1. VALIDITY OF THE MANUAL

This user manual is of revision 1.0 and is valid for the M372 LVDT/RVDT Controller M-module of revision 1.x and up. The revision number (x.y) of the M372 is composed of a major number, x and a minor number y. The major number x indicates the revision of the PCB and the minor number is the firmware version. This user manual is a replacement for previous releases of the hardware manual and contains a description of both the hardware as well as the provided software.

### 1.2. PURPOSE

This manual serves as instruction for the operation of the M372 LVDT/RVDT Controller M-module, the connection of LVDT devices, and the integration on an M-module carrier. Furthermore it gives the user additional information for special applications and configurations of the assembly. The M372 is provided with example software which is also described in this manual.

Detailed information concerning the individual assemblies (data sheets etc.) are not part of this manual. The main audience are system integration engineers and software developers.

### 1.3. SCOPE

The scope of this manual is the M372 LVDT/RVDT Controller. Both the hardware and the example software are described.

### 1.4. DEFINITIONS, ACRONYMS AND ABBREVIATIONS

AcQ	AcQuisition Technology bv
APIS	AcQ Platform Interface Software
LVDT	Linear Variable Differential Transformer
LVDT Device	Linear position sensor
M-module	Mezzanine I/O concept according to the M-module specification
Platform	Combination of hardware and operating system LVDT
RVDT	Rotary Variable Differential Transformer
RVDT Device	Rotary position sensor

### 1.5. NOTES CONCERNING THE NOMENCLATURE

Hex numbers are marked with a leading "0x"-sign: for example: 0x20 or 0xff.

File names are represented in italic: *filename.txt*

Code examples are printed in `courier`.

Active-low signals are represented by a trailing asterisks (i.e. IACK\*).

### 1.6. OVERVIEW

Chapter 2 is an introduction to the M372. Chapter 3 contains information about the installation and setup of the board. Chapter 4 contains detailed information on the hardware and in chapter 5 the provided example software is described. Finally an appendix can be found containing a component image, technical data and a bibliography.

Intentionally left blank.



---

## 2. PRODUCT OVERVIEW

### 2.1. INTRODUCTION

The M372 LVDT/RVDT Controller M-module is capable of interfacing up to four LVDT/RVDT devices. Analog to digital conversions are done with 13 bit resolution using the National Semiconductor LM12458 Data Acquisition System. This device contains a sequencer that allows complex conversion algorithms to execute without host intervention. Conversion results are stored in an on-chip FIFO from which they can be read by the host.

For LVDT/RVDT signal conditioning the Analog Devices AD598 is used. This device generates the excitation for the LVDT/RVDT devices and measures the feedback on the secondary coils. As a result, it generates a DC voltage that is representative for the core-displacement.

For an in-depth discussion on the devices used, please refer to their respective data sheets.

### 2.2. TECHNICAL OVERVIEW

- ! AD598 integrated LVDT/RVDT signal conditioner for each LVDT channel
- ! Wide range adjustable LVDT/RVDT excitation frequency/amplitude
- ! Interfaces to 4/5/6-wire LVDT/RVDT devices (NOT 3-wire)
- ! Distance between LVDT/RVDT devices and M372 can be up to 100 metres
- ! LM12458 Integrated Data Acquisition System with 13-bit resolution and sequencer
- ! Programmable conversion rate, resolution, number of conversions and comparison limits
- ! Automatic calibration of the Data Acquisition System
- ! Interrupts on numerous programmable events (i.e. sequence completion, limit crossing)
- ! Operates with minimum CPU intervention after initialization

### 2.3. LVDT SIGNAL CHARACTERISTICS

The M372 controller must be factory configured for the required LVDT signal characteristics. Configuration must be done by Acquisition Technology according to LVDT device parameters. For more information contact your local distributor or Acquisition Technology directly.



Intentionally left blank.



### 3. INSTALLATION AND SETUP

#### 3.1. UNPACKING THE HARDWARE

The hardware is shipped in an ESD protective container. Before unpacking the hardware, make sure that this takes place in an environment with controlled static electricity. The following recommendations should be followed:

- ! Make sure your body is discharged to the static voltage level on the floor, table and system chassis by wearing a conductive wrist-chain connected to a common reference point.
- ! If a conductive wrist-chain is not available, touch the surface where the board is to be put (like table, chassis etc.) before unpacking the board.
- ! Leave the board only on surfaces with controlled static characteristics, i.e. specially designed anti static table covers.
- ! If handling the board over to another person, touch this persons hand, wrist etc. to discharge any static potential.

**IMPORTANT:** Never put the hardware on top of the conductive plastic bag in which the hardware is shipped. The external surface of this bag is highly conductive and may cause rapid static discharge causing damage. (The internal surface of the bag is static dissipative.)

Inspect the hardware to verify that no mechanical damage appears to have occurred. Please report any discrepancies or damage to your distributor or to Acquisition Technology immediately and do not install the hardware.

### 3.2. CONNECTING THE MODULE

LVDT or RVDT device must be connected to either the 25-pole D-sub front connector or via the 24-pole P2 header. Pin assignments of both connectors can be found below.

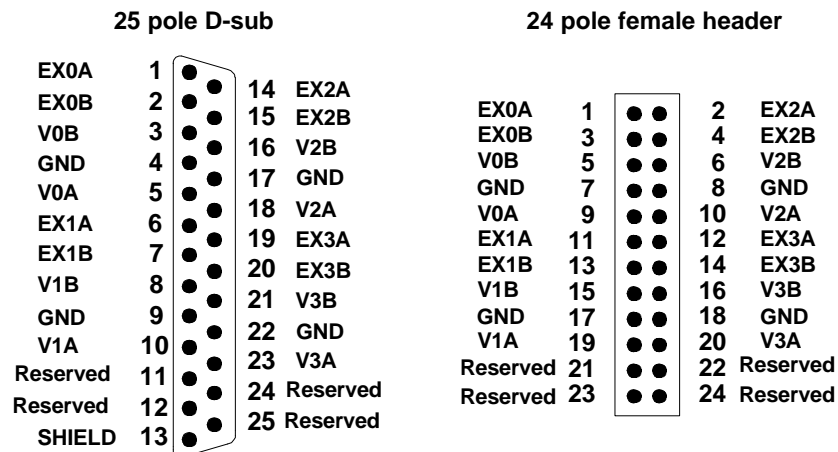


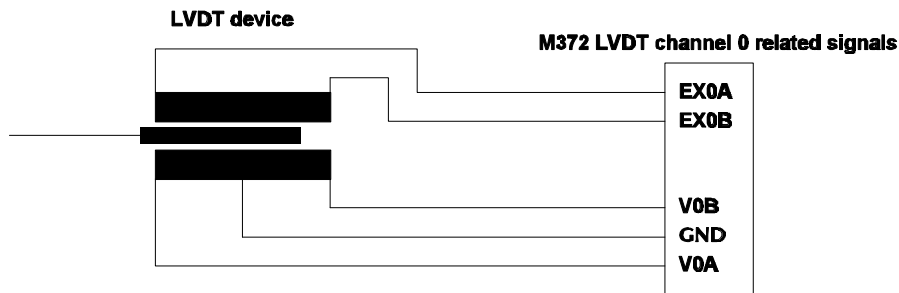
Figure 1 : M372 Connector layout

**Note:** Reserved pins must not be connected !!!!

The table below shows the relation between LVDT input channels and corresponding signals.

Channel 0		Channel 1		Channel 2		Channel 3	
Primary	Secondary	Primary	Secondary	Primary	Secondary	Primary	Secondary
EX0A	V0A	EX1A	V1A	EX2A	V2A	EX3A	V3A
EX0B	GND	EX1B	GND	EX2B	GND	EX3B	GND
	V0B		V1B		V2B		V3B

The M372 supports 4-wire, 5-wire and 6-wire devices. For proper connection of a LVDT or a RVDT device to channel 0 of the M372 the primary winding of the device must be connected to the excitation output EX0A and EX0B, the secondary windings must be connected to the signal inputs V0A and V0B. The secondary windings must have a centre tap which must be connected to GND. The figure below illustrates the connection of a 5-wire device.



**Figure 2** Connecting a LVDT device

Connection of devices to channel 1, 2 and 3 must be done in a similar way.

The specification of the excitation signal, input range and sensitivity depends on the factory configuration of the M372. A wide variety of excitation signals are supported, 2.5V, 3V, 5V @ 400Hz, 1kHz, 2.5kHz or 5kHz. The M372 must be configured for the use of a specific LVDT device. Configuration is done by Acquisition Technology based on the specification of the LVDT device. For detailed information contact your local distributor or Acquisition Technology directly.

### 3.3. GAIN ADJUSTMENT

The physical stroke of a LVDT device is application dependent, to provide full ADC resolution for each individual system a potentiometer is provided for adjustment of the gain. The gain can be adjusted for each channel separately. The table below shows the relation between the LVDT channel and the potentiometer. For the position of the potentiometer refer to section 6.2.

Gain Adjustment	
LVDT0	R1
LVDT1	R2
LVDT2	R3
LVDT3	R4

The gain can be adjust with two methods, statical using a voltmeter or dynamical using the software output of the M372.

#### ! Statical Adjustment

- Connect a LVDT to channel 0
- Power-up the system
- Measure pin 3 of R1
- Move the LVDT core to the most extreme position
- Adjust R1 in such a manner that the measured voltage reaches the maximum or minimum value, either 0.00V or 5.00V (depending on the sign of the displacement)
- Repeat this for channels 1 to 3.

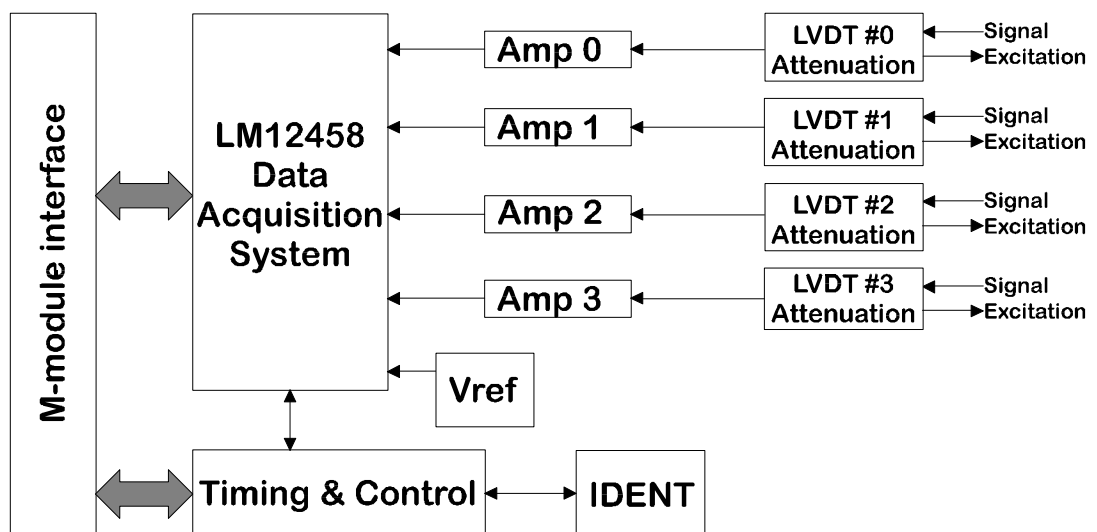
#### ! Dynamical Adjustment

- Connect a LVDT to channel 0
- Power-up the system
- Start the M372 demo software described in chapter 5
- Move the LVDT core to the most extreme position
- Adjust R1 in such a manner that the output code reaches the maximum value of that direction, either +4095 or -4096 (depending on the sign of the displacement)
- Repeat this for channels 1 to 3.

## 4. FUNCTIONAL DESCRIPTION

The M372 LVDT/RVDT Controller M-module is build around the LM12458 Data Acquisition System by National Semiconductor. For LVDT and RVDT signal conditioning AD598 devices from Analog Devices Inc. are implemented. For interfacing to a host system the M372 features an A8/D16 M-module interface and serial ID EEPROM.

### 4.1. BLOCK DIAGRAM



**Figure 3** Blockdiagram of the M372 M-module

### 4.2. M-MODULE INTERFACE

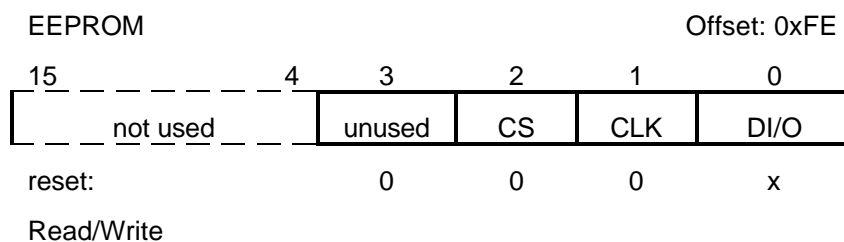
The M372 has an A08/D16 compliant M-module interface, the following table contains an overview of the address map of the M372 module. All addresses are relative to the base address of the module.

Address offset	Width	Description
0x00 ... 0x20	16-bit	Data Acquisition System (LM12458)
0xfe	16-bit	Module identification

A full description of the Data Acquisition System (DAS) register map, configuration and usage of the device is beyond the scope of this manual. For a full description refer to the data sheet of the

LM12458. For a description of accessing the DAS please refer to the provided example software as well the LM12458 data sheet.

On address offset 0xfe the Identification EEPROM can be found. The identification of an M-module is implemented using a serial EEPROM with a 64\*16 word organisation. The industry-standard component 93C46 is used in order to make the identification compatible throughout the complete range of available modules. Access to the identification EEPROM takes place through the following register:



**CS Chip-Select**

This bit corresponds to the chip select input of the EEPROM.

**CLK Clock**

This bit corresponds to the clock input of the EEPROM.

**DI/O Data input/output**

This bit corresponds to the data input of the EEPROM when writing, and data output of the EEPROM when reading.

For information on controlling the EEPROM refer to the NM93C46 data sheets. A software example can be found in the file *ideeprom.c* that is part of the software distribution. For information on the memory organization refer to the M-module Specification.

### 4.3. ANALOG INPUT CAPABILITIES

The M372 LVDT/RVDT Controller features 7 external analog input channels. Channel 0 to channel 3 are used to acquire the conditioned LVDT/RVDT signals. Channels 4 to 7 are reserved for future use. The ADC core is implemented using a LM12458 Data Acquisition System. The analog front-end is implemented using AD598 LVDT Signal Conditioners.

#### ! LM12458 Data Acquisition System

The LM12458 is a 12-Bit + Sign Data Acquisition System with self calibration. On the M372 the LM12458 is used with 7 DC inputs with a range of 0V to 5V. For communication with the host the LM12458 provides a set of configuration registers and a 32 sample deep FIFO which are accessible via the M-module interface (refer to section 4.2). The LM12458 features a programmable sequencer. The sequencer can be programmed to acquire the LVDT channels continuously so the host can read sample data from the FIFO at any time. For a programming example refer to chapter 5.

#### ! AD598 LVDT Signal Conditioners

LVDT signal conditioning is handled by AD598 devices from Analog Devices. The AD598 is able to convert the mechanical transition of a transducer to a dc voltage with a high degree of accuracy and repeatability. The AD598 contains a low distortion sine wave oscillator to drive the LVDT primary. The LVDT secondary output consists of two sine waves that drive the AD598 directly. The AD598 operates upon the two signals, dividing their difference by their sum, producing a scaled DC output.

The AD598 uses a ratiometric architecture that eliminates the necessity of adjustments, influence of transformer null voltage and primary to secondary phase shift. Although the AD598 requires no adjustments, for each LVDT channel gain adjustment is provided to adapt the mechanical stroke to the full resolution of the analog to digital converter, for details refer to section 3.3.



Intentionally left blank.



---

## 5. SOFTWARE

This chapter describes the example software which is available for the M372 LVDT/RVDT Controller M-module. The example software is available in ANSI-C source code and consists mainly of an M372 function library which provides functions for easy access to the M372 and a demo program which illustrates the usage of the software library.

The M372 library functions are APIS based, physical accesses and interrupt support are handled by APIS, AcQ Platform Independent Interface Software. The next section contains general information on APIS, for detailed information please refer to the APIS Programmer's Manual.

### 5.1. APIS SUPPORT

AcQ produces and supports a large number of standard M-modules varying from networking and process I/O to motion control applications. Physically, the M-modules are supported by a large number of hardware platforms: VMEbus, PCI, CompactPCI as well as a wide variety of operating systems: OS-9, Windows NT, Linux etc.

APIS offers a way to program platform independent applications, example- and test software for controlling hardware. Application software written for APIS only needs re-compiling for a particular platform and is operational with little effort (provided that the application is operating system independent).

#### 5.1.1. CONCEPT

Hardware accesses to registers and memory are handled by APIS. Some minor operating system dependent functions frequently used in hardware related software, such as interrupt handling and a delay function are also provided by APIS.

APIS platform support consists of an Application Programming Interface in the form of definition files coded in ANSI-C and platform dependent modules e.g. source files, libraries and/or drivers. In the most simple outline, a platform dependent APIS module consist of nothing more then macro definitions in which APIS calls are substituted by direct hardware accesses. But in most cases an APIS module will consist of a library with interface routines and in some implementations a device driver is needed for interaction with the operating system.

#### 5.1.2. API

The Application Programming Interface for APIS is implemented in two ANSI-C coded definition files: *apis.h* which contains general definitions and *platform\_apis.h* which contains platform specific definitions and references to the APIS function calls.

The application source file must include the APIS header file *apis.h*. Porting of the application to a platform, consists of re-compiling the source code with a defined pre-processor macro for selection of the used platform. The APIS header file contains generic APIS definitions and includes a platform specific header file according to the platform selection macro.

APIS calls are translated to the platform specific calls in the APIS header file and the platform specific definition file *platform\_apis.h* (*platform* is a name that identifies a hardware and operating system combination, e.g. i4000os9).

The macro PLATFORM must be defined, either via a pre-processor definition provided at compile time or via a macro-definition in the application source.

### 5.1.3. CODE GENERATION

APIS based example software is available in ANSI-C source code. Source code files must be compiled with the pre-processor definition PLATFORM set to a valid value, conforming the target platform. Building of the example software for the M372 is platform dependent, for details refer to the release notes of the APIS support package of the target platform and the APIS Programmer's Manual.

Examples of APIS supported platforms are i4000os9, i2000dos, i3000win etc.

### 5.2. TYPE DEFINITIONS AND STRUCTURES

The table below contains a list and description of all types and structures used in the M372 example software (standard ANSI-C types are not listed).

Name	Type	Description
INT8 UINT8 INT16 UINT16 INT32 UINT32	char unsigned char short unsigned short long unsigned long	8-bit signed data 8-bit unsigned data 16-bit signed data 16-bit unsigned data 32-bit signed data 32-bit unsigned data
PHA8 PHA16 PHA32	volatile unsigned char * volatile unsigned short * volatile unsigned long *	8-bit physical access 16-bit physical access 32-bit physical access
APIS_PATH APIS_HANDLE APIS_WIDTH	unsigned long void * int	APIS physical path ID APIS physical path handle APIS access size in bytes
IDCODE	union { struct { short synccode, modnum, revision, modchar, res[4]; char  manstr[16]; } id; short  reg[16]; }	ID EEPROM contents  Sync code (0x5346) Module number (binary coded) revision number Module characteristics reserved manufacturer string ID data raw data
M372_DEV	struct { APIS_HANDLE apis_handle }	M372 Device structure, currently only used to store the APIS handle, may be expanded for future functionality
M372_OPEN_T	int	Argument for m372_open()
M372_READ_T	struct{ UINT16 lvdv_val[4]; } M372_READ_T;	LVDT measurement results Argument for m372_read()

### 5.3. LIBRARY FUNCTION RETURN VALUES

Each library function returns a result which is either an APIS error code or an M372 library error code. APIS results have bit #15 cleared, library results have bit #15 set. For an overview of APIS error codes refer to the APIS programmer's manual, for an overview of the library result codes refer to the table below:

Result	Hex	Description
NOERR	0x0000	No error
ERR_CALTIMEOUT	0x8100	Calibration timeout
ERR_IDEEP	0x8300	Reading module ID failed
ERR_MODID	0x8500	Module is not an M372

### 5.4. FUNCTION REFERENCE

This section contains the reference of the functions provided by the M372 APIS-based software library.

<b>m372_open()</b>	<b>Open M372 device</b>
--------------------	-------------------------

**Syntax:** `int m372_open(APIS_PATH path_id, M372_DEV *device, M372_OPEN_T *cal)`

**Description:** Open a hardware path to an M372, check APIS version compatibility, verify module ID by reading the identification EEPROM and initialize the M372. The function initializes the provided device structure of type M372\_DEV. The programmer must make sure that enough space is available for the device structure.

**Arguments:**

- APIS\_PATH path\_id  
Module APIS path id
- M372\_DEV \*device  
Pointer to M372 device
- M372\_OPEN\_T \*cal  
If TRUE full calibration of the LM12458 is performed

**Returns:** APIS error code or M372 library error code

## m372\_close()

Close M372 device

**Syntax:**        int m372\_close(M372\_DEV \*device)

**Description:** Close an M372 device, consequently a reset of the LM12458 will be performed and allocated memory is freed.

**Arguments:**    M372\_DEV \*device  
                  Pointer to M372 device

**Returns:**        APIS error code or M372 library error code

## m372\_read()

Get LVDT measurement results

**Syntax:**        int m372\_read (M372\_DEV \*device, M372\_READ\_T \*pData, UINT32 \*count)

**Description:** Read LVDT/RVDT input values of the M372.

**Arguments:**    M372\_DEV \*device  
                  Pointer to M372 device.

                  M372\_READ\_T \*pData  
                  Measured pData:

```
typedef
{
    UINT16 lvd_val[4]; // LVDT inputs
} M372_READ_T
```

                  UINT32 \*count  
                  size of measured data in bytes.

**Returns:**        APIS error code or M372 library error code

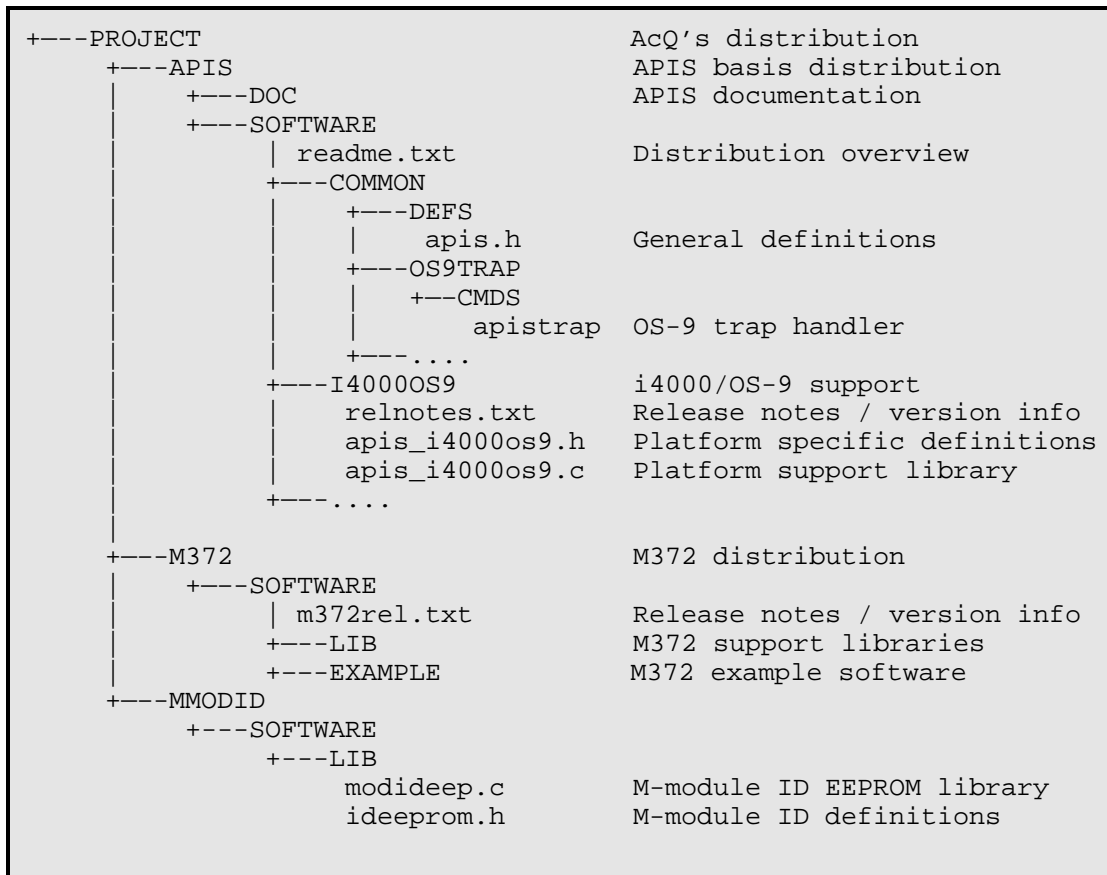
## 5.5. SOFTWARE DISTRIBUTION

This section gives an overview of the software distribution.

File	Description
<i>M372\SOFTWARE\m372rel.txt</i>	Release notes
<i>M372\SOFTWARE\LIB\m372lib.c</i>	ANSI-C M372 APIS software library
<i>M372\SOFTWARE\LIB\m372lib.h</i>	Definitions for the M372 library
<i>M372\SOFTWARE\LIB\m372defs.h</i>	Definitions for the M372
<i>M372\SOFTWARE\EXAMPLE\m372demo.c</i>	Demo program for M372
<i>M372\SOFTWARE\EXAMPLE\makefile.bor</i>	Borland C makefile for M372 on i2000
<i>M372\SOFTWARE\EXAMPLE\makefile.os9</i>	OS9 makefile for M372 on i4000
<i>MMODID\SOFTWARE\LIB\modideep.c</i>	ANSI-C ID EEPROM APIS software library
<i>MMODID\SOFTWARE\LIB\ideeprom.h</i>	Definitions for the ID EEPROM library

M372 example software is APIS based, therefore APIS support for the target platform is required for code generation.

The following figure is an example of the M372 software integrated in the APIS environment on an i4000/OS-9 target platform.



Code generation is platform dependent, for information on building the software please refer to the release notes of the target platform and the APIS Programmer's Manual.

## 6. ANNEX

### 6.1. BIBLIOGRAPHY

Specification for M-module interface and physical dimensions  
M-module specification manual, April 1996, MUMM.  
Simon-Schöffel-Strasse 21, D-90427 Nürnberg, Germany.

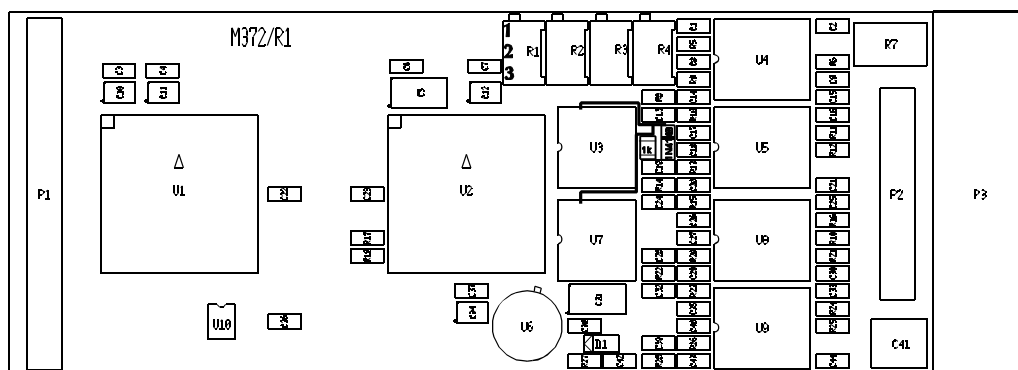
APIS Programmer's Manual  
AcQuisition Technology  
P.O. Box 627, 5340 AP Oss, The Netherlands.  
Downloadable from [www.acq.nl](http://www.acq.nl)

Data Sheet of the LMD12458 Data AcQuisition System  
National Semiconductor Corporation  
1111 West Bardin Road; Arlington, TX76017, United States

Data Sheet of the NM93C06  
Memory Databook  
National Semiconductor Corporation  
1111 West Bardin Road; Arlington, TX76017, United States

Data Sheet of the AD598 LVDT Signal Conditioner  
Special Linear Reference Manual  
Analog Devices Inc.  
One Technology Way, P.O. Box 9106, Norwood, MA 02062-9106, United States

### 6.2. COMPONENT IMAGE





### 6.3. TECHNICAL DATA

Slots on the base-board:

Requires one 16-bit M-module slot.

Connection:

To base-board via 40 pole M-module interface.

To peripheral via 25 pole D-sub connector.

Power supply:

+5VDC  $\pm 10\%$

+12VDC  $\pm 10\%$

-12VDC  $\pm 10\%$

Temperature range:

Operating: 0..+60°C.

Storage : -20..+70°C.

Humidity:

Class F, non-condensing.

### 6.4. DOCUMENT HISTORY

! Version 1.0

Replacement for M372 LVDT/RVDT Hardware Manual R1.1



## Artisan Technology Group is your source for quality new and certified-used/pre-owned equipment

- FAST SHIPPING AND DELIVERY
- TENS OF THOUSANDS OF IN-STOCK ITEMS
- EQUIPMENT DEMOS
- HUNDREDS OF MANUFACTURERS SUPPORTED
- LEASING/MONTHLY RENTALS
- ITAR CERTIFIED SECURE ASSET SOLUTIONS

### SERVICE CENTER REPAIRS

Experienced engineers and technicians on staff at our full-service, in-house repair center

### *InstraView*<sup>SM</sup> REMOTE INSPECTION

Remotely inspect equipment before purchasing with our interactive website at [www.instraview.com](http://www.instraview.com) ↗

### WE BUY USED EQUIPMENT

Sell your excess, underutilized, and idle used equipment. We also offer credit for buy-backs and trade-ins. [www.artisanng.com/WeBuyEquipment](http://www.artisanng.com/WeBuyEquipment) ↗

### LOOKING FOR MORE INFORMATION?

Visit us on the web at [www.artisanng.com](http://www.artisanng.com) ↗ for more information on price quotations, drivers, technical specifications, manuals, and documentation

**Contact us:** (888) 88-SOURCE | [sales@artisanng.com](mailto:sales@artisanng.com) | [www.artisanng.com](http://www.artisanng.com)