



Artisan Technology Group is your source for quality new and certified-used/pre-owned equipment

- FAST SHIPPING AND DELIVERY
- TENS OF THOUSANDS OF IN-STOCK ITEMS
- EQUIPMENT DEMOS
- HUNDREDS OF MANUFACTURERS SUPPORTED
- LEASING/MONTHLY RENTALS
- ITAR CERTIFIED SECURE ASSET SOLUTIONS

SERVICE CENTER REPAIRS

Experienced engineers and technicians on staff at our full-service, in-house repair center

*InstraView*SM REMOTE INSPECTION

Remotely inspect equipment before purchasing with our interactive website at www.instraview.com ↗

WE BUY USED EQUIPMENT

Sell your excess, underutilized, and idle used equipment. We also offer credit for buy-backs and trade-ins. www.artisanng.com/WeBuyEquipment ↗

LOOKING FOR MORE INFORMATION?

Visit us on the web at www.artisanng.com ↗ for more information on price quotations, drivers, technical specifications, manuals, and documentation

Contact us: (888) 88-SOURCE | sales@artisanng.com | www.artisanng.com

**Robot Stock List****Contact Us****About Us****Robot Applications****Robot Guide****Robot CAD-CAM****Robots Wanted****Spares****USA Website****ABB - IRB6000 industrial robot with S3 M93A Controller**

The ABB IRB 6000 is among one of the best value used industrial robots available today. Installed worldwide in great numbers these reliable workhorses have been used for many applications with great success. Setting the benchmarks for today's industrial robots the IRB 6000, as standard, has an impressive 2.4m reach and 120kg capacity. With speeds of up to 2.5 meters per second and only requiring minimal maintenance the IRB 6000 is an excellent choice. The S3 controller is straightforward and user friendly. Using the well liked ARLA programming language this robot is not only easy to program but offers good expandability. Usually supplied with 32 Inputs and 32 Outputs this can be increased to 96 In and 96 out and have the option of analogue I/O for applications such as sealing etc.

The IRB 6000 is also relatively straightforward to install. It has the computing power and built in safety to run a basic cell itself without the additional expense of PLC's and HMI's. Where they are required the S3 cabinet provides the space and connectivity to allow easy integration. The M93A controller has dual safety chains and is exceptionally fast to boot up.

Making extensive use of epicyclic (planetary) gears the IRB 6000 arm is remarkable both for its simplicity and its reliability. The 6 axis robotic arm uses brushless maintenance free Siemens AC servo motors. The robot is modular in design as its structural elements are all rigid steel casings and all bearings and cables are integrated and enclosed. As standard all 6 axis have electromechanical brakes which are applied when de-energised.

There are 4 main model types of the IRB6000 arm available, prices can depend on the availability of a certain model, for example the 3m version is comparatively rare:

Payload	Reach	Notes
120kg	2.4m	The standard IRB 6000 model
150kg	2.4m	Fitted with uprated axis 4 motor and modified parameters - some axis slightly slower
100kg	2.8m	Fitted with 404mm extension in the upper arm and modified parameters to give increased reach - at the expense of payload and lower speed
75kg	3.0m	Fitted with 606mm extension in the upper arm and modified parameters to give even more reach - at the expense of payload and lower speed

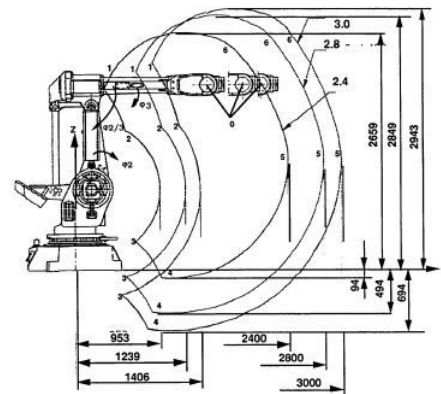
The IRB 6000 has a position resolution of 0.25mm and an accuracy of $< \pm 0.4\text{mm}$. The lifespan of an IRB 6000 depends a great deal on good service practice (although just once a year is normal for servicing) but we have seen examples in excellent condition showing excellent accuracy and noiseless operation with over 120,000 hours use. It is expected that 100,000 hours should be reached without any major problems in most instances. IRB 6000 M93A robots are still in everyday use with some major automotive manufacturers and are being used in a variety of applications, from spot welding to press tending and palletising.

Our IRB 6000s are supplied complete with the arm, control cabinet (including I/O), cables and teach pendant. We clean, test and repaint them before shipping and if you need manuals we can provide them. We have sold literally hundreds of these over the past few years and they really are an exceptionally good value way of automating simple processes.

We have arranged for Global Robots Customers to be able to get a free copy of PPM software's SPORT S3 backup. PPM also do offline programming software for the S3 robot system. See www.sportabb.no for details



2.8m IRB 6000 ready for loading



IRB 6000 work envelope diagram



This 150kg IRB6000 was installed by our customer in Portugal



S3 robot controller



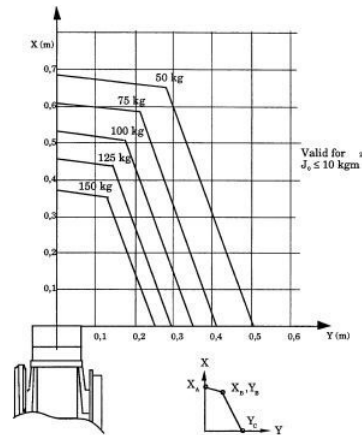
A few of the IRB 6000 in our UK stock



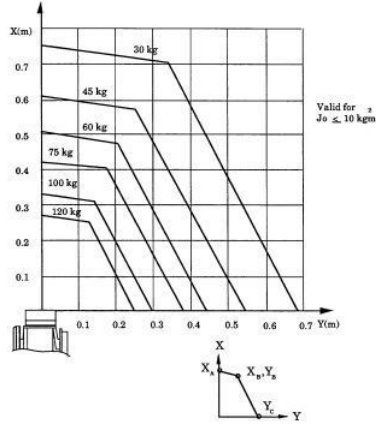
Another 2.8m IRB 6000 with its cabinet



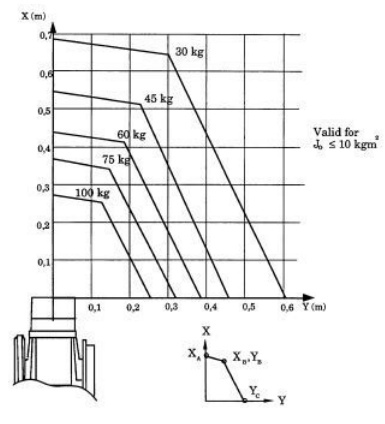
Close up of the S3 teach pendant



Loading diagram for the 150kg model



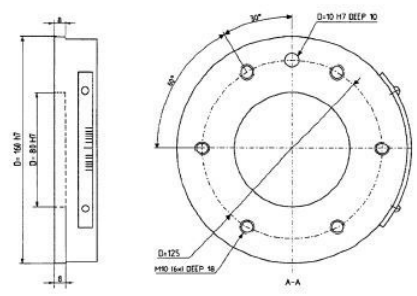
Loading diagram for the 120kg model



Loading diagram for the 100kg model



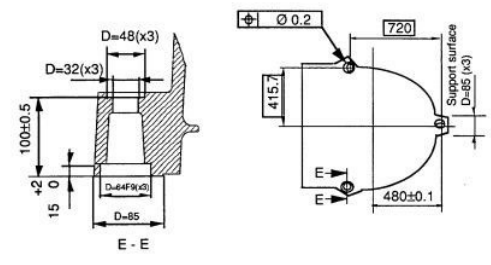
IRB 6000 spot welder



Dimensions for the mounting flange on axis 6



Inside the S3 controller



Dimensions for mounting the robot arm



IRB 6000 robots leaving our workshop



IRB 6000 robots spot welding in an automotive plant

Specification

Control: S3
Capacity: 75kg to 120kg
Reach: 2.4m to 3.0m

[Contact Global Robots Ltd](#)

[Return to our stock list of used industrial robots](#)

©2009 Global Robots Ltd.



Artisan Technology Group is your source for quality new and certified-used/pre-owned equipment

- FAST SHIPPING AND DELIVERY
- TENS OF THOUSANDS OF IN-STOCK ITEMS
- EQUIPMENT DEMOS
- HUNDREDS OF MANUFACTURERS SUPPORTED
- LEASING/MONTHLY RENTALS
- ITAR CERTIFIED SECURE ASSET SOLUTIONS

SERVICE CENTER REPAIRS

Experienced engineers and technicians on staff at our full-service, in-house repair center

*InstraView*SM REMOTE INSPECTION

Remotely inspect equipment before purchasing with our interactive website at www.instraview.com ↗

WE BUY USED EQUIPMENT

Sell your excess, underutilized, and idle used equipment. We also offer credit for buy-backs and trade-ins. www.artisanng.com/WeBuyEquipment ↗

LOOKING FOR MORE INFORMATION?

Visit us on the web at www.artisanng.com ↗ for more information on price quotations, drivers, technical specifications, manuals, and documentation

Contact us: (888) 88-SOURCE | sales@artisanng.com | www.artisanng.com