



## Artisan Technology Group is your source for quality new and certified-used/pre-owned equipment

- FAST SHIPPING AND DELIVERY
- TENS OF THOUSANDS OF IN-STOCK ITEMS
- EQUIPMENT DEMOS
- HUNDREDS OF MANUFACTURERS SUPPORTED
- LEASING/MONTHLY RENTALS
- ITAR CERTIFIED SECURE ASSET SOLUTIONS

### SERVICE CENTER REPAIRS

Experienced engineers and technicians on staff at our full-service, in-house repair center

### *InstraView*<sup>SM</sup> REMOTE INSPECTION

Remotely inspect equipment before purchasing with our interactive website at [www.instraview.com](http://www.instraview.com) ↗

### WE BUY USED EQUIPMENT

Sell your excess, underutilized, and idle used equipment. We also offer credit for buy-backs and trade-ins. [www.artisanng.com/WeBuyEquipment](http://www.artisanng.com/WeBuyEquipment) ↗

### LOOKING FOR MORE INFORMATION?

Visit us on the web at [www.artisanng.com](http://www.artisanng.com) ↗ for more information on price quotations, drivers, technical specifications, manuals, and documentation

**Contact us:** (888) 88-SOURCE | [sales@artisanng.com](mailto:sales@artisanng.com) | [www.artisanng.com](http://www.artisanng.com)



ACCES I/O Products, Inc. | 10623 Roselle Street | San Diego CA 92121-1506 | 800 326 1649

## PCI-DIO-120/96/72 Digital Input/Output Cards

### FEATURES

[Specifications](#)

- Call for PCI-X, 3.3V Compatibility
- Up to 120 channels of digital I/O
- All I/O lines buffered on the card
- Four- and eight-bit groups independently selectable for I/O on each 24-bit port
- Hysteresis correction and choice of pull-up and pull-down resistors on I/O lines
- Interrupt and interrupt-disable capability
- Tri-stateable I/O ports under software control
- +5V supply available to user
- Compatible with industry standard I/O racks like Gordos, Opto-22, Potter & Brumfield, Western Reserve Controls, etc.
- Automatically detected by Windows 95/98/NT
- No base address or IRQ switches to set



### FUNCTIONAL DESCRIPTION

The PCI-DIO-120, PCI-DIO-96 and PCI-DIO-72 are parallel digital input/output cards designed for use in PCI-Bus computers. The same printed circuit board is used for all three models and is populated for 120 bits, 96 bits and 72 bits respectively. The card is 12.2 inches (310 mm) long and may be installed in any 5-volt PCI slot in IBM and compatible computers.

The cards are designed for industrial applications and should be installed in a long PCI slot of an IBM or compatible computer. Each I/O line is buffered and capable of sourcing 15 mA or sinking 24 mA (64 mA on request). The card contains Programmable Peripheral Interface chips type 8255-5 (PPI) to provide computer interface to the digital I/O lines. Each PPI supports three 8-bit groups A, B, and C. Each 8-bit group can be configured to function as either inputs or latched outputs. Group C can also be configured as four inputs and four output latches. The I/O line buffers are configured automatically by hardware logic for input or output use according to the PPI control register direction software assignment.

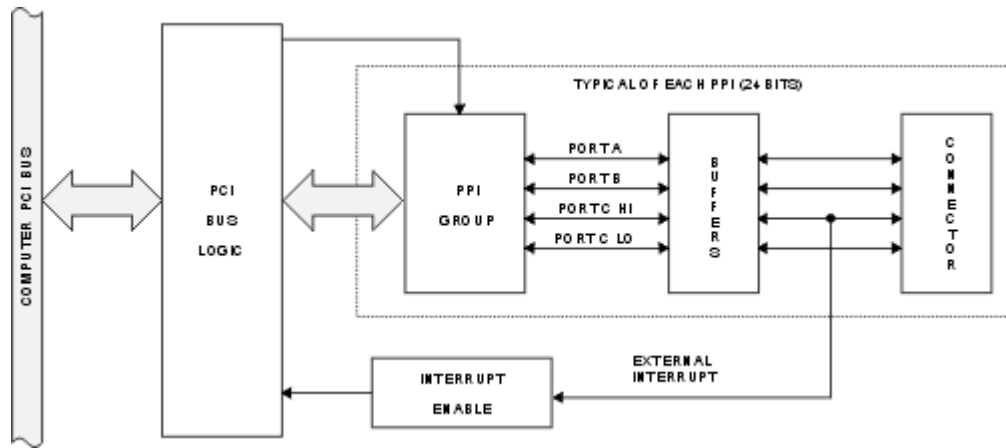
Outputs of the I/O buffers are pulled up through 10K resistors to +5VDC. Outputs can be changed to pull down by jumper selection on the card. This pull-up/pull-down arrangement assures that there are no erroneous outputs at power-up until the card is initialized by system software. The I/O buffers may be tristated under program control.

Two I/O Lines of each port can be used to interface User Interrupts to the computer. Interrupts of all ports (one per port) are OR'ed together and the Interrupt level is assigned by the system. I/O wiring connections are via 50-pin headers on the board. Every second conductor of the flat cables is grounded to minimize the effect of crosstalk between signals.

The cards occupy up to 32 registers within the PCI address space. When the card is first installed, Windows 95/98/NT will detect it as new hardware and assign it an IRQ number and base address. There are no switches to set or base addresses to assign, making it easy to use. You cannot set or change the card's base address, you can only determine what the system has assigned. The PCI Bus supports 64K of I/O address space so your card's address may be located anywhere in the 0000 to FFFF range.

[Return to top of page](#)

### Specifications



[Return to Product Description](#)

## Digital Inputs

- Logic High: 2.0 to 5.0 VDC.
- Logic Low: -0.5 to +0.8 VDC.
- Input Load (Hi): 20 uA.
- Input Load (Lo): -200 uA.

## Digital Outputs

- Logic High: 2.5 VDC min., source 15 mA.
- Logic Low: 0.5 VDC max., sink 24 mA (64 mA optional).

## Power Output

- PCI-DIO-72: +5 VDC at 350 mA typical
- PCI-DIO-96: +5 VDC at 400 mA typical
- PCI-DIO-120: +5 VDC at 450 mA typical

## Power Requirements

- +5 VDC at 200 mA typical

## Size

- 12.2" (310 mm) long

## Environmental

- Operating Temperature Range: 0° to 60°C.
- Storage Temperature Range: -50° to +120°C.
- Humidity: 0 to 90% RH, non-condensing.

**Regulatory Compliance** 

Declaration of Conformity, and Test Reports are on file. Users must use appropriate shielded cables.



## Artisan Technology Group is your source for quality new and certified-used/pre-owned equipment

- FAST SHIPPING AND DELIVERY
- TENS OF THOUSANDS OF IN-STOCK ITEMS
- EQUIPMENT DEMOS
- HUNDREDS OF MANUFACTURERS SUPPORTED
- LEASING/MONTHLY RENTALS
- ITAR CERTIFIED SECURE ASSET SOLUTIONS

### SERVICE CENTER REPAIRS

Experienced engineers and technicians on staff at our full-service, in-house repair center

### *InstraView*<sup>SM</sup> REMOTE INSPECTION

Remotely inspect equipment before purchasing with our interactive website at [www.instraview.com](http://www.instraview.com) ↗

### WE BUY USED EQUIPMENT

Sell your excess, underutilized, and idle used equipment. We also offer credit for buy-backs and trade-ins. [www.artisanng.com/WeBuyEquipment](http://www.artisanng.com/WeBuyEquipment) ↗

### LOOKING FOR MORE INFORMATION?

Visit us on the web at [www.artisanng.com](http://www.artisanng.com) ↗ for more information on price quotations, drivers, technical specifications, manuals, and documentation

**Contact us:** (888) 88-SOURCE | [sales@artisanng.com](mailto:sales@artisanng.com) | [www.artisanng.com](http://www.artisanng.com)