



Artisan Technology Group is your source for quality new and certified-used/pre-owned equipment

- FAST SHIPPING AND DELIVERY
- TENS OF THOUSANDS OF IN-STOCK ITEMS
- EQUIPMENT DEMOS
- HUNDREDS OF MANUFACTURERS SUPPORTED
- LEASING/MONTHLY RENTALS
- ITAR CERTIFIED SECURE ASSET SOLUTIONS

SERVICE CENTER REPAIRS

Experienced engineers and technicians on staff at our full-service, in-house repair center

*InstraView*SM REMOTE INSPECTION

Remotely inspect equipment before purchasing with our interactive website at www.instraview.com ↗

WE BUY USED EQUIPMENT

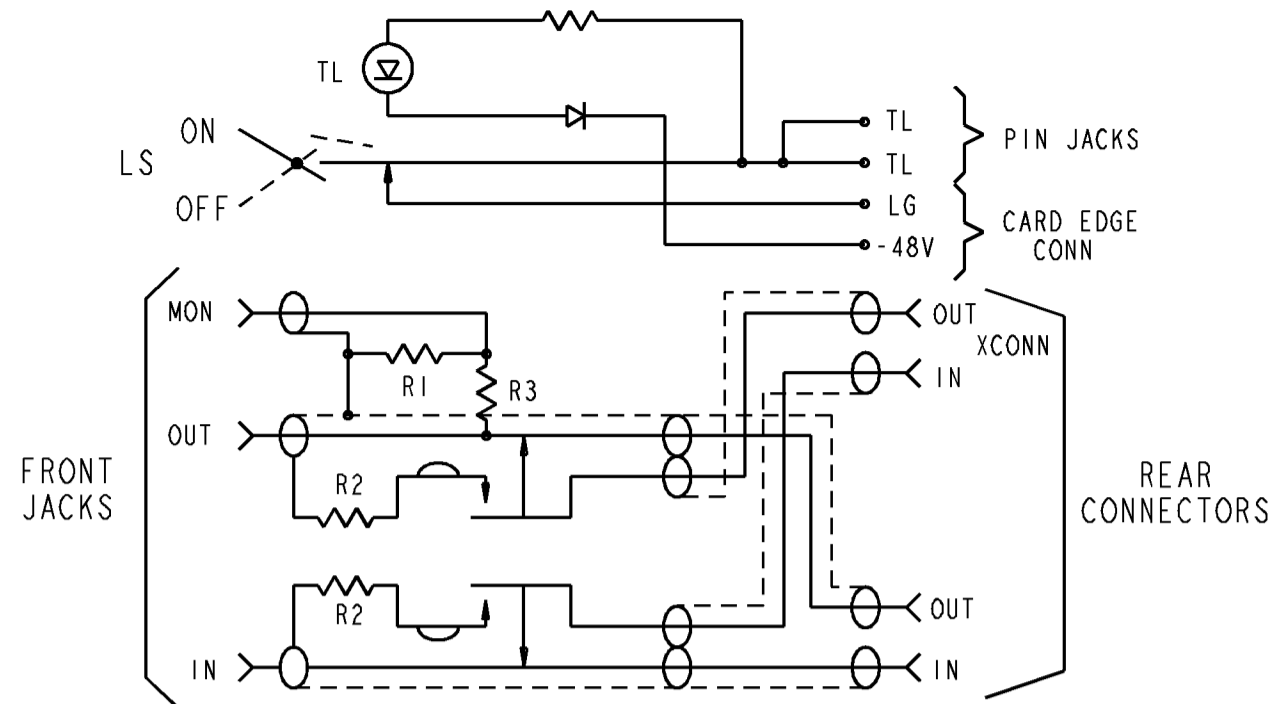
Sell your excess, underutilized, and idle used equipment. We also offer credit for buy-backs and trade-ins. www.artisanng.com/WeBuyEquipment ↗

LOOKING FOR MORE INFORMATION?

Visit us on the web at www.artisanng.com ↗ for more information on price quotations, drivers, technical specifications, manuals, and documentation

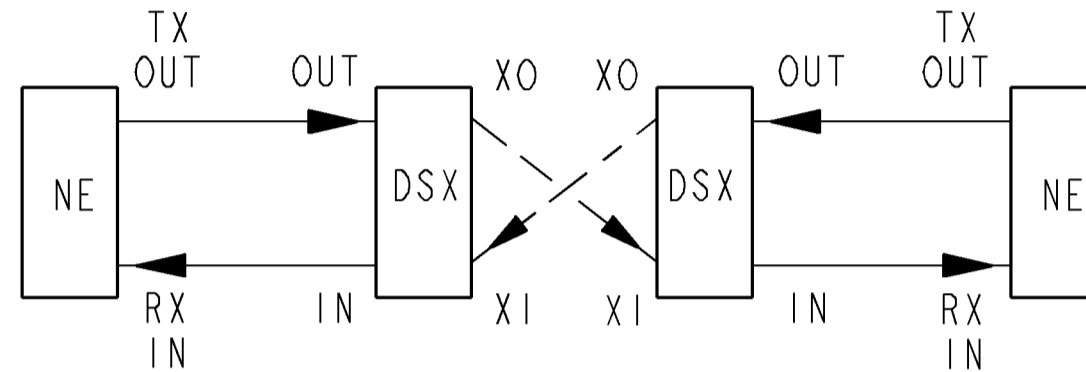
Contact us: (888) 88-SOURCE | sales@artisanng.com | www.artisanng.com

REV	ECO	DWN	DATE
A	20101825	HLM	28-SEP-01
B	20131683	CSW	25-FEB-03



SCHEMATIC

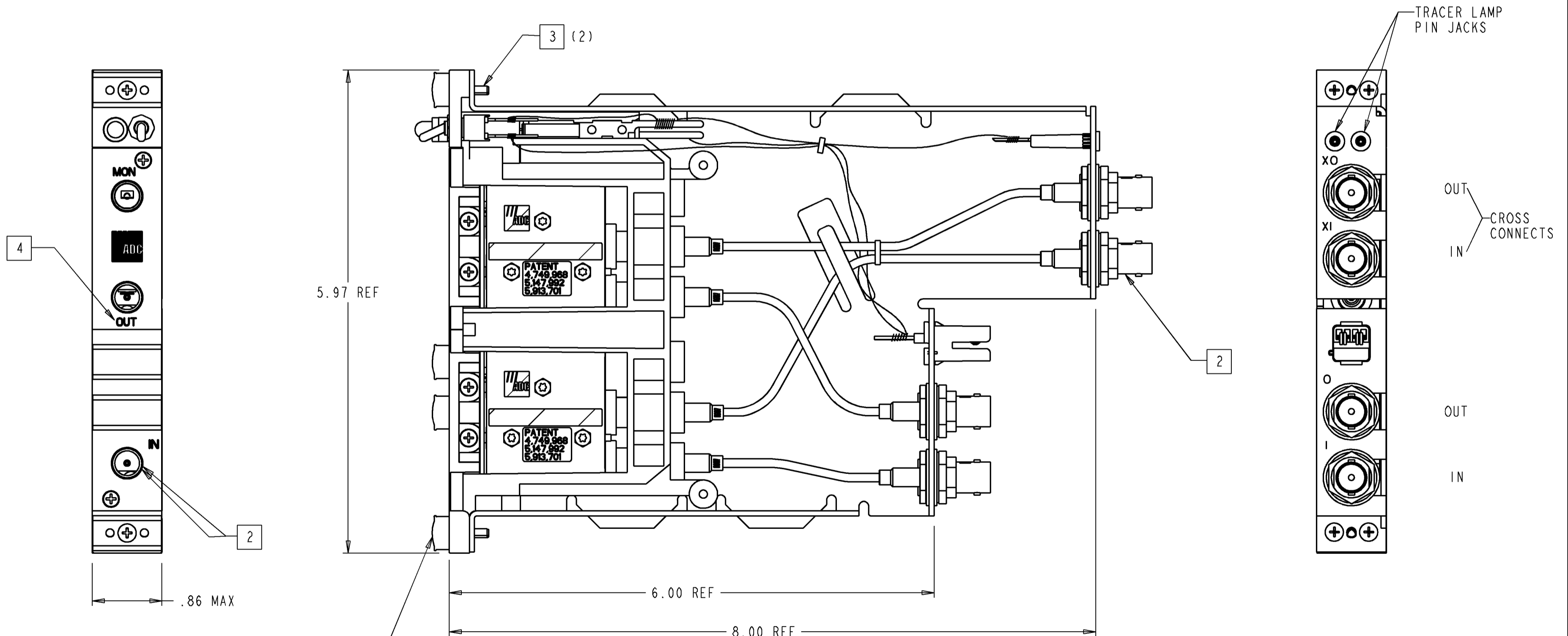
LS = LAMP SWITCH
 TL = TRACER LAMP -48V RED
 R1 = 93.1 OHM 1/8 WATT RESISTOR
 R2 = 75OHM 1/8 WATT RESISTOR
 R3 = 464 OHM 1/8 WATT RESISTOR



DSX-3 APPLICATION DIAGRAM

NOTES:

- ONE COPY OF THIS DRAWING IS INCLUDED WITH UNIT.
- FRONT JACKS ARE 75 OHM MID-SIZE COAX ACCEPTING .049 DIA CENTER CONDUCTORS. REAR CONNECTORS ARE 75 OHM BNC.
- ATTACHED TO UNIT ARE (2) #4-40 X .50 PANHEAD MOUNTING SCREWS FOR FRONT ATTACHMENT.
- CIRCUIT MARKED AS SHOWN TO IDENTIFY ROW FUNCTIONS.
- WARNING: NEVER INSTALL TELEPHONE EQUIPMENT IN A WET LOCATION OR DURING A LIGHTNING STORM. WHEN INSTALLING OR MODIFYING TELEPHONE LINES, DISCONNECT LINES AT THE NETWORK INTERFACE BEFORE WORKING WITH UNINSULATED LINES OR TERMINALS.



HORIZONTAL DESIGNATION STRIPS, CARDS AND WINDOWS INCLUDED (4)

CATALOG NO: DSX-4H-MBRC



INFORMATION ON THIS DOCUMENT IS PROPRIETARY TO ADC AND SHALL NOT BE USED, COPIED, REPRODUCED OR DISCLOSED IN WHOLE OR IN PART WITHOUT WRITTEN CONSENT OF ADC.		TITLE DS-3 MODULAR POS MID/STD, SGL MON (INSTALLATION DRAWING)	
ALL DIMS AND TOLERANCES ARE INCHES UNLESS OTHERWISE SPECIFIED	.XX:±N/A .XXX:±N/A ANGULAR:±N/A	C SIZE	DRAWING NUMBER 1200229
DO NOT SCALE DRAWING		ENGR: DENNIS BURROUGHS DWN: HEIDI MILLER	B REV
		SHT. 1 OF 1	

DIMENSIONS IN INCHES
 THIRD ANGLE PROJECTION



Artisan Technology Group is your source for quality new and certified-used/pre-owned equipment

- FAST SHIPPING AND DELIVERY
- TENS OF THOUSANDS OF IN-STOCK ITEMS
- EQUIPMENT DEMOS
- HUNDREDS OF MANUFACTURERS SUPPORTED
- LEASING/MONTHLY RENTALS
- ITAR CERTIFIED SECURE ASSET SOLUTIONS

SERVICE CENTER REPAIRS

Experienced engineers and technicians on staff at our full-service, in-house repair center

*InstraView*SM REMOTE INSPECTION

Remotely inspect equipment before purchasing with our interactive website at www.instraview.com ↗

WE BUY USED EQUIPMENT

Sell your excess, underutilized, and idle used equipment. We also offer credit for buy-backs and trade-ins. www.artisanng.com/WeBuyEquipment ↗

LOOKING FOR MORE INFORMATION?

Visit us on the web at www.artisanng.com ↗ for more information on price quotations, drivers, technical specifications, manuals, and documentation

Contact us: (888) 88-SOURCE | sales@artisanng.com | www.artisanng.com