



Artisan Technology Group is your source for quality new and certified-used/pre-owned equipment

- FAST SHIPPING AND DELIVERY
- TENS OF THOUSANDS OF IN-STOCK ITEMS
- EQUIPMENT DEMOS
- HUNDREDS OF MANUFACTURERS SUPPORTED
- LEASING/MONTHLY RENTALS
- ITAR CERTIFIED SECURE ASSET SOLUTIONS

SERVICE CENTER REPAIRS

Experienced engineers and technicians on staff at our full-service, in-house repair center

*InstraView*SM REMOTE INSPECTION

Remotely inspect equipment before purchasing with our interactive website at www.instraview.com ↗

WE BUY USED EQUIPMENT

Sell your excess, underutilized, and idle used equipment. We also offer credit for buy-backs and trade-ins. www.artisanng.com/WeBuyEquipment ↗

LOOKING FOR MORE INFORMATION?

Visit us on the web at www.artisanng.com ↗ for more information on price quotations, drivers, technical specifications, manuals, and documentation

Contact us: (888) 88-SOURCE | sales@artisanng.com | www.artisanng.com

FPM-3150

Industrial 15" Flat Panel Monitor with Direct-VGA Port



Features

- 15" XGA TFT LCD with resolution up to 1024 X 768
- Stainless steel chassis with NEMA4/IP65-compliant aluminum front panel
- High luminance up to 350 cd/m²
- Auto-recognition of input signal
- Rack, panel or wallmount
- Supports VESA arm, desktop stand
- VGA Cable transmission up to 50 m (option)

Introduction

The FPM-3150 is a 15-inch color TFT LCD flat panel monitor specifically designed for industrial applications. With a viewing size as large as 15", it presents an ample display area as well as vivid and sharp images for your HMI. The FPM-3150 features Direct-VGA signal transmission, which allows a regular VGA control card to be used on your system. Users can thus upgrade the display without making changes to the existing system. Its on screen display function also allows users to adjust the images on screen with ease. The whole chassis is stainless steel and the front panel is made of aluminum with NEMA4/IP65 compliance.

Specification

- **Front Panel:** aluminum, NEMA4/IP65 compliant
- **Mounting:** panel mount, wallmount, desktop, VESA arm, or 19" rackmount with optional mounting kit
- **Dimensions (W x H x D):** 428 x 310 x 86 mm (16.9" x 12.2" x 3.4")
- **Gross Weight:** 7 kgs (15.4 lbs)
- **I/O Port:** VGA, DC power input, power switch, and RS-232 port (Touchscreen version only)
- **Control:** OSD (on screen display) Control Pads on the front panel
- **Power:** external 48 W power adapter, with AC 100 V ~ 230 V input and DC +12 V @ 4 A output
- **Operating Temperature:** 0° ~ 50° C (32° ~ 122° F)
- **Storage Temp:** -20° ~ 60° C (-4° ~ 140° F)
- **Storage Humidity:** 5 ~ 95% non-condensing
- **Vibration (operating):** 5 ~ 17 Hz, double-amplitude displacement 17 ~ 500 Hz, 1.0 G peak to peak
- CE, FCC, BSMI, CCIB compliant

LCD Display

Display type	XGA TFT LCD
Display size	15"
Max. colors	Full color (16.7 million)
Max. resolution	1024 X 768
View angle	130° (H), 110° (V)
Luminance	350 cd/m ² 4 CCFL
Storage temperature	-20° ~ 60° C (-4° ~ 140° F)
Operating temperature	0° ~ 50° C (32° ~ 122° F)
Backlight lifetime	50,000 hrs
Contrast ratio	350 : 1

Touchscreen (optional)

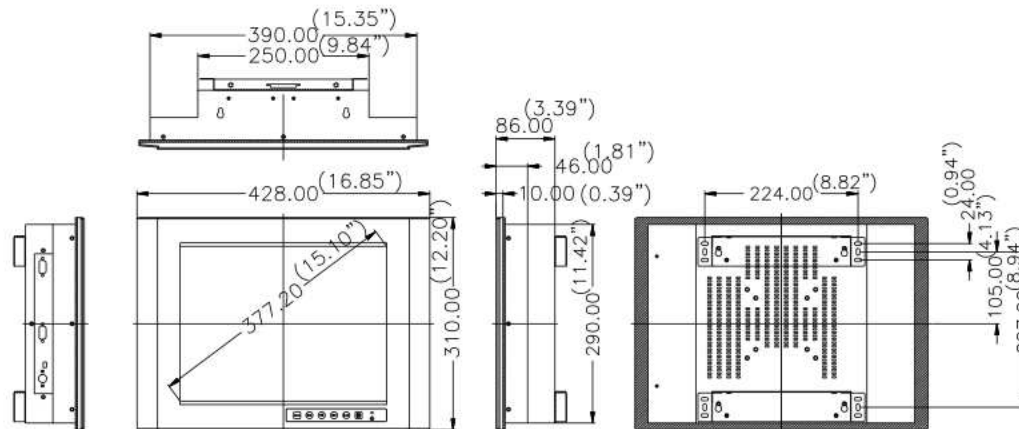
- **Type:** 8 wire, analog resistive or capacitive sensor
- **Resolution:** continuous
- **Light Transmission:** 75% (resistive)
88% (capactive)
- **Operating Pressure:** 30 ~ 45 gram for stylus pen, contact bounce < 10 ms
- **Controller:** RS-232 interface
- **Power Consumption:** +5 V @ 200 mA
- **OS Support:** MS-DOS, Windows 3.1/95/98/NT/2000/XP
- **Lifespan:** 100 million touches (resistive)
220 million touches (capactive)



Industrial 15" Flat Panel Monitor with Direct-VGA Port

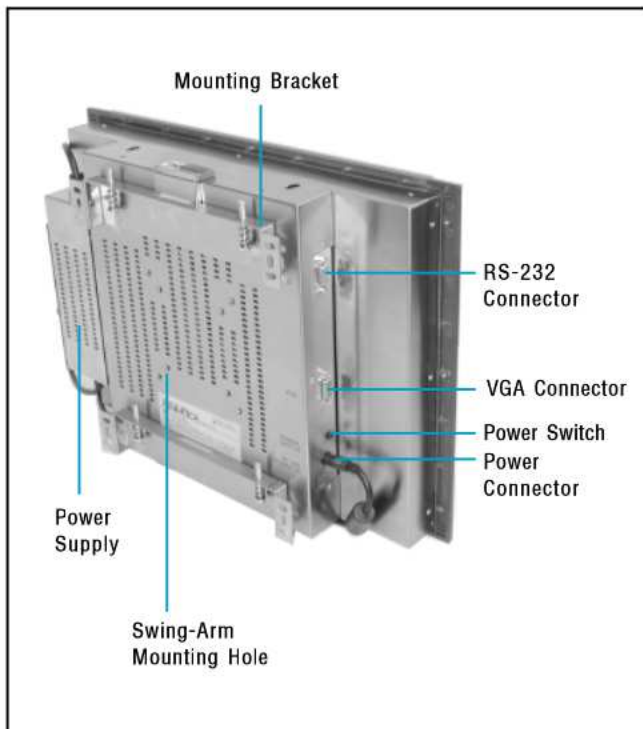
Dimensions

Unit: mm (inch)



Cut-out dimension: 396 x 296 mm (15.6" x 11.6")

Rear View



Ordering Information

FPM-3150TVE

Industrial flat panel monitor, VGA interface 15" LCD display and AC 100~230 V input 48W power adapter

FPM-3150TVE-T

FPM-3150TVE with analog resistive touchscreen (RS-232 interface)

FPM-3150TVE-TC

FPM-3150TVE with capacitive touchscreen (RS-232 interface)

FPM-3150 Rack-MT

Mounting kit for 19" industrial rack

Accessories

1700155001	50 M VGA cable for FPM-series
1700153000	30 M VGA cable for FPM-series
1700152000	20 M VGA cable for FPM-series
1700151000	10 M VGA cable for FPM-series
1700155000	5 M VGA cable for FPM-series
9689000355	RS-232/485 converter for T/S (USA)
9689000356	RS-232/485 converter for T/S (UK)
9689000357	RS-232/485 converter for T/S (FR)
1700090000	10 M cable for T/S
1700090001	4.5 M cable for T/S
1700090002	3 M cable for T/S

Option

4 mm standless front panel support by request



Artisan Technology Group is your source for quality new and certified-used/pre-owned equipment

- FAST SHIPPING AND DELIVERY
- TENS OF THOUSANDS OF IN-STOCK ITEMS
- EQUIPMENT DEMOS
- HUNDREDS OF MANUFACTURERS SUPPORTED
- LEASING/MONTHLY RENTALS
- ITAR CERTIFIED SECURE ASSET SOLUTIONS

SERVICE CENTER REPAIRS

Experienced engineers and technicians on staff at our full-service, in-house repair center

*InstraView*SM REMOTE INSPECTION

Remotely inspect equipment before purchasing with our interactive website at www.instraview.com ↗

WE BUY USED EQUIPMENT

Sell your excess, underutilized, and idle used equipment. We also offer credit for buy-backs and trade-ins. www.artisanng.com/WeBuyEquipment ↗

LOOKING FOR MORE INFORMATION?

Visit us on the web at www.artisanng.com ↗ for more information on price quotations, drivers, technical specifications, manuals, and documentation

Contact us: (888) 88-SOURCE | sales@artisanng.com | www.artisanng.com