



Artisan Technology Group is your source for quality new and certified-used/pre-owned equipment

- FAST SHIPPING AND DELIVERY
- TENS OF THOUSANDS OF IN-STOCK ITEMS
- EQUIPMENT DEMOS
- HUNDREDS OF MANUFACTURERS SUPPORTED
- LEASING/MONTHLY RENTALS
- ITAR CERTIFIED SECURE ASSET SOLUTIONS

SERVICE CENTER REPAIRS

Experienced engineers and technicians on staff at our full-service, in-house repair center

*InstraView*SM REMOTE INSPECTION

Remotely inspect equipment before purchasing with our interactive website at www.instraview.com ↗

WE BUY USED EQUIPMENT

Sell your excess, underutilized, and idle used equipment. We also offer credit for buy-backs and trade-ins. www.artisanng.com/WeBuyEquipment ↗

LOOKING FOR MORE INFORMATION?

Visit us on the web at www.artisanng.com ↗ for more information on price quotations, drivers, technical specifications, manuals, and documentation

Contact us: (888) 88-SOURCE | sales@artisanng.com | www.artisanng.com

Agilent 16048B Test Leads

Operating Note

Third Edition



Agilent Technologies

Agilent Part No. 16048-90012

May 2000

Printed in Japan

Notices

The information contained in this document is subject to change without notice.

This document contains proprietary information that is protected by copyright. All rights are reserved. No part of this document may be photocopied, reproduced, or translated to another language without the prior written consent of the Agilent Technologies.

Agilent Technologies Japan, Ltd.

Component Test PGU-Kobe

1-3-2, Murotani, Nishi-Ku, Kobe-shi, Hyogo, 651-2241 Japan

Copyright © Agilent Technologies Japan, Ltd. 1996, 1998, 2000

Manual Printing History

The manual's printing date and part number indicate its current edition. The printing date changes when a new edition is printed. (Minor corrections and updates that are incorporated at reprint do not cause the date to change.) The manual part number changes when extensive technical changes are incorporated.

August 1996 First Edition (part number : 16048-90011)

November 1998 Second Edition (part number : 16048-90012)

May 2000 Third Edition (part number : 16048-90012)

Safety Summary

The following general safety precautions must be observed during all phases of operation, service, and repair of this instrument. Failure to comply with these precautions or with specific WARNINGS elsewhere in this manual may impair the protection provided by the equipment. In addition it violates safety standards of design, manufacture, and intended use of the instrument.

Agilent Technologies assumes no liability for the customer's failure to comply with these requirements.

- **Ground The Instrument**

To avoid electric shock hazard, the instrument chassis and cabinet must be connected to a safety earth ground by the supplied power cable with earth blade.

- **DO NOT Operate In An Explosive Atmosphere**

Do not operate the instrument in the presence of flammable gasses or fumes. Operation of any electrical instrument in such an environment constitutes a definite safety hazard.

- Keep Away From Live Circuits

Operating personnel must not remove instrument covers. Component replacement and internal adjustments must be made by qualified maintenance personnel. Do not replace components with the power cable connected. Under certain conditions, dangerous voltages may exist even with the power cable removed. To avoid injuries, always disconnect power and discharge circuits before touching them.

- DO NOT Service Or Adjust Alone

Do not attempt internal service or adjustment unless another person, capable of rendering first aid and resuscitation, is present.

- DO NOT Substitute Parts Or Modify Instrument

Because of the danger of introducing additional hazards, do not install substitute parts or perform unauthorized modifications to the instrument. Return the instrument to a Agilent Technologies Sales and Service Office for service and repair to ensure that safety features are maintained.

- Dangerous Procedure Warnings

Warnings, such as the example below, precede potentially dangerous procedures throughout this manual. Instructions contained in the warnings must be followed.

WARNING

Dangerous voltages, capable of causing death, are presenting this instrument. Use extreme caution when handling, testing, and adjusting this instrument.

Certification

Agilent Technologies certifies that this product met its published specifications at the time of shipment from the factory. Agilent Technologies further certifies that its calibration measurements are traceable to the United States National Institute of Standards and Technology, to the extent allowed by the Institution's calibration facility, or to the calibration facilities of other International Standards Organization members.

Warranty

This Agilent Technologies instrument product is warranted against defects in material and workmanship for a period corresponding to the individual warranty periods of its component products. Instruments are warranted for a period of one year. Fixtures and adapters are warranted for a period of 90 days. During the warranty period, Agilent Technologies Company will, at its option, either repair or replace products that prove to be defective.

For warranty service or repair, this product must be returned to a service facility designated by Agilent Technologies. Buyer shall prepay shipping charges to Agilent Technologies and Agilent Technologies shall pay shipping charges to return the product to Buyer. However, Buyer shall pay all shipping charges, duties, and taxes for products returned to Agilent

Technologies from another country.

Agilent Technologies warrants that its software and firmware designated by Agilent Technologies for use with an instrument will execute its programming instruction when properly installed on that instrument. Agilent Technologies does not warrant that the operation of the instrument, or software, or firmware will be uninterrupted or error free.

Limitation of Warranty

The foregoing warranty shall not apply to defects resulting from improper or inadequate maintenance by Buyer, Buyer-supplied software or interfacing, unauthorized modification or misuse, operation outside the environmental specifications for the product, or improper site preparation or maintenance.

IMPORTANT

No other warranty is expressed or implied. Agilent Technologies specifically disclaims the implied warranties of merchantability and fitness for a particular purpose.

Exclusive Remedies

The remedies provided herein are buyer's sole and exclusive remedies. Agilent Technologies shall not be liable for any direct, indirect, special, incidental, or consequential damages, whether based on contract, tort, or any other legal theory.

Assistance

Product maintenance agreements and other customer assistance agreements are available for Agilent Technologies products.

For any assistance, contact your nearest Agilent Technologies Sales and Service Office.

Addresses are provided at the back of this manual.

**Agilent 16048B
Test Leads**

MANUAL IDENTIFICATION

Model Number: 16048B
Date Printed: May 2000
Part Number: 16048-90012

Operating Note

This supplement contains information for correcting manual errors and for adapting the manual to newer instruments that contains improvements or modifications not documented in the existing manual.

To use this supplement

1. Make all ERRATA corrections
2. Make all appropriate serial-number-related changes listed below

SERIAL PREFIX OR NUMBER CHANGES	MAKE MANUAL
------------------------------------	-------------

A11	1

◆ New Item

SERIAL PREFIX OR NUMBER CHANGES	MAKE MANUAL
------------------------------------	-------------

ERRATA

CHANGES 1

CHANGE 1 contains the information needed to adapt the 16048B's manual.

Page 1-2 Specification

Add the following information.

Maximum Voltage.....±40V peak max. (AC + DC)

NOTE

Manual change supplement are revised as often as necessary to keep manuals as current and accurate as possible. Agilent Technologies recommends that you periodically request the latest edition of this supplement. Free copies are available from all Agilent Technologies offices. When requesting copies, quote the manual identification information from your supplement, or the model number and print date from the title page of the manual.

General Information

Introduction

This operation note provides the information for operating and maintaining the HP 16048B Test Leads.

Description

The HP 16048B is a direct attachment, 4-terminal pair type fixture which is equipped with four SMC(f) terminated coaxial test leads. These test leads are used to attach user-fabricated test fixtures to the instruments.

The HP 16048B has been designed for use with the following instruments:

- HP 4263B LCR Meter
- HP 4278A 1 kHz / 1 MHz Capacitance Meter
- HP 4279A 1 MHz C-V Meter
- HP 4284A Precision LCR Meter
- HP 4285A Precision LCR Meter
- HP 4192A LF Impedance Analyzer
- HP 4194A Impedance / Gain Phase Analyzer

The HP 16048B has inherent stray capacitance, residual inductance and residual resistance that affect the accuracy of measured value. The measurement errors caused by these residuals are minimized by using the instrument's error correction functions. The measurement accuracy when the open, short, and cable length corrections are performed is described in the specifications section of the instrument's operation manual.

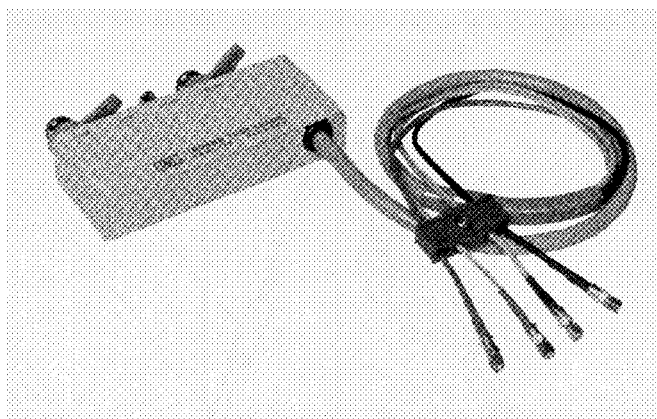


Figure 1-1. HP 16048B Test Leads

Specification

Connector Type	SMC (female)
Cable Length	Approximately 1 meter (39.4 inches)
Weight	250 grams (0.55 lbs)

Operation

Setup and measurement procedure

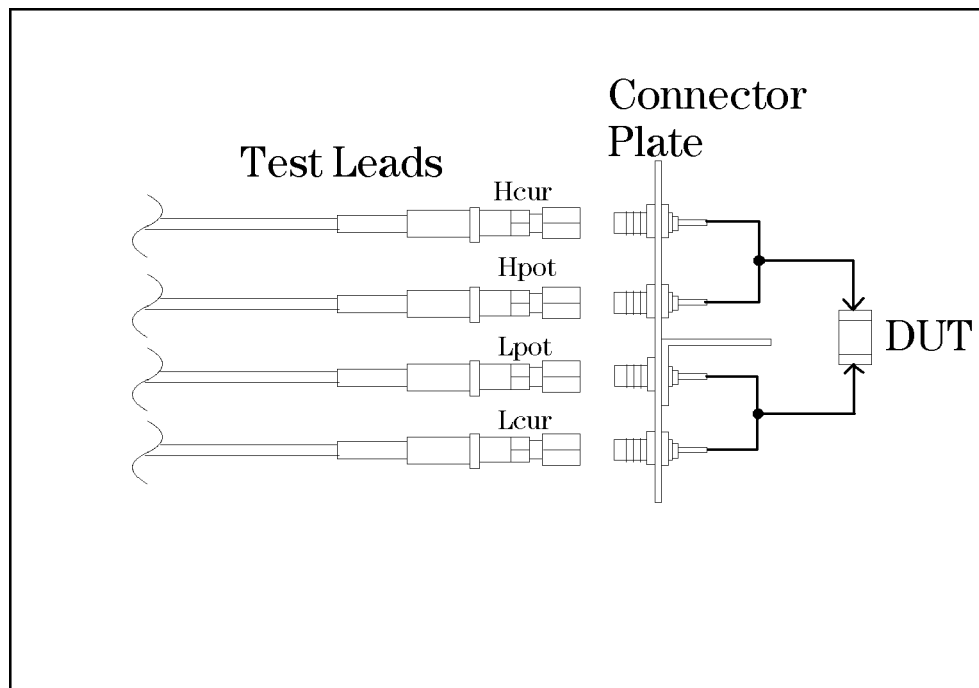
1. Connect the HP 16048B directly to the UNKNOWN terminals of the instrument.
2. Connect the user-fabricated test fixture to the test leads.
3. Perform the cable length correction (Set the cable length to 1 meter).
4. Perform the open/short correction at the measurement terminal of the test fixture.

Then you can perform measurement at the test fixture.

For more detail about the cable length correction and open/short correction procedure, refer to the instrument's operation manual.

Using the connector plate

The connector plate is furnished with the HP 16048B. Figure 1-2 shows an example to use the connector plate with the HP 16048B. By connecting the HP 16048B to the connector plate, the HP 16048B's outer shield conductors are connected together to construct the four-terminal-pair measurement circuit configuration. For more detail about the four-terminal-pair measurement, refer to the instrument's operation manual.



A8101001

Figure 1-2. Connector Plate Application

1-2 General Information

Maintenance

Maintenance principally consists of cleaning contacts and replacing worn or damaged parts. Figure 2-1 shows the HP 16048B replaceable parts. Only the parts whose part numbers are in the parts list are replaceable. Use the correct Hewlett-Packard part number when ordering replaceable parts.

Table 2-1. Replaceable Parts List

Reference Designator	HP Part Number	Qty.	Description	Note
6	2360-0192	2	Screw	
11	2200-0105	1	Screw	
12	2190-0206	1	Washer	
13	16047-40000	1	Stopper	
15	16048-04001	1	Cover-Top	
16	1400-0719	2	Tie Rap	
21	2360-0113	1	Screw	
22	3050-0010	1	Washer	
23	16021-50021	1	Cable Cramp	
24	16021-50022	1	Cable Cramp	
30	1250-1164	4	Connector Body	
	16048-60030	1	Test Lead	1 thru 30
31	1250-0829	4	Connector-RF	
32	2360-0115	2	Screw	
33	16033-10021	1	Plate	
34	16032-10022	1	Plate	
35	2190-0124	4	Washer	
36	2950-0078	4	Nut	
37	16033-60001	1	Connector Ass'y	31 thru 36

Note



The parts not shown in Table 2-1 cannot be replaced separately. When these non-replaceable parts are worn or damaged, replace the whole test lead assembly (PN 16048-60030). 16048-60030 is Agilent internal-only part number.

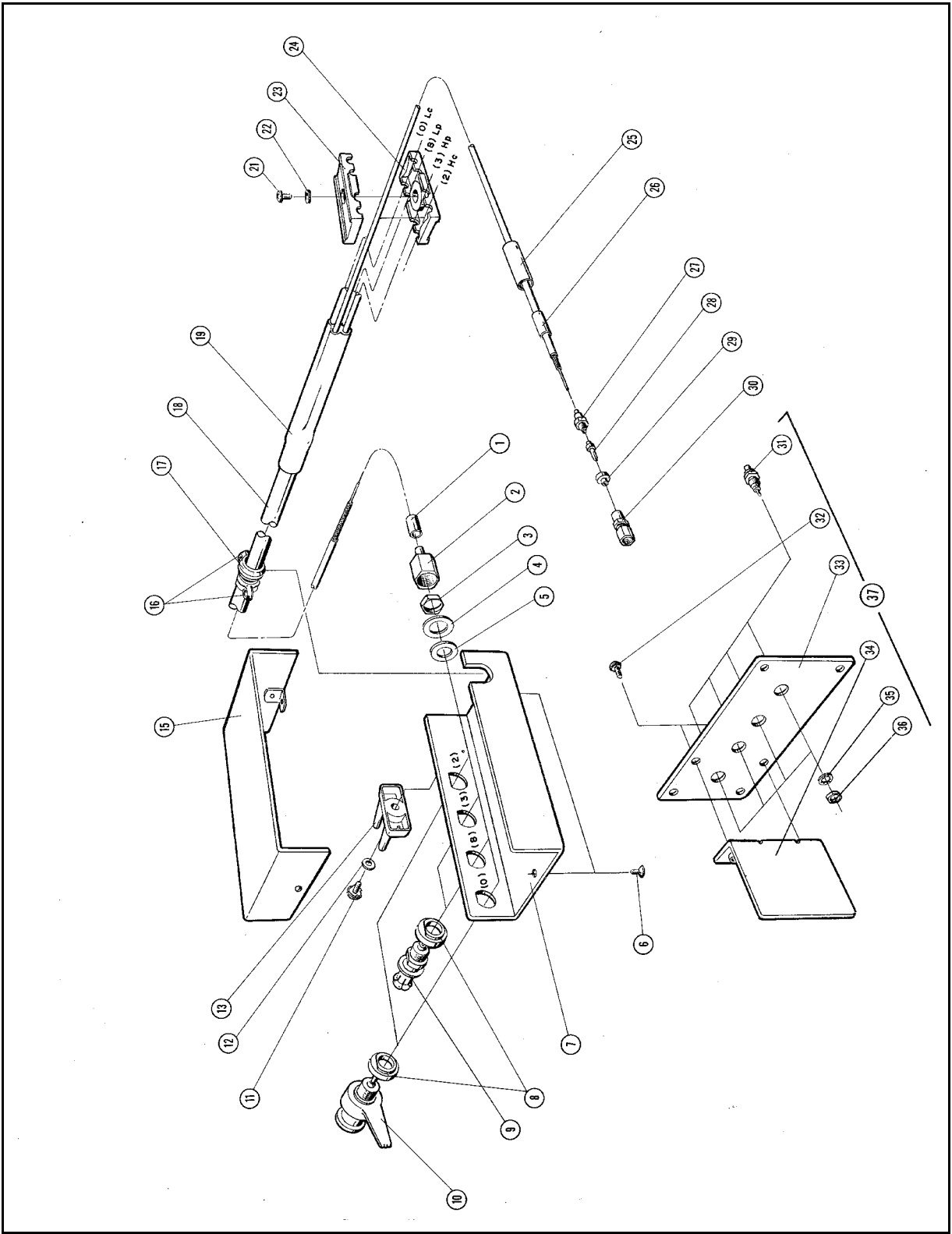


Figure 2-1. Replaceable Parts Identification

REGIONAL SALES AND SUPPORT OFFICES

For more information about Agilent Technologies test and measurement products, applications, services, and for a current sales office listing, visit our web site: <http://www.agilent.com/find/tmdir>. You can also contact one of the following centers and ask for a test and measurement sales representative. 11/29/99

United States:

Agilent Technologies
Test and Measurement Call Center
P.O.Box 4026
Englewood, CO 80155-4026
(tel) 1 800 452 4844

(fax) (61 3) 9272 0749
(tel) 0 800 738 378 (New Zealand)
(fax) (64 4) 802 6881

Canada:

Agilent Technologies Canada Inc.
5150 Spectrum Way
Mississauga, Ontario
L4W 5G1
(tel) 1 877 894 4414

Asia Pacific:

Agilent Technologies
24/F, Cityplaza One, 1111 King's Road,
Taikoo Shing, Hong Kong
(tel) (852)-3197-7777
(fax) (852)-2506-9284

Europe:

Agilent Technologies
Test & Measurement
European Marketing Organization
P.O.Box 999
1180 AZ Amstelveen
The Netherlands
(tel) (31 20) 547 9999

Japan:

Agilent Technologies Japan Ltd.
Call Center
9-1, Takakura-Cho, Hachioji-Shi,
Tokyo 192-8510, Japan
(tel) (81) 426 56 7832
(fax) (81) 426 56 7840

Latin America:

Agilent Technologies
Latin American Region Headquarters
5200 Blue Lagoon Drive, Suite #950
Miami, Florida 33126
U.S.A.
(tel) (305) 267 4245
(fax) (305) 267 4286

Australia/New Zealand:

Agilent Technologies Australia Pty Ltd
347 Burwood Highway
Forest Hill, Victoria 3131
(tel) 1-800 629 485 (Australia)



Artisan Technology Group is your source for quality new and certified-used/pre-owned equipment

- FAST SHIPPING AND DELIVERY
- TENS OF THOUSANDS OF IN-STOCK ITEMS
- EQUIPMENT DEMOS
- HUNDREDS OF MANUFACTURERS SUPPORTED
- LEASING/MONTHLY RENTALS
- ITAR CERTIFIED SECURE ASSET SOLUTIONS

SERVICE CENTER REPAIRS

Experienced engineers and technicians on staff at our full-service, in-house repair center

*InstraView*SM REMOTE INSPECTION

Remotely inspect equipment before purchasing with our interactive website at www.instraview.com ↗

WE BUY USED EQUIPMENT

Sell your excess, underutilized, and idle used equipment. We also offer credit for buy-backs and trade-ins. www.artisanng.com/WeBuyEquipment ↗

LOOKING FOR MORE INFORMATION?

Visit us on the web at www.artisanng.com ↗ for more information on price quotations, drivers, technical specifications, manuals, and documentation

Contact us: (888) 88-SOURCE | sales@artisanng.com | www.artisanng.com