



## Artisan Technology Group is your source for quality new and certified-used/pre-owned equipment

- FAST SHIPPING AND DELIVERY
- TENS OF THOUSANDS OF IN-STOCK ITEMS
- EQUIPMENT DEMOS
- HUNDREDS OF MANUFACTURERS SUPPORTED
- LEASING/MONTHLY RENTALS
- ITAR CERTIFIED SECURE ASSET SOLUTIONS

### SERVICE CENTER REPAIRS

Experienced engineers and technicians on staff at our full-service, in-house repair center

### *InstraView*<sup>SM</sup> REMOTE INSPECTION

Remotely inspect equipment before purchasing with our interactive website at [www.instraview.com](http://www.instraview.com) ↗

### WE BUY USED EQUIPMENT

Sell your excess, underutilized, and idle used equipment. We also offer credit for buy-backs and trade-ins. [www.artisanng.com/WeBuyEquipment](http://www.artisanng.com/WeBuyEquipment) ↗

### LOOKING FOR MORE INFORMATION?

Visit us on the web at [www.artisanng.com](http://www.artisanng.com) ↗ for more information on price quotations, drivers, technical specifications, manuals, and documentation

**Contact us:** (888) 88-SOURCE | [sales@artisanng.com](mailto:sales@artisanng.com) | [www.artisanng.com](http://www.artisanng.com)

# 32-Bit Digital Input/Output Module

## Agilent N2263A

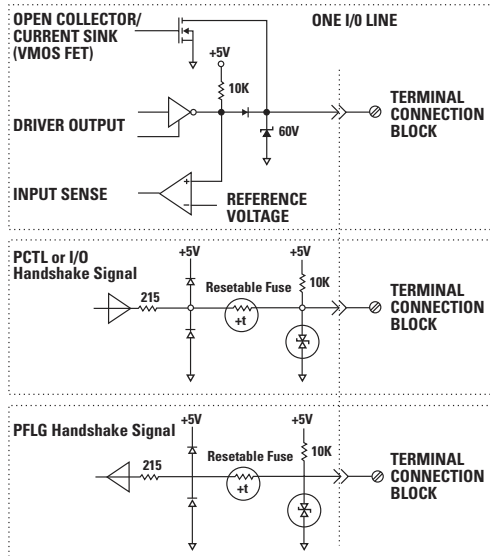
- TTL compatible, sinking up to 0.6 A
- Input /output configurable byte-by-byte
- Three I/O control modes: static, strobe, and handshake

The N2263A provides 32-bit bi-directional lines and three hand-shake and control lines. The 32-bit I/O lines are TTL compatible input/output, or TTL compatible input and open collector output up to 42 V. The 32-bit I/O lines can be addressed individually (byte-by-byte), either as a 32-bit port, four independent 8-bit ports, or as two independent 16-bit ports. A Zener diode is used in each channel for input voltage over-protection (> 42 VDC), including ESD protection.

Each I/O line can sink up to 0.6 A to control external devices, including:

- High-voltage/high current relays
- Microwave relays and attenuators (8710xx , 876xx and 849xx)
- Solenoid coils

The polarities of the I/O and handshake lines can be operated in positive or negative logic mode. With the three control lines (PCTL, I/O, and PFLG), you can define five handshake modes for communication with peripherals. The screw terminal block and DIN96-to-Twin-D50 cable are available for simple wiring.



## Specifications

### General Specifications

#### I /O Lines

##### Maximum Voltage(line-chassis):

+42 VDC

##### Maximum Sink Current(per bit):

0.6 A

#### Output Characteristics:

$V_{out} (high) \geq 2.4 V @ I \leq 10 mA$  output

$V_{out} (low) \leq 0.8 V @ I \leq 600 mA$  input

#### Input Characteristics:

$V_{in} (high) \geq 2.0 V$

$V_{in} (low) \leq 0.8 V$

### Handshake Lines

Maximum Voltage(line-chassis): +5 VDC

#### Output Characteristics:

$V_{out} (high) \geq 2.4 V @ I \leq 400 \mu A$  output

$V_{out} (low) \leq 0.5 V @ I \leq 1 mA$  input

$I_{out} (low) < 25 mA$   
( when shorted to + 5 V )

#### Input Characteristics:

$V_{in} (high) \geq 2.0 V$

$V_{in} (low) \leq 0.8 V$

### Module Accessories

N2293A Screw terminal block

N2297A DIN96-to-Twin-D50 cable

N2299A DIN96-to-Quad-D25 cable



## Artisan Technology Group is your source for quality new and certified-used/pre-owned equipment

- FAST SHIPPING AND DELIVERY
- TENS OF THOUSANDS OF IN-STOCK ITEMS
- EQUIPMENT DEMOS
- HUNDREDS OF MANUFACTURERS SUPPORTED
- LEASING/MONTHLY RENTALS
- ITAR CERTIFIED SECURE ASSET SOLUTIONS

### SERVICE CENTER REPAIRS

Experienced engineers and technicians on staff at our full-service, in-house repair center

### *InstraView*<sup>SM</sup> REMOTE INSPECTION

Remotely inspect equipment before purchasing with our interactive website at [www.instraview.com](http://www.instraview.com) ↗

### WE BUY USED EQUIPMENT

Sell your excess, underutilized, and idle used equipment. We also offer credit for buy-backs and trade-ins. [www.artisanng.com/WeBuyEquipment](http://www.artisanng.com/WeBuyEquipment) ↗

### LOOKING FOR MORE INFORMATION?

Visit us on the web at [www.artisanng.com](http://www.artisanng.com) ↗ for more information on price quotations, drivers, technical specifications, manuals, and documentation

**Contact us:** (888) 88-SOURCE | [sales@artisanng.com](mailto:sales@artisanng.com) | [www.artisanng.com](http://www.artisanng.com)