



Artisan Technology Group is your source for quality new and certified-used/pre-owned equipment

- FAST SHIPPING AND DELIVERY
- TENS OF THOUSANDS OF IN-STOCK ITEMS
- EQUIPMENT DEMOS
- HUNDREDS OF MANUFACTURERS SUPPORTED
- LEASING/MONTHLY RENTALS
- ITAR CERTIFIED SECURE ASSET SOLUTIONS

SERVICE CENTER REPAIRS

Experienced engineers and technicians on staff at our full-service, in-house repair center

*InstraView*SM REMOTE INSPECTION

Remotely inspect equipment before purchasing with our interactive website at www.instraview.com ↗

WE BUY USED EQUIPMENT

Sell your excess, underutilized, and idle used equipment. We also offer credit for buy-backs and trade-ins. www.artisanng.com/WeBuyEquipment ↗

LOOKING FOR MORE INFORMATION?

Visit us on the web at www.artisanng.com ↗ for more information on price quotations, drivers, technical specifications, manuals, and documentation

Contact us: (888) 88-SOURCE | sales@artisanng.com | www.artisanng.com

PRODUCT PROFILE

1761-NET-ENI AND 1761-NET-ENIW

EtherNet/IP Communication Interface

The 1761-NET-ENI provides EtherNet/IP connectivity for SLC™ 500, CompactLogix™ and MicroLogix™ controllers, as well as other DF1™ full-duplex devices. The ENI allows users to easily connect to new or existing Ethernet networks and upload/download programs, communicate between controllers, and generate Email messages via SMTP (simple mail transport protocol).

With the 1761-NET-ENIW you benefit from the same features of the ENI, and also gain fixed-format Web-server functionality, designed for easy integration with Allen-Bradley controllers. The Web-server features of the ENIW provide powerful read/write accessibility from the Internet, providing the ability to monitor and adjust machine operation from any Internet-connected computer.

As with other Allen-Bradley communication devices, the ENI can be powered via the RS-232™ communications cable when attached to a MicroLogix controller, or externally with 24V dc when connected to other DF1 full duplex devices. It can be DIN rail mounted, or panel mounted to meet virtually any installation requirement.

Both the ENI and the ENIW provide EtherNet/IP compatibility, allowing exchange of information with other Allen-Bradley Ethernet controllers in a peer-to-peer relationship, eliminating the need for a master type device.



FEATURES - ENI or ENIW

- 100 Base-T Port with embedded LEDs allows connection to your network through any standard RJ45 Ethernet cable, and embedded LEDs provide easy to see link and transmit/receive status.
- RS-232 port provides isolation and will autobaud on power up to detect the communications port setting of the attached controller.
- Ability to force Ethernet to 10 Mbps or 100 Mbps and half-duplex or full-duplex (default is Auto Negotiate).
- Configuration over Ethernet with a configuration security mask provision.
- Diagnostic page displays module information and Ethernet connections in use.

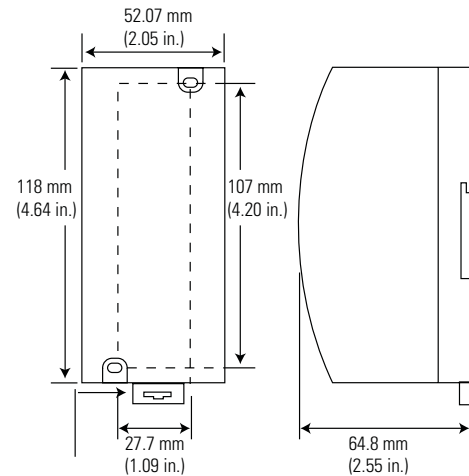
FEATURES - ENIW ONLY

- Fixed-format pages are easily customized using the new ENIW utility. No HTML programming skills are needed.
- Home page provides for user defined links to URLs, and most pages offer user defined page names.
- Four data view pages allow display of user text and integer/floating point data, and allow data to be written to the attached controller. Data writes may be password protected (one password per page). Data view pages provide for a user selectable update interval and update timer (indication of communications).
- Event page provides a log of events composed of up to 50 string elements.

SPECIFICATIONS

	1761-NET-ENI and 1761-NET-ENIW
100 Base-T(RJ45) Port	10/100M Hz
RS-232C Port	2400, 4800, 9600, 19.2K, 38.4K baud
Standards	IEC801-2, 3, 4, 5, 6
Power consumption	100mA @ 24V dc
Temperature (operation / storage)	0 to 60°C / -40 to 85°C
Operating Humidity	55% to 95% non-condensing
Standards and Regulatory Approvals	UL, C-UL, CE, Class 1 Div 2

DIMENSIONS FOR ENI AND ENIW



WEB PAGE AND UTILITY FOR ENIW

Page 1: APRS Current Process Values

Data Description	Writes from Controller	Writes to Controller
Manifold Pressure (PSI)	49	N50:00
Reference Cylinder Pressure (PSI)	39	N50:01
Nurse Tank Pressure (PSI)	28	N50:02
Differential Pressure (PSI)	62	N50:03
Nurse Tank Level (%)	62	N50:04
Compressor Status (1=ON / 0=OFF)	1	N50:05
Compressor Oil Pressure (PSI)	62	N50:06
Flow Rate (GPM)	0.000000	F51:00
Not Used	0.000000	F51:01
Not Used	0.000000	F51:02

Enter auto-refresh rate in seconds: 10

Password required to submit writes: DISABLE

Only values CHANGED will be affected

Write to Device

Clear all values

Update Timer: 0

Clear Values

Copyright © 2005 Rockwell Automation, Inc. All Rights Reserved.

ENI / ENIW Utility

Definition	Value
Page 1 Title	Page 1: APRS Current Process Values
Page 1 Password	1234
Page 2 Title	
Page 2 Password	

ENI / ENIW Utility

Location	Value
Page 1 Row 1 Name	Manifold Pressure (PSI)
Page 1 Row 2 Name	Reference Cylinder Pressure (PSI)
Page 1 Row 3 Name	Nurse Tank Pressure (PSI)
Page 1 Row 4 Name	Differential Pressure (PSI)
Page 1 Row 5 Name	Nurse Tank Level (%)

www.rockwellautomation.com

Power, Control and Information Solutions

Americas: Rockwell Automation, 1201 South Second Street, Milwaukee, WI 53204-2496 USA, Tel: (1) 414.382.2000, Fax: (1) 414.382.4444
 Europe/Middle East/Africa: Rockwell Automation SA/NV, Vorstlaan/Boulevard du Souverain 36, 1170 Brussels, Belgium, Tel: (32) 2 663 0600, Fax: (32) 2 663 0640
 Asia Pacific: Rockwell Automation, Level 14, Core F, Cyberport 3, 100 Cyberport Road, Hong Kong, Tel: (852) 2887 4788, Fax: (852) 2508 1846



Artisan Technology Group is your source for quality new and certified-used/pre-owned equipment

- FAST SHIPPING AND DELIVERY
- TENS OF THOUSANDS OF IN-STOCK ITEMS
- EQUIPMENT DEMOS
- HUNDREDS OF MANUFACTURERS SUPPORTED
- LEASING/MONTHLY RENTALS
- ITAR CERTIFIED SECURE ASSET SOLUTIONS

SERVICE CENTER REPAIRS

Experienced engineers and technicians on staff at our full-service, in-house repair center

*InstraView*SM REMOTE INSPECTION

Remotely inspect equipment before purchasing with our interactive website at www.instraview.com ↗

WE BUY USED EQUIPMENT

Sell your excess, underutilized, and idle used equipment. We also offer credit for buy-backs and trade-ins. www.artisanng.com/WeBuyEquipment ↗

LOOKING FOR MORE INFORMATION?

Visit us on the web at www.artisanng.com ↗ for more information on price quotations, drivers, technical specifications, manuals, and documentation

Contact us: (888) 88-SOURCE | sales@artisanng.com | www.artisanng.com