



## Artisan Technology Group is your source for quality new and certified-used/pre-owned equipment

- FAST SHIPPING AND DELIVERY
- TENS OF THOUSANDS OF IN-STOCK ITEMS
- EQUIPMENT DEMOS
- HUNDREDS OF MANUFACTURERS SUPPORTED
- LEASING/MONTHLY RENTALS
- ITAR CERTIFIED SECURE ASSET SOLUTIONS

### SERVICE CENTER REPAIRS

Experienced engineers and technicians on staff at our full-service, in-house repair center

### *InstraView*<sup>SM</sup> REMOTE INSPECTION

Remotely inspect equipment before purchasing with our interactive website at [www.instraview.com](http://www.instraview.com) ↗

### WE BUY USED EQUIPMENT

Sell your excess, underutilized, and idle used equipment. We also offer credit for buy-backs and trade-ins. [www.artisanng.com/WeBuyEquipment](http://www.artisanng.com/WeBuyEquipment) ↗

### LOOKING FOR MORE INFORMATION?

Visit us on the web at [www.artisanng.com](http://www.artisanng.com) ↗ for more information on price quotations, drivers, technical specifications, manuals, and documentation

**Contact us:** (888) 88-SOURCE | [sales@artisanng.com](mailto:sales@artisanng.com) | [www.artisanng.com](http://www.artisanng.com)



# Allen-Bradley BASIC Module User's Manual (Cat. No. 1771-DB)

## Use This Update With:

Publication 1771-6.5.34, BASIC Module (Cat. No. 1771-DB) User's Manual, dated July, 1987.

## Connecting a T1, T2, T3 or T4 Industrial Terminal to the Program Port

Use the following table to determine which keyboards you can use with your 1770-TA Monitor.

### 1770-TA Monitor

Terminal	Series A	Series B
1770-T3 Terminal 1770-FD Keyboard <sup>1</sup> Series A, Revision H	not applicable	Use Port C cable configuration. Refer to (figure 4.3) in your user's manual.
1770-T3 terminal 1770-FD Keyboard <sup>1</sup> Series C, Revision H	not applicable	Use Port C cable configuration. Refer to (figure 4.3) in your user's manual.
1770-T3 Terminal 1770-FD Keyboard <sup>1</sup> Series C, Revision H	not applicable	Use Port C cable configuration. Refer to (figure 4.3) in your user's manual.
1770-T1 Terminal 1770-FC Keyboard	Use Port B cable configuration. Refer to (figure 4.3B) below	2
1770-T1 Terminal 1770-FA Keyboard	Use Port B cable configuration. Refer to (figure 4.3B) below	2
1770-T4 Terminal 1770-FE Keyboard Series A, Revision F	not applicable	Use Port C cable configuration. Refer to (figure 4.3) in your user's manual.

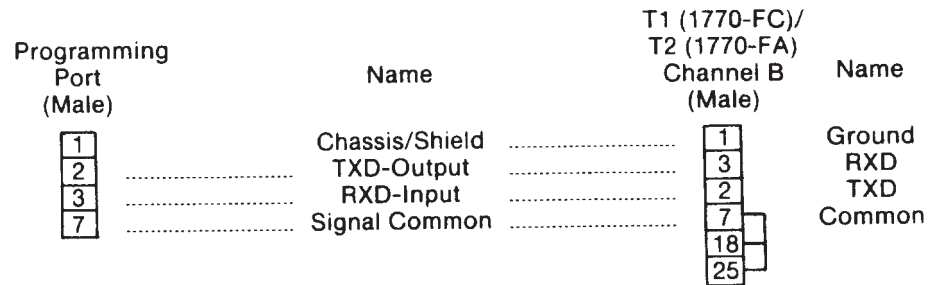
<sup>1</sup> If your firmware revision is earlier than the following you should update your keyboard to the latest revision

1770-FD Series A, Revision H  
1770-FD Series B, Revision H  
1770-FD Series C, Revision A  
1770-FE Series A, Revision F

<sup>2</sup> **Important:** Do not use a 1770-FC or 1770-FA keyboard with a 1770-TA, Series B monitor for this application. You cannot select Channel C as the main active port.

**Important:** Use the firmware revision level shown on the screen when the T3/T4 first powers up. Do not use the revision levels listed on the bottom of the keyboard or back of the T3/T4.

**Figure 4.3B**  
 Cable pinouts for connecting a 1771-db BASIC Module (Program Port) to a 1770-TA, Series A Monitor (1770-FC or 1770-FA keyboard).



**NOTE:** Chassis shield should be connected only at the terminal end.

**Note:** Pins 7, 18, 25 should be jumper wired together.

17662

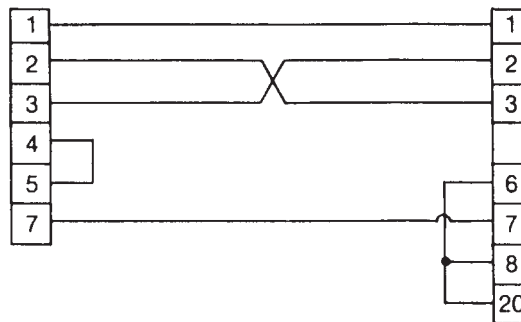
Replace Figure 4.6, “Cable Connection to 1770-HC Printer” with the following figure:

#### 4.4. Peripheral Port

**Figure 4.6**  
 Cable pinouts for connecting a 1771-DB BASIC Module to a 1770-HC Printer

1771-DB Peripheral Port  
 25-pin Male D-Shell

1770-HC Port J2  
 25-pin Male D-Shell



17663

**Important:** This cable does not support hardware handshaking.

#### 4.4.3 Connecting a 1770-SA/SB Recorder to the Peripheral Port

Change the figure references in section 4.4.3 from Figure 4.6 to 4.7.

#### 4.4.4 Connecting a 1770-HC Printer to the Peripheral Port

Change the figure reference in section 4.4.4 from Figure 4.7 to 4.6.

#### 4.4.5 Connecting RS-422 Devices

Insert the following paragraph between paragraphs 2 and 3 on page 4-12.

The following cables have 100 Ohm characteristic impedance. Use them for RS-422 applications. This is not a complete list of available 100 Ohm cables.

- Belden – 9729, 9804, 9829, 8162
- Consolidated – 5755, 5980, 5343
- Carol – C0829, C0804, C0841, C0500

#### 5.4.31 Statement: STRING

Replace the statement LET \$(1) "HELLO" with:

LET \$(1) = "HELLO"

#### 5.11 Memory Support Calls

Add the following Important note to section 5.11:

**Important:** If you use the ONTIME statement in your programs, refer to Section 5.4.20 for information about using ONTIME with PROGRAM EXECUTION TRANSFER CALLS.

#### 5.4.20 Statement: ONTIME [expr],[In num]

Add the following section at the end of section 5.4.20.

Using ONTIME with PROGRAM EXECUTION TRANSFER CALLS

The ONTIME feature uses the currently executing program as the basis to search for the subroutine line # associated with the ONTIME statement. If the ONTIME statement is executed and control switches to a different ROM or RAM Program File (e.g. via calls 70-72) then the ONTIME execution results in one of the 2 undesirable situations that follow:

1. The program picks up execution at the same line # in the currently executing program. This can cause unexpected program operation and machine operation.
2. The program terminates operation with an “invalid line number” error message, if the line # doesn't exist.

You can avoid this situation by:

1. disabling the ONTIME feature (with CLOCK 0) before changing to another program, then enabling it (with CLOCK 1) after returning or;
2. duplicating the ONTIME routine in all executed programs **at the same line number**. This assures that the routine is available for execution when any program executes.

### 6.3.1 PLC-Processor Program

Replace Figure 6.2, “Sample BASIC Module Program” with the following figure.

```
>5    DIM A(5)
>10   REM SET BTW LENGTH TO 5 WORDS
>20   PUSH 5:CALL 4
>30   REM SET BTR LENGTH TO 5 WORDS
>40   PUSH 5:CALL 5
>50   REM READ THE BTW BUFFER
>60   CALL 6
>70   REM CONVERT DATA FROM 3-DIGIT SIGNED BCD TO DB FORMAT
>80   FOR I=1 TO 5
>90   PUSH I: CALL 10: POP A(I)
>95   PRINT A(I),
>100  NEXT I
>110  REM DO A CALCULATION
>120  T=A(1)+A(2)+A(3) +A(4)+A(5):V=T/5
>125  PRINT "AVE=",V
>130  REM CONVERT DATA FROM DB FORMAT TO 3-DIGIT SIGNED BCD
>140  PUSH T:PUSH 1:CALL 20
>150  PUSH V:PUSH 2:CALL 20
>160  REM WRITE TO THE BTR BUFFER
>170  CALL 7
>180  REM CONTINUE TO BLOCK TRANSFER
>190  GOTO 60
>200  END
```

In Figure 6.3, “Sample PLC-2 Family Ladder Diagram”, change the following parts of the ladder diagram:

**In Rung 2:**

BLOCK LENGTH: 05  
FILE: 0205 - 0209

**In rung 3:**

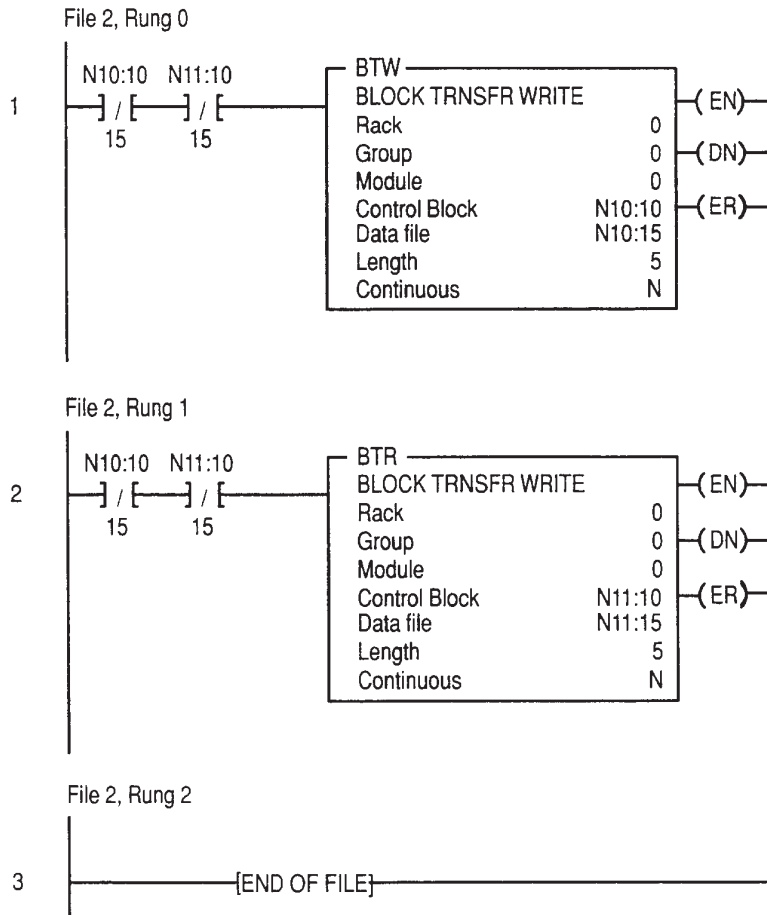
FILE LENGTH: 005  
FILE A: 0205-0209  
FILE R: 0210-0214  
RATE PER SCAN: 005

## 6.4 PLC-3 Family Processor

In Figure 6.5, “Sample PLC-3 Family Ladder Diagram”, change Rung Number RM2 from “LENGTH = 10” to “LENGTH = 5”. Change Rung Number RM3 from “LENGTH =2” to “LENGTH =5”.

## 6.5 PLC-5 Family Processor

Replace Figure 6.7, "Sample PLC-5 Family Ladder Logic", with the following figure:



As a subsidiary of Rockwell International, one of the world's largest technology companies — Allen-Bradley meets today's challenges of industrial automation with over 85 years of practical plant-floor experience. More than 11,000 employees throughout the world design, manufacture and apply a wide range of control and automation products and supporting services to help our customers continuously improve quality, productivity and time to market. These products and services not only control individual machines but integrate the manufacturing process, while providing access to vital plant floor data that can be used to support decision-making throughout the enterprise.

With offices in major cities worldwide

**WORLD HEADQUARTERS**  
Allen-Bradley  
1201 South Second Street  
Milwaukee, WI 53204 USA  
Tel: (1) 414 382-2000  
Telex: 43 11 016  
FAX: (1) 414 382-4444

**EUROPE/MIDDLE EAST/AFRICA HEADQUARTERS**  
Allen-Bradley Europe B.V.  
Amsterdamseweg 15  
1422 AC Uithoorn  
The Netherlands  
Tel: (31) 2975/43500  
Telex: (844) 18042  
FAX: (31) 2975/60222

**ASIA/PACIFIC HEADQUARTERS**  
Allen-Bradley (Hong Kong) Limited  
Room 1006, Block B, Sea View Estate  
28 Watson Road  
Hong Kong  
Tel: (852) 887-4788  
Telex: (780) 64347  
FAX: (852) 510-9436

**CANADA HEADQUARTERS**  
Allen-Bradley Canada Limited  
135 Dundas Street  
Cambridge, Ontario N1R 5X1  
Canada  
Tel: (1) 519 623-1810  
FAX: (1) 519 623-8930

**LATIN AMERICA HEADQUARTERS**  
Allen-Bradley  
1201 South Second Street  
Milwaukee, WI 53204 USA  
Tel: (1) 414 382-2000  
Telex: 43 11 016  
FAX: (1) 414 382-2400



## Artisan Technology Group is your source for quality new and certified-used/pre-owned equipment

- FAST SHIPPING AND DELIVERY
- TENS OF THOUSANDS OF IN-STOCK ITEMS
- EQUIPMENT DEMOS
- HUNDREDS OF MANUFACTURERS SUPPORTED
- LEASING/MONTHLY RENTALS
- ITAR CERTIFIED SECURE ASSET SOLUTIONS

### SERVICE CENTER REPAIRS

Experienced engineers and technicians on staff at our full-service, in-house repair center

### *InstraView*<sup>SM</sup> REMOTE INSPECTION

Remotely inspect equipment before purchasing with our interactive website at [www.instraview.com](http://www.instraview.com) ↗

### WE BUY USED EQUIPMENT

Sell your excess, underutilized, and idle used equipment. We also offer credit for buy-backs and trade-ins. [www.artisanng.com/WeBuyEquipment](http://www.artisanng.com/WeBuyEquipment) ↗

### LOOKING FOR MORE INFORMATION?

Visit us on the web at [www.artisanng.com](http://www.artisanng.com) ↗ for more information on price quotations, drivers, technical specifications, manuals, and documentation

**Contact us:** (888) 88-SOURCE | [sales@artisanng.com](mailto:sales@artisanng.com) | [www.artisanng.com](http://www.artisanng.com)